

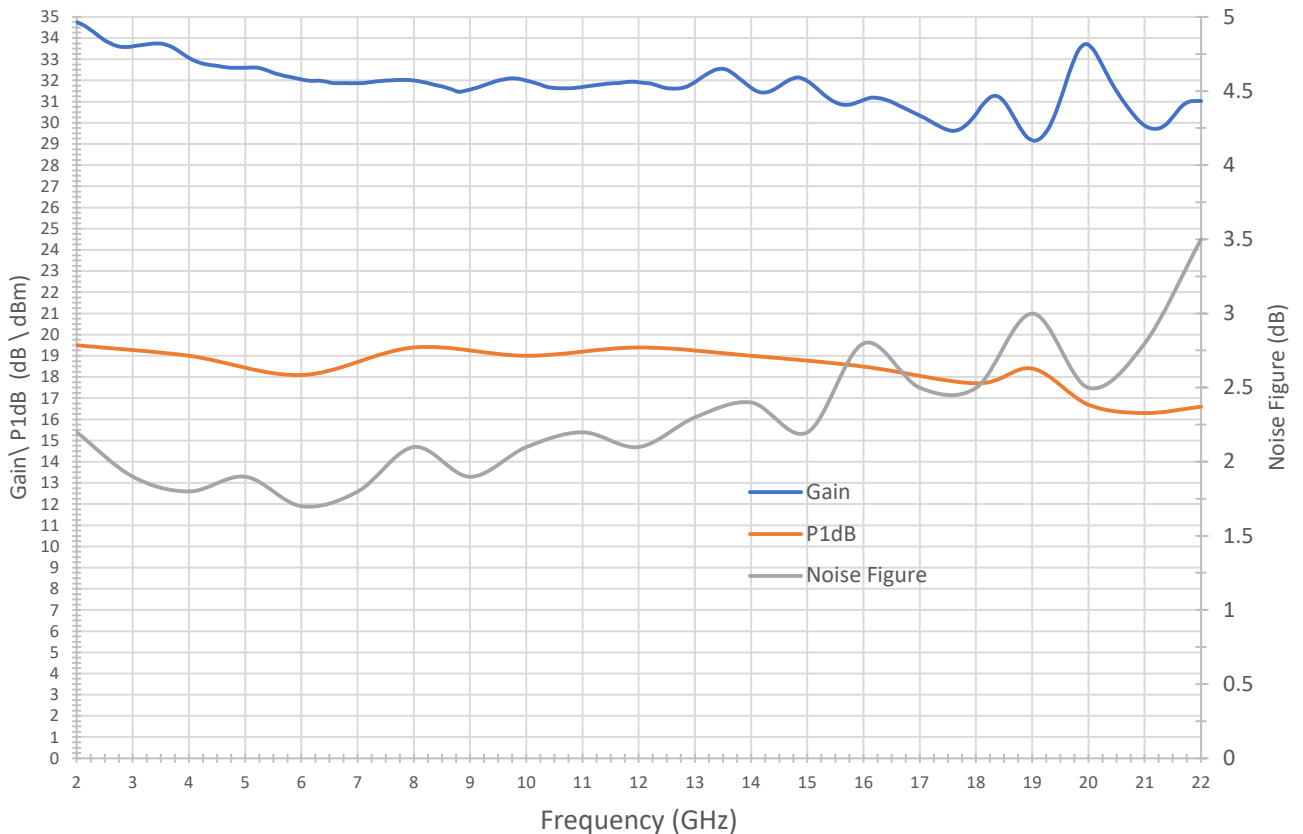
## 2-22 GHz Broadband Medium Power Amp & LNA

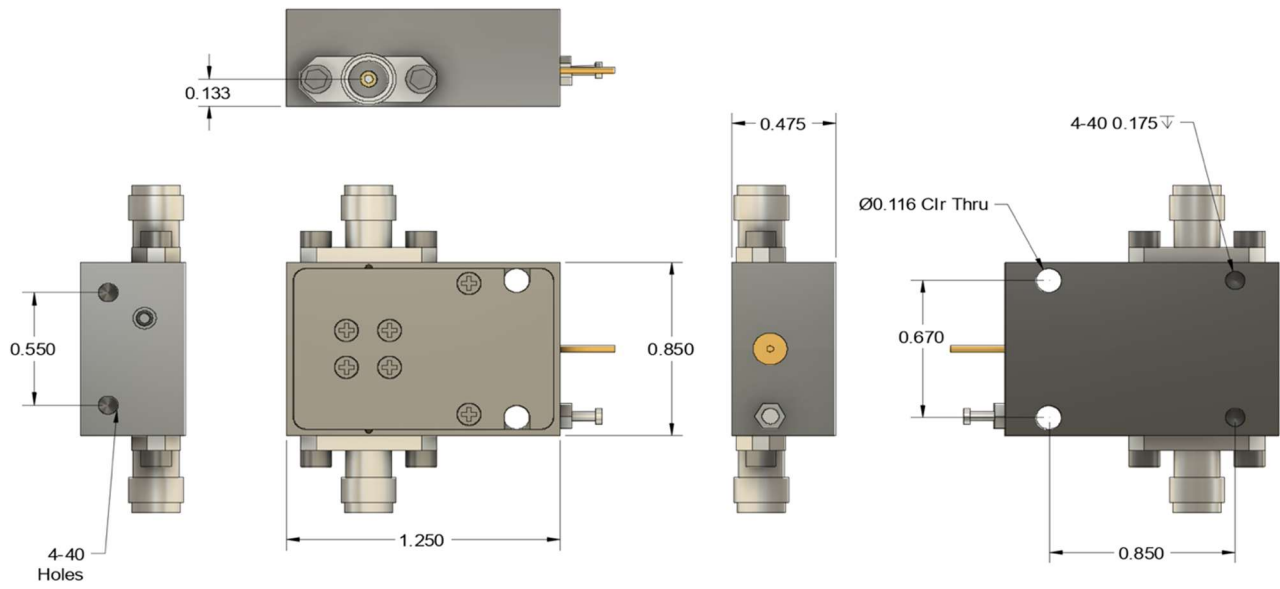
**P/N: QMC-AMPK-12203018HS**

- Low Noise Figure
- High Gain
- Broad Band Operation
- High Output Power

Parameter	Specification	Notes
Frequency	2 to 18 GHz	Functional 2 to 22 GHz
Gain	30 dB typ	
Input Return Loss	-8 dB typ	
Output Return loss	-15 dB typ	
Noise Figure	2.0 dB	3.0 dB max
P1dB	+18 dBm typ	+16 dBm min
Bias	+8 to +12 VDC	200 mA
Connectors	2.92mm(F) Output	2.92mm(F) Output

### Measured Data (Preliminary Response)





See Quantum Microwave part number QMC-HS for heatsink dimensions.