

# APPROVAL SHEET

## **MULTILAYER CERAMIC TRIPLEXER**

### **RFTIP Series – 2520(1008)- RoHS Compliance**

Halogens Free Product

500~960 MHz/ 1427~2690 MHz/ 3300~5925  
MHz Working Frequency

**P/N: RFTIP2506T10A8Q1C**

\*Contents in this sheet are subject to change without prior notice.

**FEATURES**

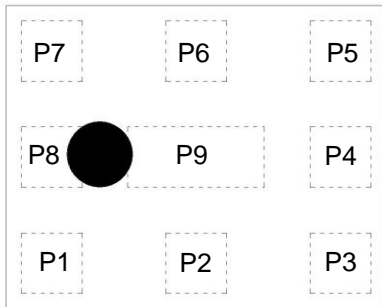
1. Miniature footprint: 2.5 X 2.0 X 0.65 mm<sup>3</sup>
2. Low Insertion Loss
3. High Rejection Rate
4. LTCC process

**APPLICATIONS**

1. LTE 500~960MHz / 1427~2690MHz / 3300~5925MHz working Frequency

**CONSTRUCTION**

TOP View



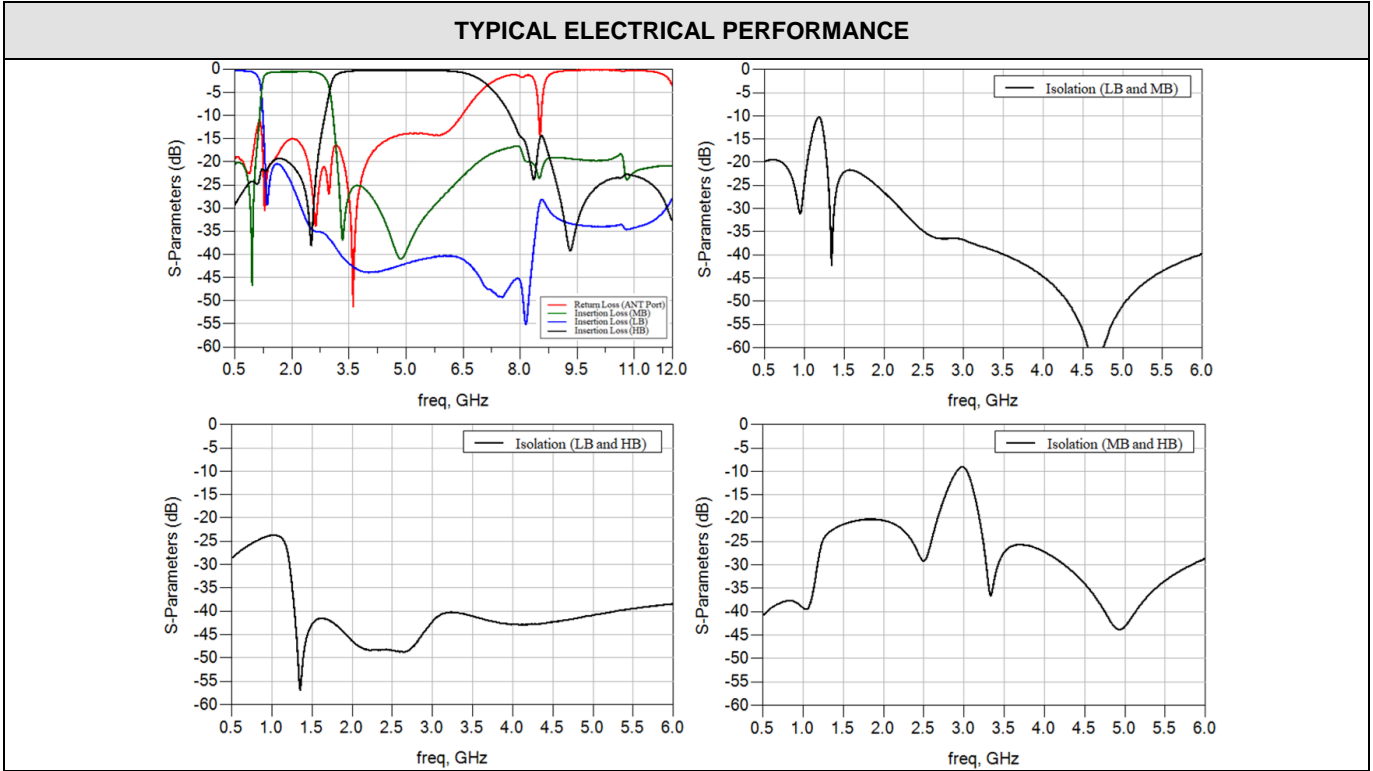
PIN	Connection	PIN	Connection
P1	High Band Port	P6	GND
P2	GND	P7	ANT Port
P3	Middle Band Port	P8	GND
P4	GND	P9	GND
P5	Low Band Port		

**DIMENSIONS**

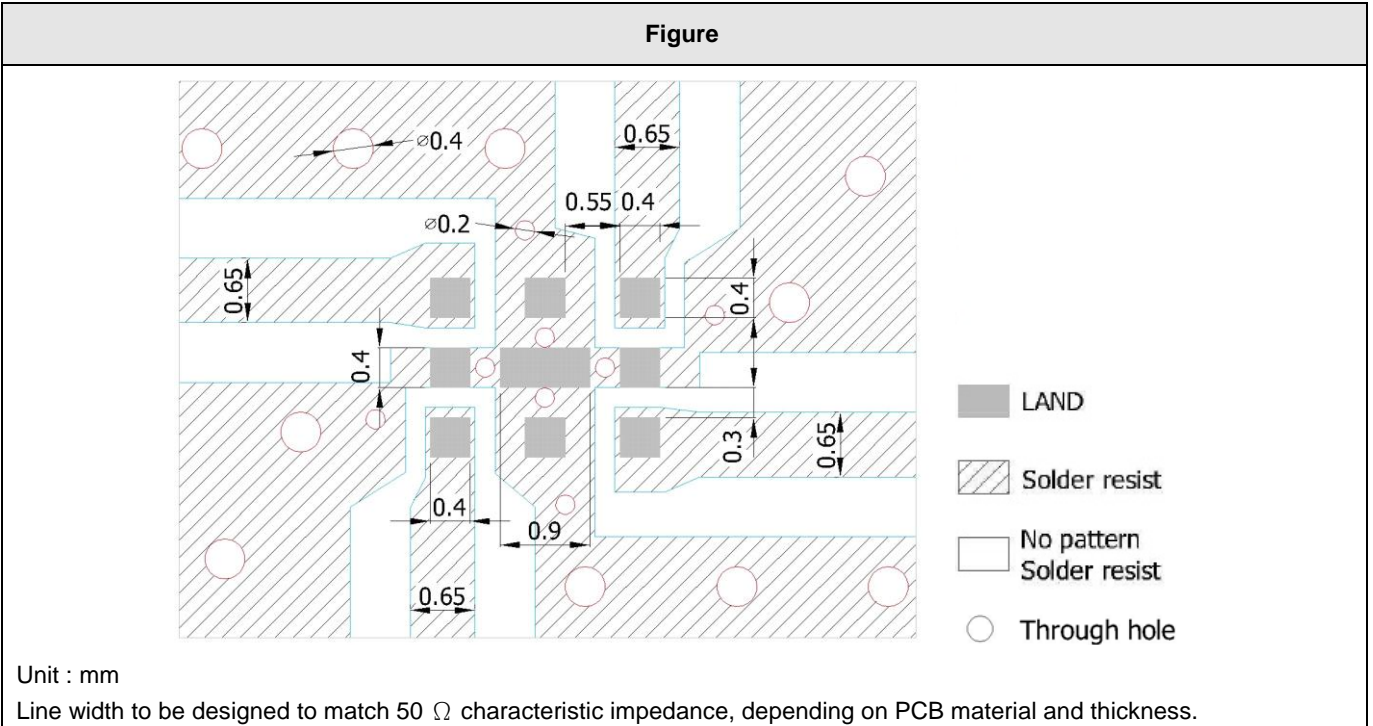
Figure	Symbol	Dimension (mm)
TOP view 	L	2.50 ± 0.15
	W	2.00 ± 0.15
Side view 	T	0.65 max.
	A	0.30 ± 0.10
Bottom view 	B	0.40 ± 0.10
	C	0.55 ± 0.10
Side view 	D	0.40 ± 0.10
	E	0.90 ± 0.10
	F	0.30 ± 0.10

**ELECTRICAL CHARACTERISTICS**

RFTIP2506T10A8Q1C	Specification		
Frequency range	500~960 MHz	1427~2690 MHz	3300~5925 MHz
Insertion Loss (at 25°C)	0.54 dB max. @500~798 MHz 0.60 dB max. @815~894 MHz 0.63 dB max. @880~915 MHz 0.65 dB max. @915~960 MHz	1.00 dB max. @1427~1511 MHz 0.85 dB max. @1710~1880 MHz 0.85 dB max. @1880~1920 MHz 0.85 dB max. @1930~2200 MHz 0.85 dB max. @2300~2400 MHz 1.00 dB max. @2496~2690 MHz	1.45 dB max. @3300~3400 MHz 0.95 dB max. @3400~3600 MHz 0.80 dB max. @3600~3800 MHz 0.70 dB max. @3800~4200 MHz 0.70 dB max. @4400~5000 MHz 0.80 dB max. @5150~5925 MHz
Insertion Loss (at -40~+85°C)	0.64 dB max. @500~798 MHz 0.70 dB max. @815~894 MHz 0.73 dB max. @880~915 MHz 0.75 dB max. @915~960 MHz	1.10 dB max. @1427~1511 MHz 0.95 dB max. @1710~1880 MHz 0.90 dB max. @1880~1920 MHz 0.95 dB max. @1930~2200 MHz 0.95 dB max. @2300~2400 MHz 1.10 dB max. @2496~2690 MHz	1.55 dB max. @3300~3400 MHz 1.05 dB max. @3400~3600 MHz 0.90 dB max. @3600~3800 MHz 0.80 dB max. @3800~4200 MHz 0.80 dB max. @4400~5000 MHz 0.90 dB max. @5150~5925 MHz
Attenuation	12.0 dB min. @1427~2690 MHz 24.0 dB min. @3300~3400 MHz 27.0 dB min. @3400~3800 MHz 30.0 dB min. @3800~4200 MHz 30.0 dB min. @4400~5000 MHz 30.0 dB min. @5150~5925 MHz	18.0 dB min. @ 500~960 MHz 9.0 dB min. @3300~3400 MHz 20.0 dB min. @3400~3800 MHz 20.0 dB min. @3800~4200 MHz 24.0 dB min. @4400~5000 MHz 21.0 dB min. @5150~5925 MHz	20.0 dB min. @ 500~960 MHz 11.0 dB min. @1427~2690 MHz 14.0 dB min. @10300~11850 MHz
Isolation (Middle to Low Band)	17.0 dB min. @ 500~960 MHz 14.0 dB min. @ 1427~2690 MHz 14.0 dB min. @ 3300~5925 MHz		
Isolation (High to Low Band)	20.0 dB min. @ 500~960 MHz 30.0 dB min. @ 1427~2690 MHz 30.0 dB min. @ 3300~5925 MHz		
Isolation (Middle to High Band)	30.0 dB min. @ 500~ 960 MHz 14.0 dB min. @ 1427~2690 MHz 11.0 dB min. @ 3300~5925 MHz		
VSWR	2.0 max.	2.0 max.	2.0 max.
Impedance	50 Ω		
Power Capacity	2.0 W max.		
Moisture sensitivity levels	LEVEL 1 (Refer to : IPC/JEDEC J-STD-020)		
<b>Operating &amp; Storage Condition (Component)</b> Operation Temperature Range: -40 ~ +85 °C Storage Temperature Range: -40 ~ +85 °C			
<b>Storage Condition before Soldering (Included packaging material)</b> Storage Temperature Range: +5 ~ +40 °C Humidity: 30 to 70% relative humidity			



**LAND PATTERN**



## RELIABILITY TEST

Test item	Test condition / Test method	Specification
Solderability JIS C 0050-4.6 JESD22-B102D	*Solder bath temperature : $235 \pm 5^{\circ}\text{C}$ *Immersion time : $2 \pm 0.5$ sec Solder : Sn3Ag0.5Cu for lead-free	At least 95% of a surface of each terminal electrode must be covered by fresh solder.
Resistance to soldering heat JIS C 0050-5.4	*Preheating temperature : $120\sim 150^{\circ}\text{C}$ , 1 minute. *Solder temperature : $270\pm 5^{\circ}\text{C}$ *Immersion time : $10\pm 1$ sec Solder : Sn3Ag0.5Cu for lead-free Measurement to be made after keeping at room temperature for $24\pm 2$ hrs	No mechanical damage. Electrical specification shall satisfy the descriptions in electrical characteristics under the operational temperature range within $-40 \sim 85^{\circ}\text{C}$ . Loss of metallization on the edges of each electrode shall not exceed 25%.
Drop Test JIS C 0044 Customer's specification.	*Height : 75 cm *Test Surface : Rigid surface of concrete or steel. *Times : 6 surfaces for each units : 2 times for each side.	No mechanical damage. Electrical specification shall satisfy the descriptions in electrical characteristics under the operational temperature range within $-40 \sim 85^{\circ}\text{C}$ .
Vibration JIS C 0040	*Frequency : $10\text{Hz}\sim 55\text{Hz}\sim 10\text{Hz}(1\text{min})$ *Total amplitude : 1.5mm *Test times : 6hrs.(Two hrs each in three mutually perpendicular directions)	No mechanical damage. Electrical specification shall satisfy the descriptions in electrical characteristics under the operational temperature range within $-40 \sim 85^{\circ}\text{C}$ .
Adhesive Strength of Termination JIS C 0051- 7.4.3	*Pressurizing force : 5N (LGA terminal series) ; $5\text{N}(\leq 0603)$ ; $10\text{N}(>0603)$ *Test time : $10\pm 1$ sec	No remarkable damage or removal of the termination.
Bending test JIS C 0051- 7.4.1	The middle part of substrate shall be pressurized by means of the pressurizing rod at a rate of about 1 mm/s per second until the deflection becomes 1mm/s and then pressure shall be maintained for $5\pm 1$ sec. Measurement to be made after keeping at room temperature for $24\pm 2$ hours	No mechanical damage. Electrical specification shall satisfy the descriptions in electrical characteristics under the operational temperature range within $-40 \sim 85^{\circ}\text{C}$ .

Temperature cycle JIS C 0025	<ol style="list-style-type: none"> <li>1. 30±3 minutes at -40°C±3°C,</li> <li>2. 10~15 minutes at room temperature,</li> <li>3. 30±3 minutes at +85°C±3°C,</li> <li>4. 10~15 minutes at room temperature,</li> </ol> Total 100 continuous cycles  Measurement to be made after keeping at room temperature for 24±2 hrs	No mechanical damage.  Electrical specification shall satisfy the descriptions in electrical characteristics under the operational temperature range within -40 ~ 85°C.
High temperature JIS C 0021	*Temperature : 85°C±2°C  *Test duration : 1000+24/-0 hours  Measurement to be made after keeping at room temperature for 24±2 hrs	No mechanical damage.  Electrical specification shall satisfy the descriptions in electrical characteristics under the operational temperature range within -40 ~ 85°C.
Humidity (steady conditions) JIS C 0022	*Humidity : 90% to 95% R.H.  *Temperature : 40±2°C  *Time : 1000+24/-0 hrs.  Measurement to be made after keeping at room temperature for 24±2 hrs  ※ 500hrs measuring the first data then 1000hrs data	No mechanical damage.  Electrical specification shall satisfy the descriptions in electrical characteristics under the operational temperature range within -40 ~ 85°C.
Low temperature JIS C 0020	*Temperature : -40°C±2°C  *Test duration : 1000+24/-0 hours  Measurement to be made after keeping at room temperature for 24±2 hrs	No mechanical damage.  Electrical specification shall satisfy the descriptions in electrical characteristics under the operational temperature range within -40 ~ 85°C.

**SOLDERING CONDITION**

Typical examples of soldering processes that provide reliable joints without any damage are given in Fig 2,

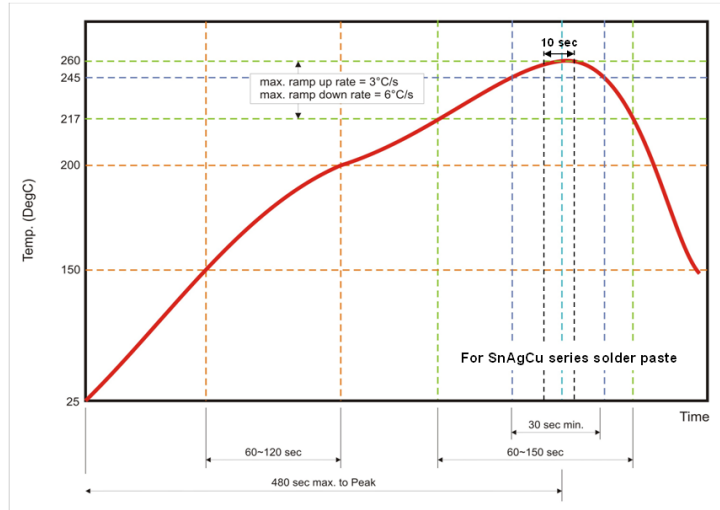


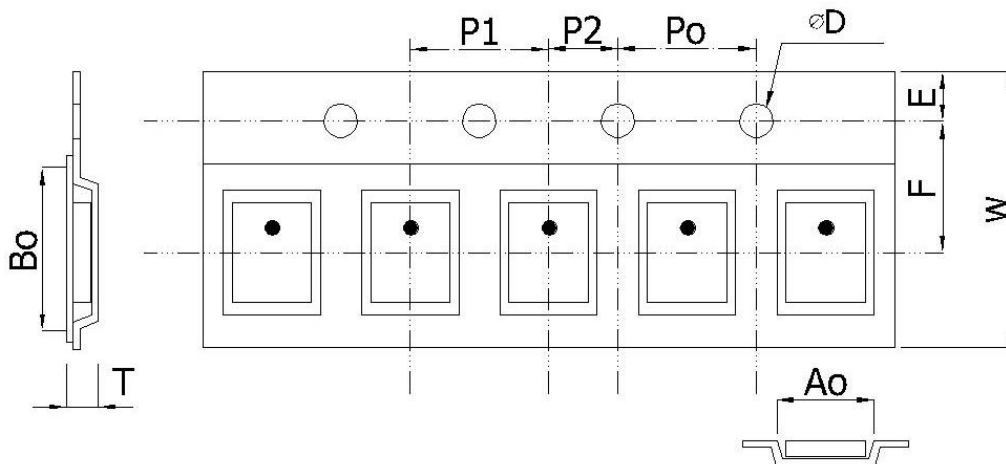
Fig 2. Infrared soldering profile

**ORDERING CODE**

RF	TIP	2506	T	10A8Q1C
Walsin RF device	<b>Product Code</b> TIP : TRIPLEXER	<b>Dimension code</b> Per 2 digits of Length, Width, Thickness : e.g. : 2506 = Length 2.5 mm, Width 2.0 mm, Thickness 0.65 mm	<b>Application</b> T: 500~960 MHz / 1427~2690 MHz / 3300~5925 MHz	<b>Specification</b> Design code

Minimum Ordering Quantity: 2000 pcs per reel.

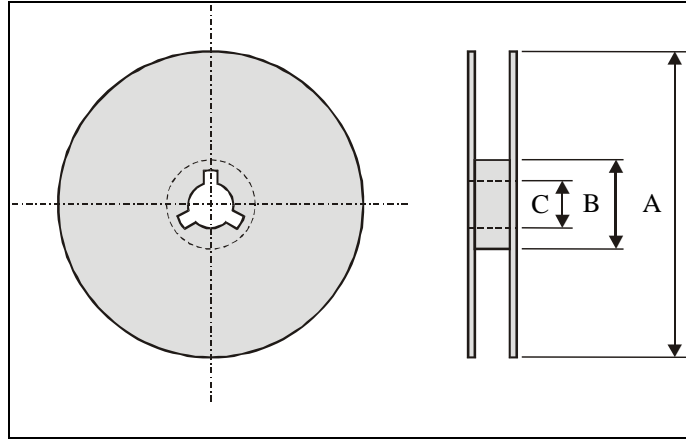
**PACKAGING**



Plastic Tape specifications (unit :mm)

Index	Ao	Bo	ΦD	T	W
Dimension (mm)	2.27 ± 0.10	2.74 ± 0.10	1.55 ± 0.05	1.18 ± 0.10	8.00 ± 0.10
Index	E	F	Po	P1	P2
Dimension (mm)	1.75 ± 0.10	3.50 ± 0.05	4.00 ± 0.10	4.00 ± 0.10	2.00 ± 0.05

## Reel dimensions



Index	A	B	C
Dimension (mm)	Φ178.0	Φ60.0	Φ13.0

Taping Quantity:2000 pieces per 7" reel

## CAUTION OF HANDLING

### Limitation of Applications

Please contact us before using our products for the applications listed below which require especially high reliability for the prevention of defects, which might directly cause damage to the third party's life, body or property.

- (1) Aircraft equipment
- (2) Aerospace equipment
- (3) Undersea equipment
- (4) Medical equipment
- (5) Disaster prevention / crime prevention equipment
- (6) Traffic signal equipment
- (7) Transportation equipment (vehicles, trains, ships, etc.)
- (8) Applications of similar complexity and /or reliability requirements to the applications listed in the above.

### Storage condition

- (1) Products should be used in 6 months from the day of WALSIN outgoing inspection.
- (2) Storage environment condition.
  - Products should be storage in the warehouse on the following conditions.
  - Temperature : +5 to +40°C
  - Humidity : 30 to 70% relative humidity
  - Don't keep products in corrosive gases such as sulfur. Chlorine gas or acid or it may cause oxidization of electrode, resulting in poor solderability.
  - Products should be storage on the palette for the prevention of the influence from humidity, dust and son on.
  - Products should be storage in the warehouse without heat shock, vibration, direct sunlight and so on.
  - Products should be storage under the airtight packaged condition.