

**MODEL:** CMS-402008-18SP | **DESCRIPTION:** SPEAKER**FEATURES**

- 1.5 W
- cloth cone
- solder terminals

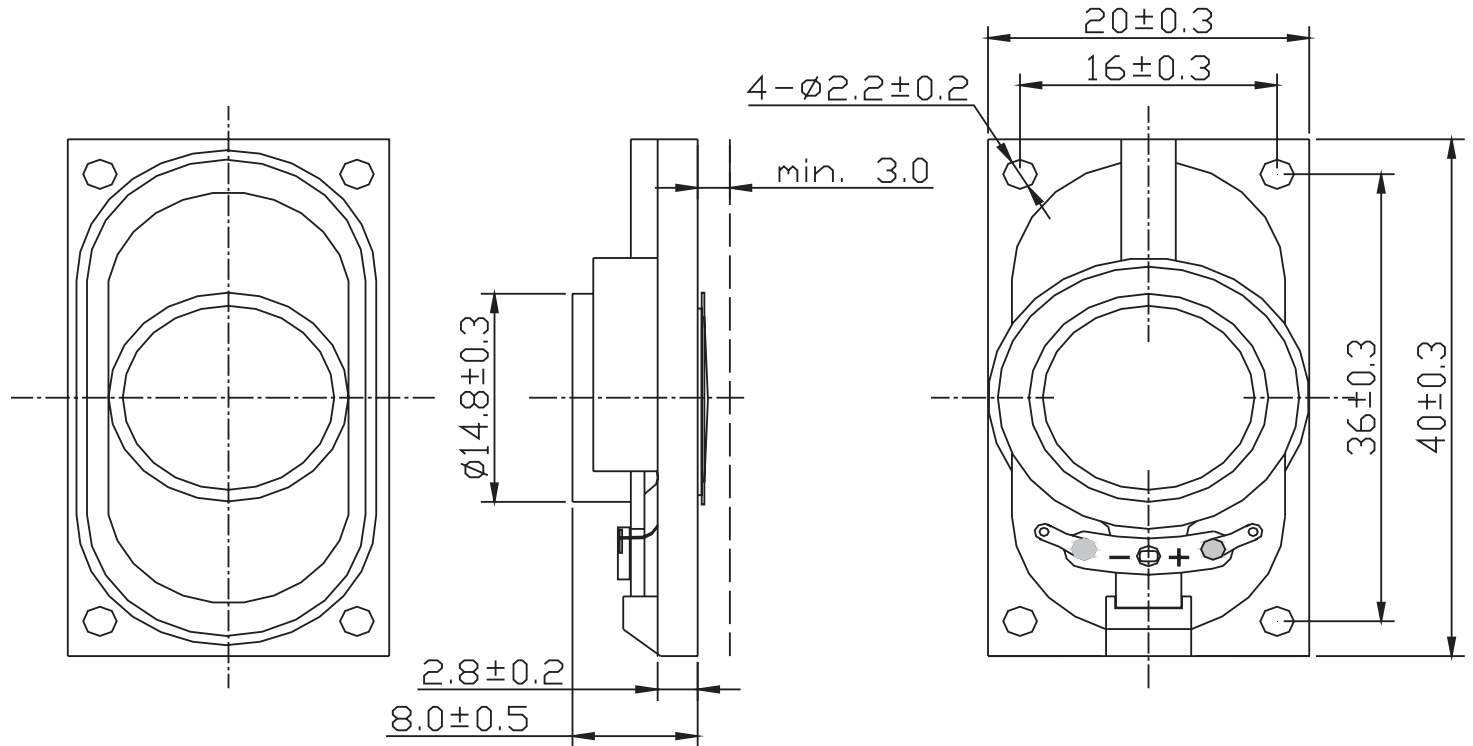
**SPECIFICATIONS**

parameter	conditions/description	min	typ	max	units
input power	max power: 1 minute on, 2 minutes off, 10 cycles		1.5	3.0	W
impedance	at 2.0 kHz, 1.0 Vrms	6.8	8	9.2	$\Omega$
resonant frequency (Fo)	at 1.0 Vrms	440	550	660	Hz
frequency response		200		20,000	Hz
sound pressure level	at 0.1 W, 10 cm, avg at 0.8, 1.0, 1.2, 1.5 kHz	85	88	91	dB
	at 1.0 W, 50 cm, avg at 0.8, 1.0, 1.2, 1.5 kHz	81	84	87	dB
distortion	at 1.0 kHz, 0.1 W			5	%
buzz, rattle, etc.	must be normal at sine wave, 0.1~2 kHz			2.53	V
polarity	cone moves forward w/ positive dc current to "+" terminal				
dimensions	40 x 20 x 8				mm
magnet	Nd-Fe-B				
frame material	ABS				
cone material	cloth				
terminal	solder terminals				
weight			7.6		g
operating temperature		-20		60	$^{\circ}\text{C}$
storage temperature		-30		70	$^{\circ}\text{C}$
hand soldering	for maximum 3 seconds			380	$^{\circ}\text{C}$
RoHS	yes				

Notes: 1. All specifications measured at 15~35 $^{\circ}\text{C}$ , humidity at 25~75%, under 86~106 kPa pressure, unless otherwise noted.

## MECHANICAL DRAWING

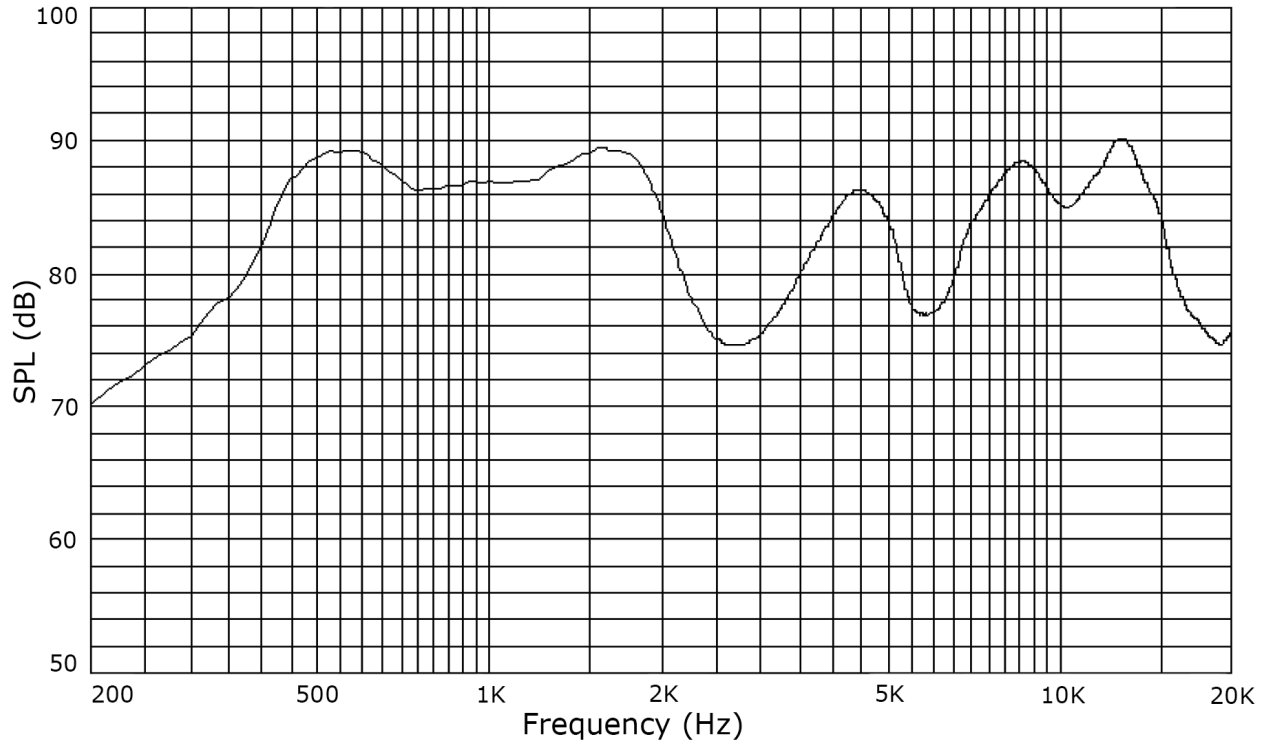
units: mm  
tolerance:  $\pm 0.3$  mm



## RESPONSE CURVES

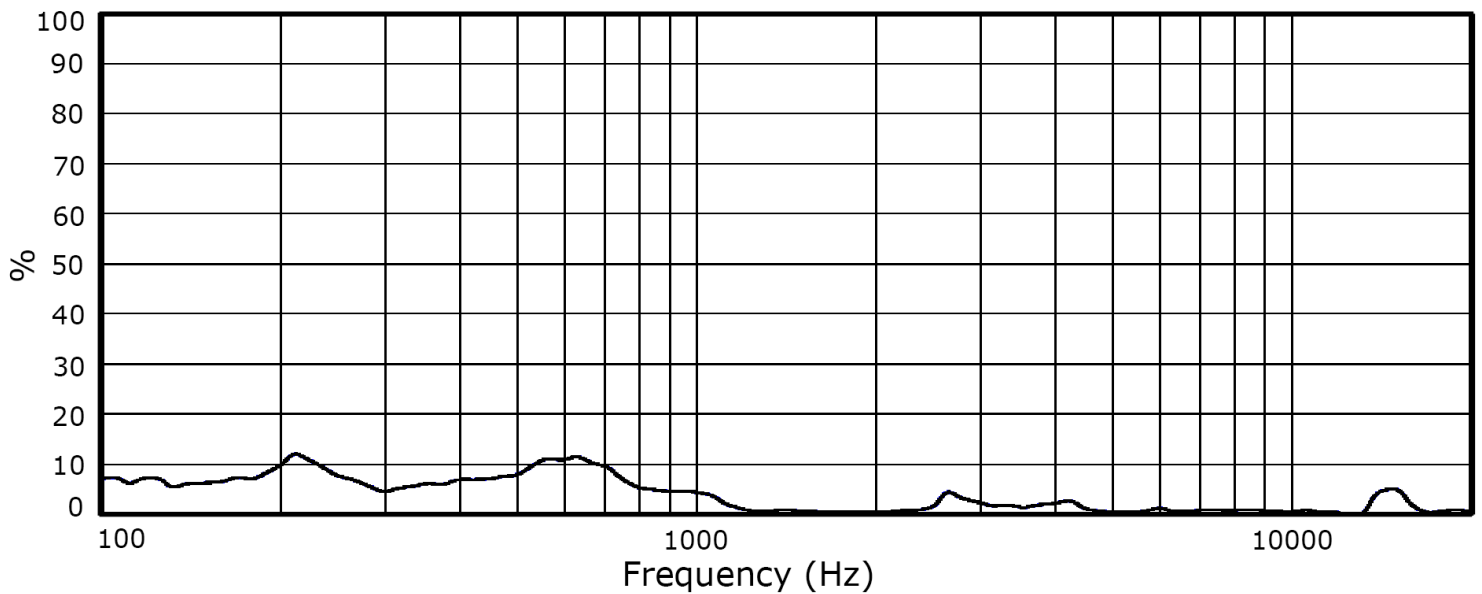
### Frequency Response Curve

Test Conditions: 0.1 W



### Total Harmonic Distortion Curve

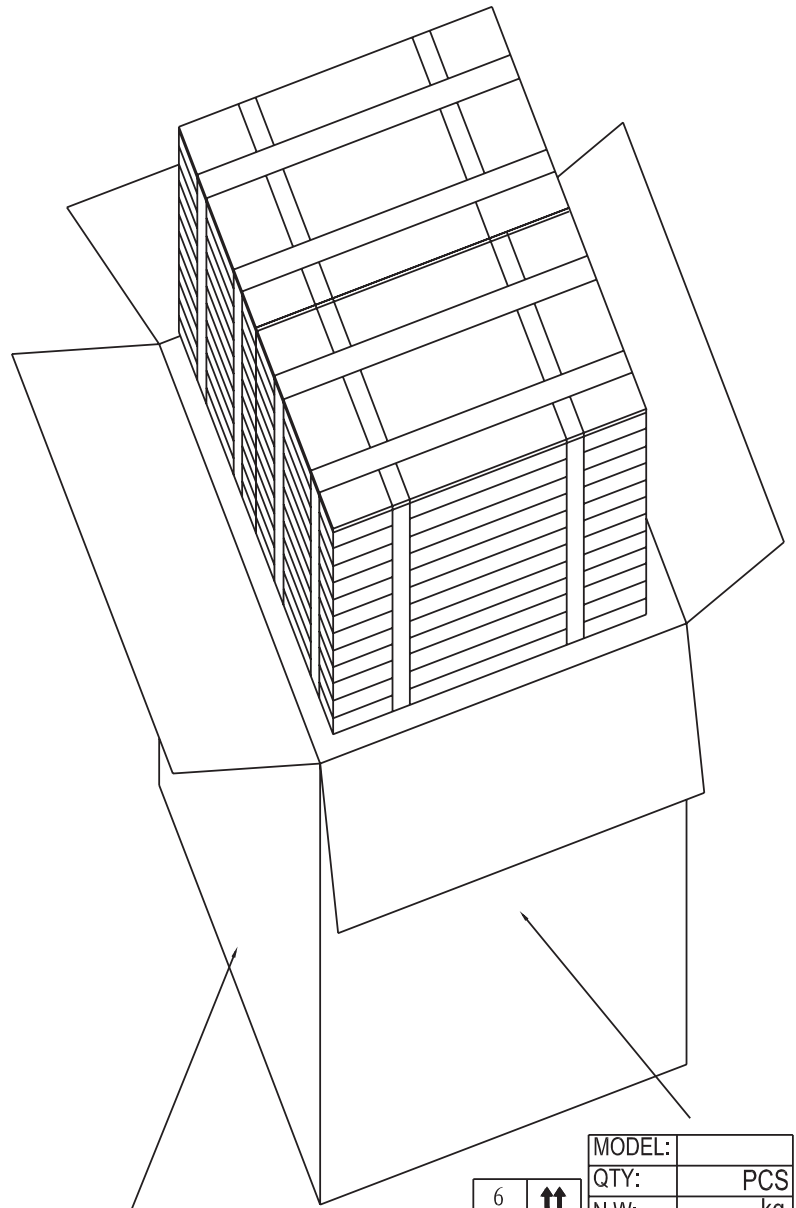
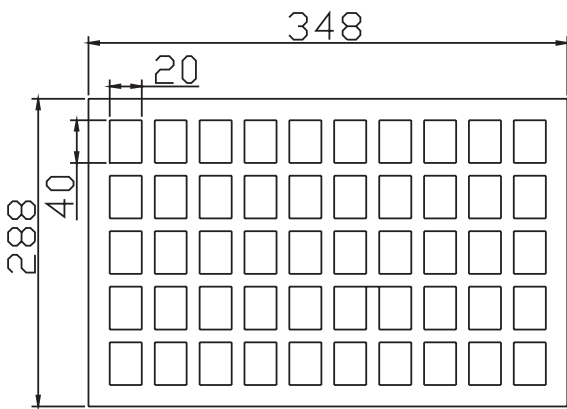
Test Conditions: 0.1 W



## PACKAGING

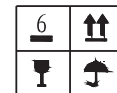
units: mm

Tray QTY: 50 pcs per tray  
 Carton Size: 600 x 370 x 205 mm  
 Carton QTY: 1,000 pcs per carton



TO:

C/N  /



MODEL:	
QTY:	PCS
N.W:	kg
G.W:	kg
SIZE:	600 x 370 x 205 mm
LOT NO	

## REVISION HISTORY

rev.	description	date
1.0	initial release	11/06/2019
1.01	brand update	01/21/2020
1.02	logo, datasheet style update	08/05/2022

The revision history provided is for informational purposes only and is believed to be accurate.



CUI Devices offers a one (1) year limited warranty. Complete warranty information is listed on our website.

CUI Devices reserves the right to make changes to the product at any time without notice. Information provided by CUI Devices is believed to be accurate and reliable. However, no responsibility is assumed by CUI Devices for its use, nor for any infringements of patents or other rights of third parties which may result from its use.

CUI Devices products are not authorized or warranted for use as critical components in equipment that requires an extremely high level of reliability. A critical component is any component of a life support device or system whose failure to perform can be reasonably expected to cause the failure of the life support device or system, or to affect its safety or effectiveness.

[cuidevices.com](http://cuidevices.com)