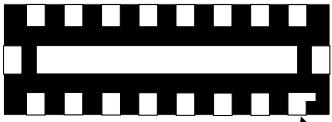
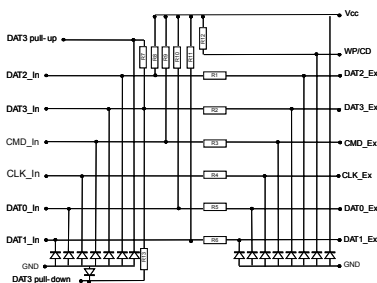


## 6-line IPAD EMI filter and ESD protection in micro QFN package



Micro QFN 16L 3.5 mm x 1.2 mm  
(bottom view)



### Features

- High design flexibility
- Lead free package
- Very low PCB space consuming: 3.5 mm x 1.2 mm
- Very thin package: 0.55 mm max.
- High efficiency in ESD suppression
- Complies with the following standards:
  - IEC 61000-4-2 level 4 on external pins
- High reliability offered by monolithic integration
- High reduction of parasitic elements through integration and  $\mu$ QFN packaging

### Applications

Where EMI filtering in ESD sensitive equipment is required:

- Portable devices
- Navigation systems
- Digital still cameras
- Industrial and medical devices

### Description

The EMIF06-MSD02N16 is a 6-line, highly integrated product designed to suppress EMI/RFI noise and protect against ESD all the devices implementing a SD card or a T-Flash card.

The EMIF06-MSD02N16 allows designers to choose either mechanical card detection of electrical card detection without any additional components.

By integrating 20 discrete components in a single DFN package of 4 mm<sup>2</sup>, the EMIF06-MSD02N16 provides a robust and immune space-saving solution to interface the connector and the controller of the SD card slot.

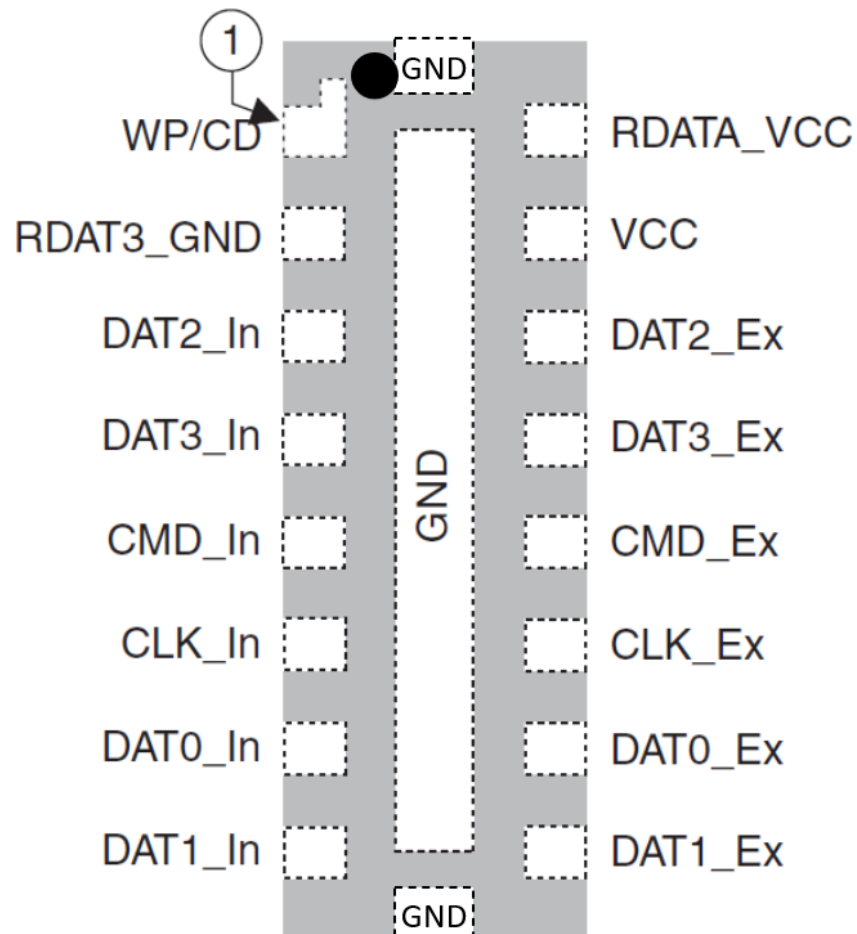
#### Product status

EMIF06-MSD02N16

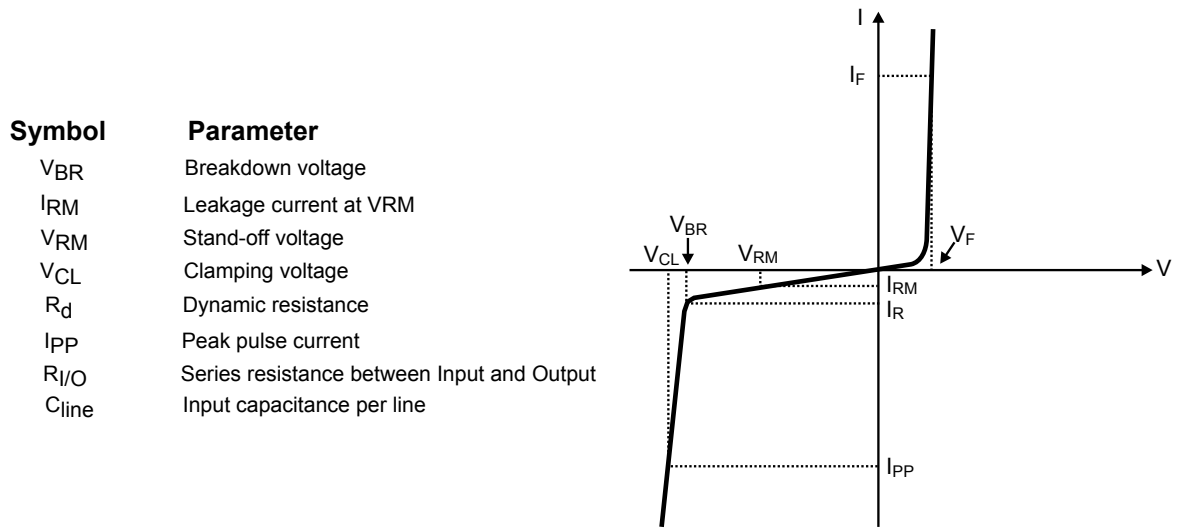
#### Product label



# 1 Characteristics

**Figure 1. Pin configuration**

**Table 1. Absolute maximum ratings (T<sub>amb</sub> = 25 °C)**

Symbol	Parameter	Value	Unit
V <sub>PP</sub>	ESD IEC 61000-4-2		
	Contact discharge:		
	<ul style="list-style-type: none"> <li>on DATx_In, CMD_In and CLK_In pins</li> <li>On all other pins</li> </ul>	±2 ±8	kV
T <sub>j</sub>	Air discharge:		
	<ul style="list-style-type: none"> <li>on DATx_In, CMD_In and CLK_In pins</li> <li>On all other pins</li> </ul>	±12 ±15	
	Maximum junction temperature	125	°C
T <sub>op</sub>	Operating temperature range	- 40 to + 85	°C
T <sub>stg</sub>	Storage temperature range	- 55 to + 150	°C

**Figure 2. Electrical characteristics (definitions)**

**Table 2. Electrical characteristics ( $T_{amb} = 25\text{ }^{\circ}\text{C}$ )**

Symbol	Test conditions	Min.	Typ.	Max.	Unit
$V_{BR}$	$I_R = 1\text{ mA}$	5		8	V
$I_{RM}$	$V_{RM} = 3\text{ V per line}$			200	nA
R1, R2, R3, R4, R5, R6	Series resistors - tolerance $\pm 20\%$	36	45	54	$\Omega$
R7, R8, R9, R10, R11, R12	Pull-up resistors	80	90	100	k $\Omega$
R13	Pull-down resistor - tolerance $\pm 20\%$	375	470	565	k $\Omega$
$C_{line}$	$V_{LINE} = 0\text{ V dc}$ , $V_{OSC} = 30\text{ mV}$ , $F = 1\text{ MHz}$			20	pF

### 1.1 Characteristics (curves)

Figure 3. S21 attenuation measurement

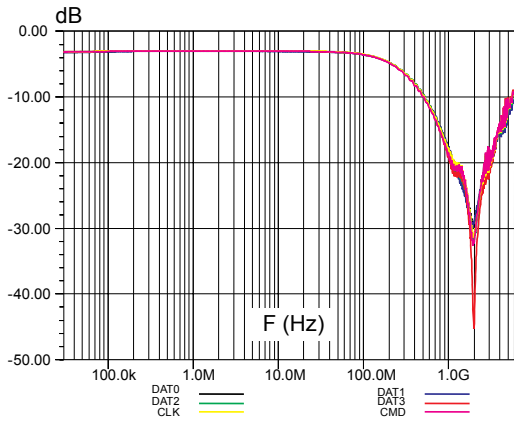


Figure 4. Analog cross talk measurements

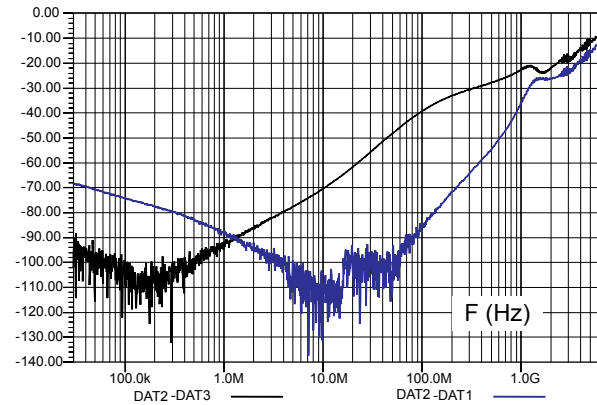


Figure 5. ESD response to IEC 61000-4-2 (+12 kV air discharge) on one input ( $V_{in}$ ) and on one output ( $V_{out}$ )

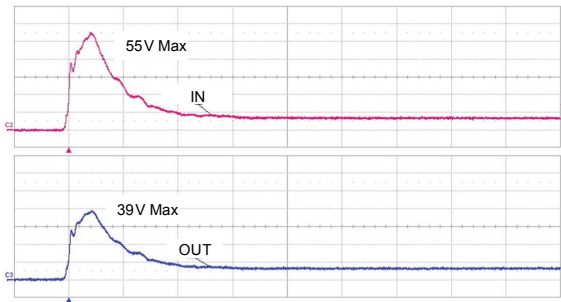


Figure 6. ESD response to IEC 61000-4-2 (-12 kV air discharge) on one input ( $V_{in}$ ) and on one output ( $V_{out}$ )

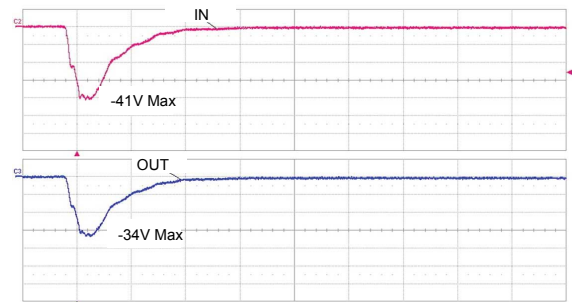
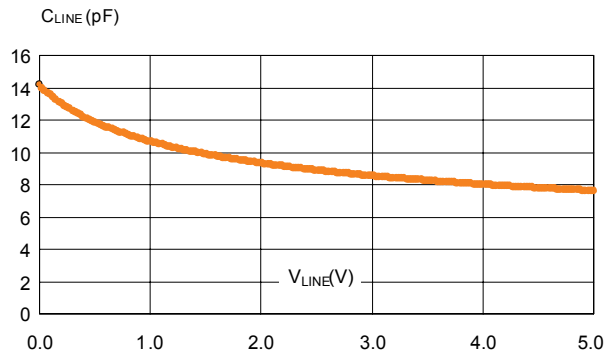


Figure 7. Line capacitance versus reverse voltage applied on DATx and CMD line



## 2 Application information

The EMIF06-mSD02N16 is a dedicated interface device for micro SD card/T-Flash card. The device provides:

- ESD protection
- EMI filtering
- Pull-up resistors
- Card detection circuit

### 2.1 ESD protection

Each pin is connected to a TVS diode able to withstand 12 kV on all pins except on DATx\_In, CMD\_In and CLK\_In.

### 2.2 EMI filtering

DATx, CMD and CLK lines are immunized against EMI radiations thanks to pi-filters. To avoid any degradation of the signal integrity at high frequency, the total line capacitance stays lower than 20 pF making the device compatible with a clock frequency up to 52 MHz.

### 2.3 Pull-up resistors

As recommended by the SD Specifications (Part 1 Physical Layer Version 2.00), all the data lines DATx and the CMD line must be pulled-up with resistors of 10 to 100 kΩ to avoid bus floating not only in SD 4-bit mode but also in SD 1-bit and SPI mode.

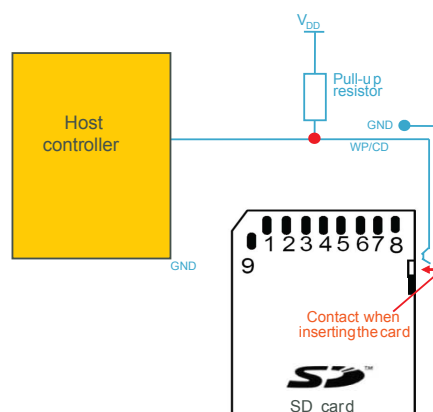
For the EMIF06-MSD02N16 device the pull-up resistor value has been fixed at 90 kΩ. This value makes the EMIF06-MSD02N16 compatible with most of the level shifters that may be used in the circuit including auto direction-sensing translators known to exhibit a weak current output.

### 2.4 Card detection circuit

The EMIF06-mSD02N16 provides the flexibility to use either mechanical card detection with a dedicated pin connected to the memory card slot or the electrical card detection using the internal pull-up resistor of DAT3 of the micro SD card/T-Flash card.

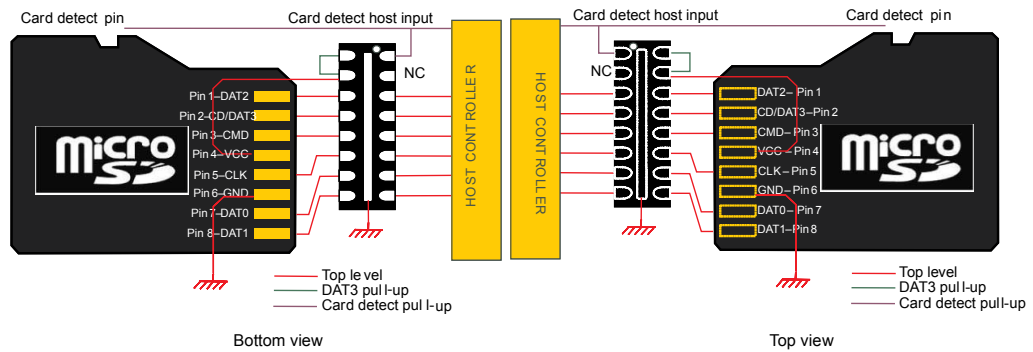
In case of mechanical card detection, the user must add a pull-up on the circuit connected to the CD (Card Detect) of the micro-SD/T-Flash slot as shown in Figure 8.

**Figure 8. Mechanical card detection**



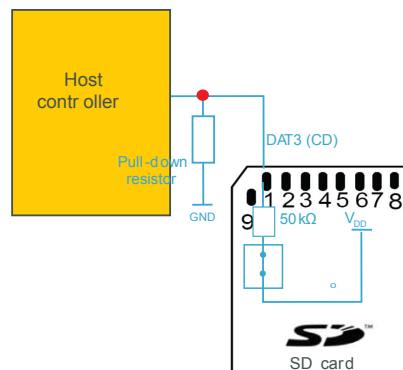
A pull-up of 90 kΩ is embedded into the EMIF06-MSD02N16. The routing corresponding to the mechanical card detection configuration is shown in Figure 9.

**Figure 9. Circuit routing for mechanical card detection**



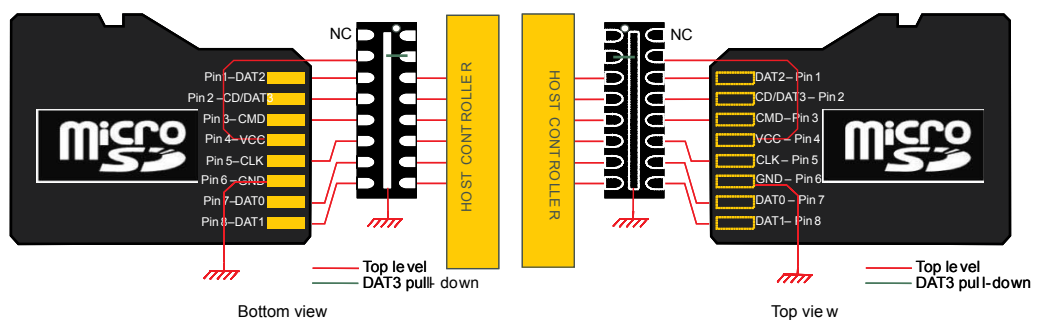
In case of electrical card detection, the user must add a pull-down on the circuit connected to the CD/DAT3 pin of the micro-SD/T-Flash pin as shown in Figure 10.

**Figure 10. Electrical card detection**



A pull-down of 470k is embedded into the EMIF06-mSD02N16. The routing corresponding to the electrical card detection configuration is shown in Figure 11.

**Figure 11. Circuit routing for electrical card detection**



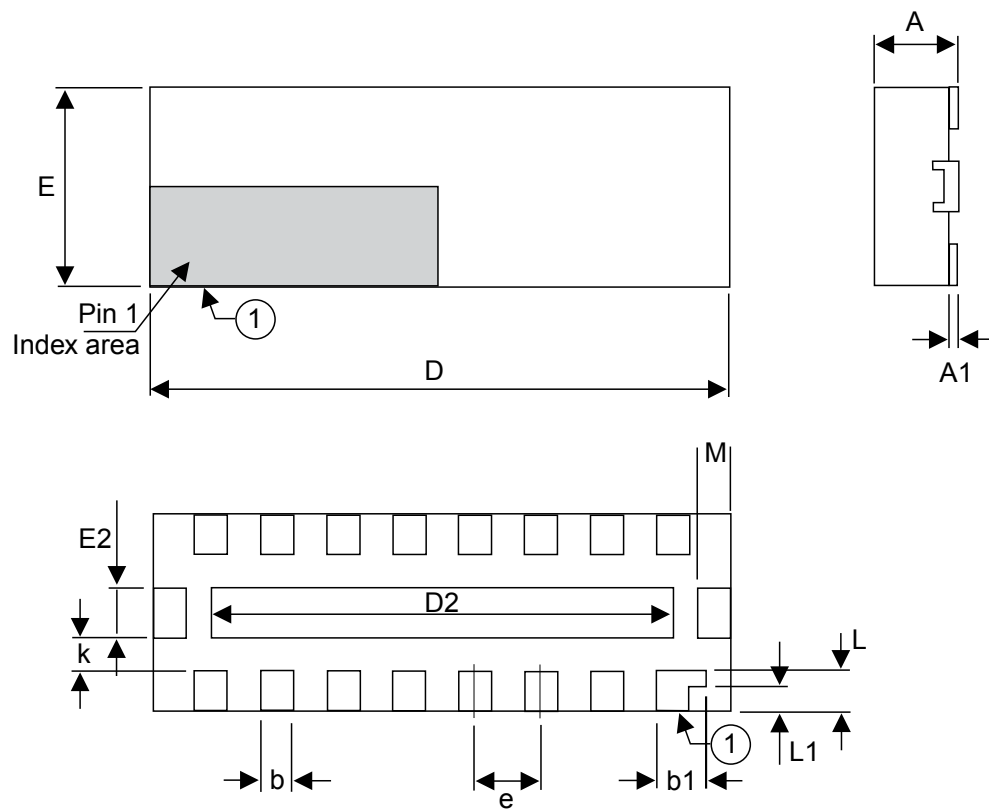
### 3 Package information

In order to meet environmental requirements, ST offers these devices in different grades of **ECOPACK** packages, depending on their level of environmental compliance. ECOPACK specifications, grade definitions and product status are available at: [www.st.com](http://www.st.com). ECOPACK is an ST trademark.

#### 3.1 Micro QFN 3.5x1.2-16L package information

- Epoxy meets UL94, V0

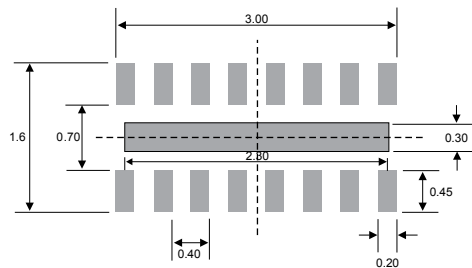
Figure 12. Micro QFN 3.5x1.2-16L package outline



**Table 3. Micro QFN 3.5x1.2-16L package mechanical data**

Ref.	Dimensions					
	Millimeters			Inches		
	Min.	Typ.	Max.	Min.	Typ.	Max.
A	0.45	0.50	0.55	0.018	0.020	0.022
A1	0.00		0.05	0.000		0.002
b	0.15	0.20	0.25	0.006	0.008	0.010
b1	0.25	0.30	0.35	0.010	0.012	0.014
D	3.45	3.50	3.55	0.136	0.138	0.140
D2	2.70	2.80	2.90	0.106	0.110	0.114
E	1.15	1.20	1.25	0.045	0.047	0.049
E2	0.20	0.30	0.40	0.008	0.012	0.016
e		0.40			0.016	
k		0.20			0.008	
L	0.20	0.25	0.30	0.008	0.010	0.012
L1		0.15			0.006	
M		0.20			0.008	

**Figure 13. Micro QFN 3.5x1.2-16L footprint (dimensions in mm)**



**Figure 14. Marking**

Dot : Pin 1 Identification  
 XX = Marking (see Table4)  
 WW = Data code (week)  
 Y = Data code (year)  
 P = Assembly plant

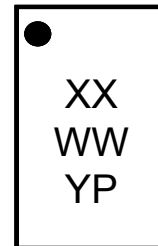
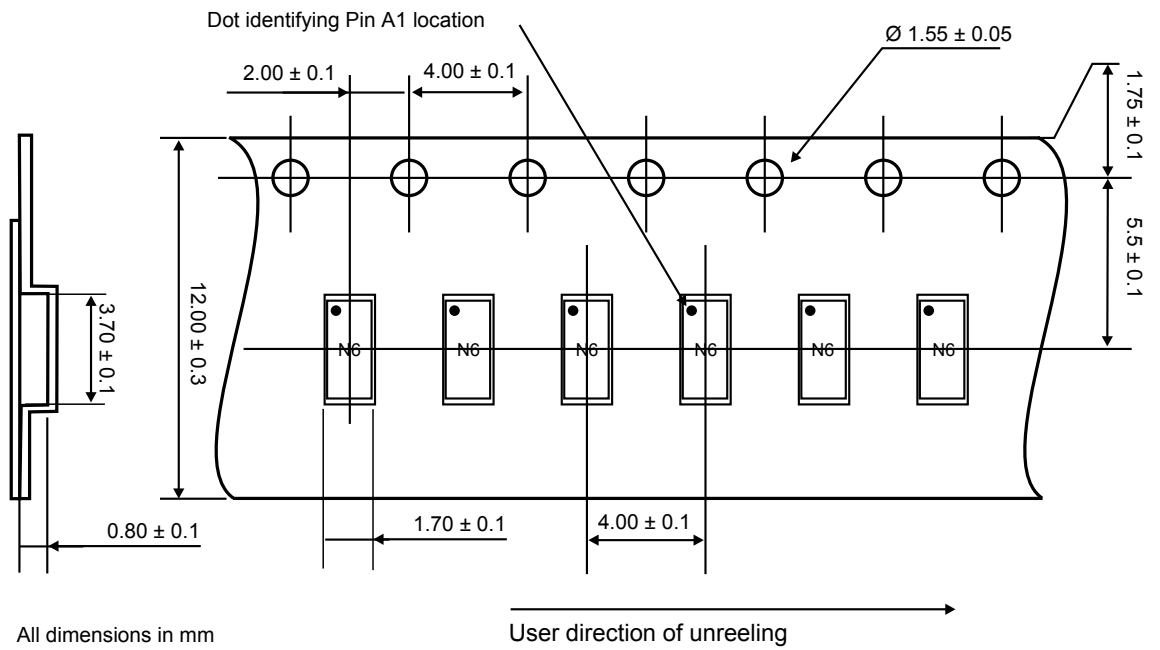




Figure 15. Tape and reel outline



In no case should the product marking be used to orient the component for its placement on a PCB. Only pin 1 mark is to be used for this purpose.

## 4 Recommendation on PCB assembly

### 4.1 Stencil opening design

1. General recommendation on stencil opening design
  - a. Stencil opening dimensions: L (Length), W (Width), T (Thickness).
2. General design rule
  - a. Stencil thickness (T) = 75 ~ 125  $\mu\text{m}$
  - b. Aspect ratio =  $\frac{W}{T} \geq 1.5$
  - c. Aspect area =  $\frac{L \times W}{2T(L + W)} \geq 0.66$
3. Reference design
  - a. Stencil opening thickness: 100  $\mu\text{m}$
  - b. Stencil opening for central exposed pad: Opening to footprint ratio is 50%.
  - c. Stencil opening for leads: Opening to footprint ratio is 90%.

Figure 16. Stencil opening dimensions

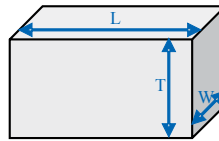
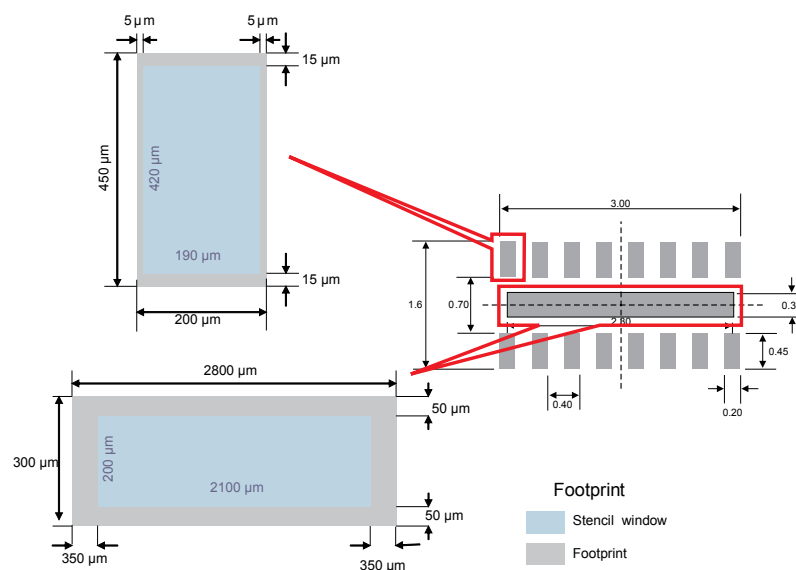


Figure 17. Recommended stencil window position



## 4.2 Solder paste

1. Halide-free flux qualification ROL0 according to ANSI/J-STD-004.
2. "No clean" solder paste is recommended.
3. Offers a high tack force to resist component movement during high speed.
4. Solder paste with fine particles: powder particle size is 20-45  $\mu\text{m}$ .

## 4.3 Placement

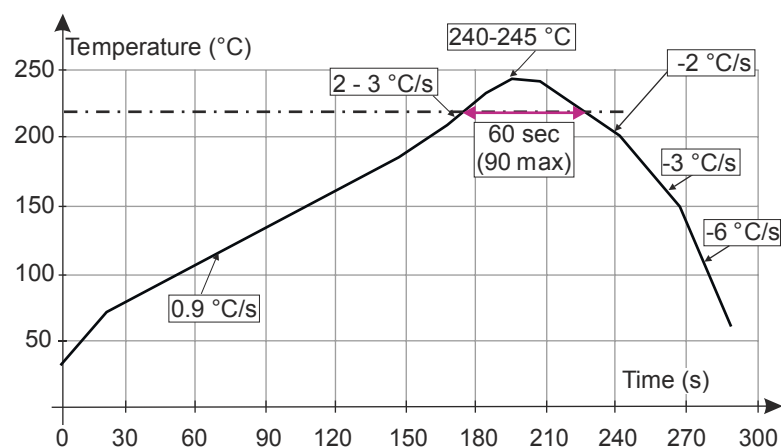
1. Manual positioning is not recommended.
2. It is recommended to use the lead recognition capabilities of the placement system, not the outline centering
3. Standard tolerance of  $\pm 0.05$  mm is recommended.
4. 3.5 N placement force is recommended. Too much placement force can lead to squeezed out solder paste and cause solder joints to short. Too low placement force can lead to insufficient contact between package and solder paste that could cause open solder joints or badly centered packages.
5. To improve the package placement accuracy, a bottom side optical control should be performed with a high resolution tool.
6. For assembly, a perfect supporting of the PCB (all the more on flexible PCB) is recommended during solder paste printing, pick and place and reflow soldering by using optimized tools.

## 4.4 PCB design preference

1. To control the solder paste amount, the closed via is recommended instead of open vias.
2. The position of tracks and open vias in the solder area should be well balanced. A symmetrical layout is recommended, to avoid any tilt phenomena caused by asymmetrical solder paste due to solder flow away.

## 4.5 Reflow profile

**Figure 18. ST ECOPACK<sup>®</sup> recommended soldering reflow profile for PCB mounting**



**Note:** Minimize air convection currents in the reflow oven to avoid component movement. Maximum soldering profile corresponds to the latest IPC/JEDEC J-STD-020.

## 5 Ordering information

Figure 19. Ordering information scheme

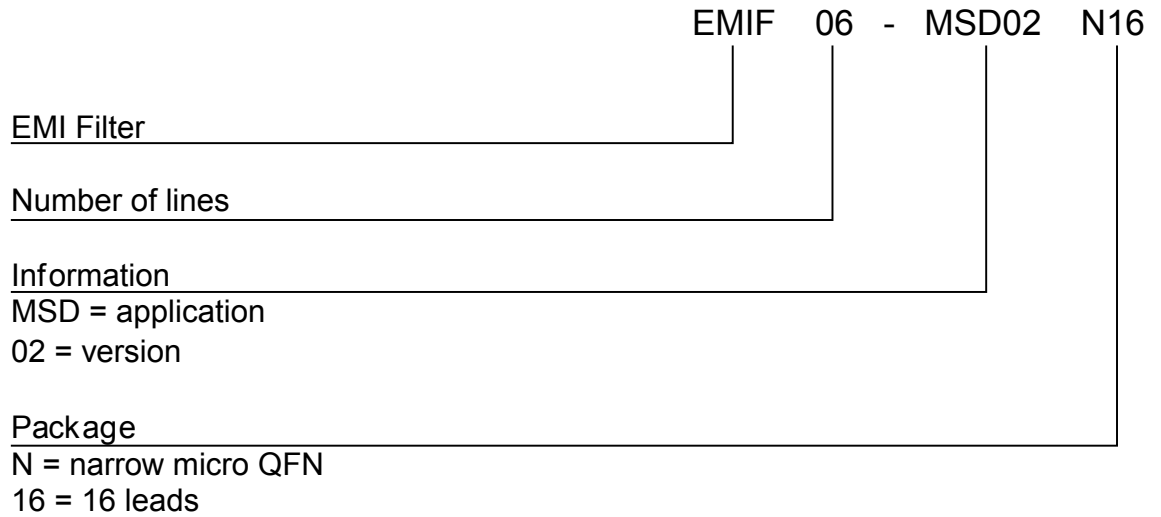


Table 4. Ordering information

Part number	Marking	Package	Weight	Base qty.	Delivery mode
EMIF06-MSD02N16	N6	Micro QFN	6.17 mg	3000	Tape and reel (7")

## Revision history

**Table 5. Document revision history**

Date	Version	Changes
21-Nov-2008	1	Initial release.
06-Sep-2019	2	Updated <a href="#">Table 3</a> . Minor text changed.
11-May-2020	3	Updated product links and product label.
05-Nov-2020	4	Updated <a href="#">Figure 1</a> .
20-Jan-2021	5	Updated <a href="#">Table 1</a> .
27-Apr-2021	6	Updated <a href="#">Table 1</a> .
01-Feb-2022	7	Updated Description, <a href="#">Figure 14</a> and <a href="#">Table 4</a> .

**IMPORTANT NOTICE – PLEASE READ CAREFULLY**

STMicroelectronics NV and its subsidiaries (“ST”) reserve the right to make changes, corrections, enhancements, modifications, and improvements to ST products and/or to this document at any time without notice. Purchasers should obtain the latest relevant information on ST products before placing orders. ST products are sold pursuant to ST’s terms and conditions of sale in place at the time of order acknowledgement.

Purchasers are solely responsible for the choice, selection, and use of ST products and ST assumes no liability for application assistance or the design of Purchasers’ products.

No license, express or implied, to any intellectual property right is granted by ST herein.

Resale of ST products with provisions different from the information set forth herein shall void any warranty granted by ST for such product.

ST and the ST logo are trademarks of ST. For additional information about ST trademarks, please refer to [www.st.com/trademarks](http://www.st.com/trademarks). All other product or service names are the property of their respective owners.

Information in this document supersedes and replaces information previously supplied in any prior versions of this document.

© 2022 STMicroelectronics – All rights reserved