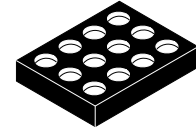


# IntelliMAX™ 28 V, Over-Voltage, Over-Current Protection Load Switch with Adjustable Current-Limit Control



WLCSP12 1.3x1.8x0.495  
 CASE 567RA

## FPF2595

### Description

The FPF2595 advanced load-management switch targets applications requiring a highly integrated solution. It disconnects loads powered from the DC power rail (<6 V) with stringent off-state current targets and high load capacitances (<100 μF). The FPF2595 consists of a slew-rate controlled low-impedance MOSFET switch (35 mΩ typical) and integrated analog features. The slew-rate controlled turn-on characteristic prevents inrush current and the resulting excessive voltage droop on power rails. FPF2595 has over-voltage protection and over-temperature protection.

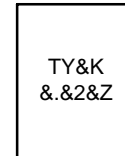
The FPF2595 has a True Reverse-Current Blocking (TRCB) function that obstructs unwanted reverse current from  $V_{OUT}$  to  $V_{IN}$  during ON and OFF states. The exceptionally low off-state current drain (<2 μA maximum) facilitates compliance with standby power requirements. The input voltage range operates from 2.5 V to 5.5 VDC to support a wide range of applications in consumer, optical, medical, storage, portable, and industrial-device power management. Switch control is managed by a logic input (active HIGH) capable of interfacing directly with low-voltage control signal / General-Purpose Input / Output (GPIO) without an external pull-down resistor.

The device is packaged in advanced, fully “green” compliant, 1.3 mm x 1.8 mm, Wafer-Level Chip-Scale Packages (WLCSP).

### Features

- $V_{IN}$ : 2.5 V~5.5 V
- 28 V Absolute Ratings at  $V_{OUT}$
- Current Capability: 3.9 A
  - ◆ Typ 0.1 A~3.5 A with 10% Accuracy
- $R_{ON}$ : Typ. 35 mΩ & Max. 50 mΩ at 5  $V_{IN}$  and 1 A  $I_{OUT}$
- Output OVP: Min. = 5.6 V, Typ. = 5.8 V, Max. = 6 V
- No Output Discharge During Off State
- Open-Drain OCP on FLAGB
- Thermal Shutdown
- Under-Voltage Lockout (UVLO)
- True Reverse-Current Blocking (TRCB)
- Logic CMOS IO Meets JESD76 Standard for GPIO Interface and Related Power Supply Requirements

### MARKING DIAGRAM



- TY = Device Code
- &K = 2-Digits Lot Run Traceability Code
- &. = Pin One Dot
- &2 = 2-Digit Date Code
- &Z = Assembly Plant Code

### ORDERING INFORMATION

See detailed ordering and shipping information on page 8 of this data sheet.

### Features (continued)

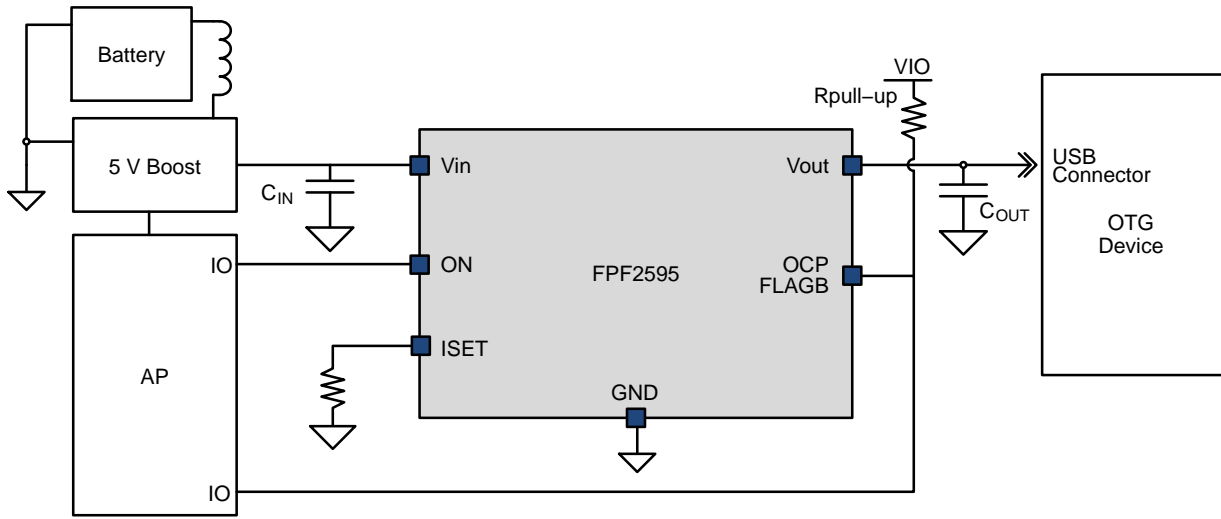
- ESD Protected:
  - ◆ Human Body Model: >2 kV
  - ◆ Charged Device Model: >1.0 kV
  - ◆ IEC61000-4-2 Air Discharge: >15 kV
  - ◆ IEC61000-4-2 Contact Discharge: >8 kV
- This is a Pb-Free Device

### Applications

- Type C Power Source Switch
- Computing, Monitor
- Portable Devices

# FPF2595

## APPLICATION DIAGRAM



NOTE:

1.  $C_{IN}$  and  $C_{OUT}$  capacitors recommended for improvement of device stability.

Figure 1. Typical Application

## FUNCTIONAL BLOCK DIAGRAM

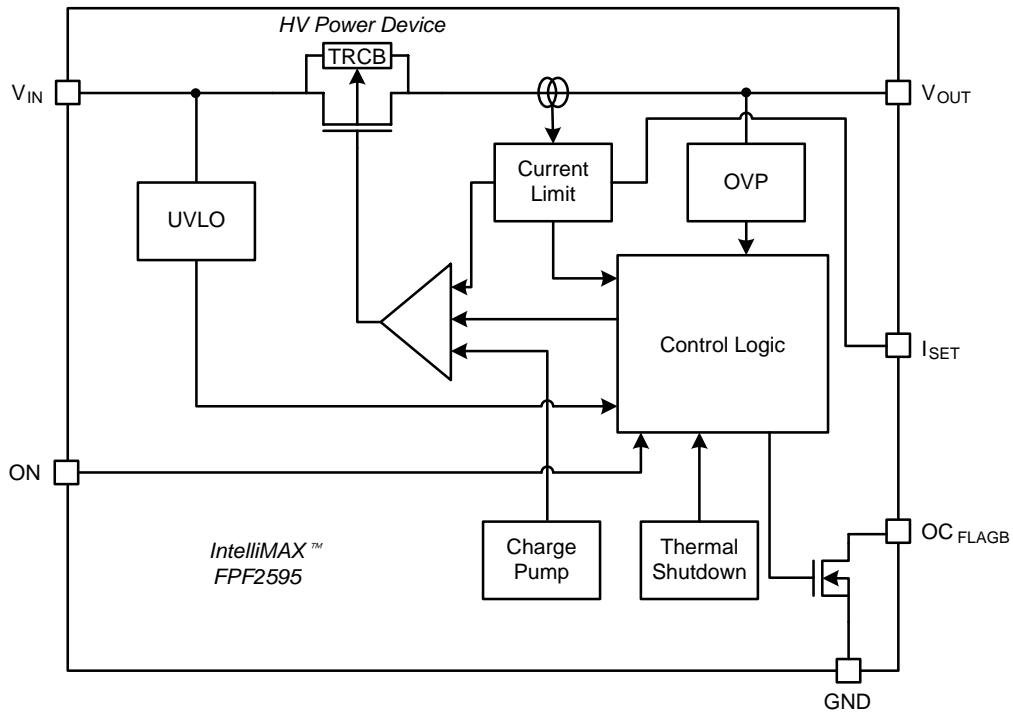


Figure 2. Functional Block Diagram

# FPF2595

## PIN CONFIGURATIONS

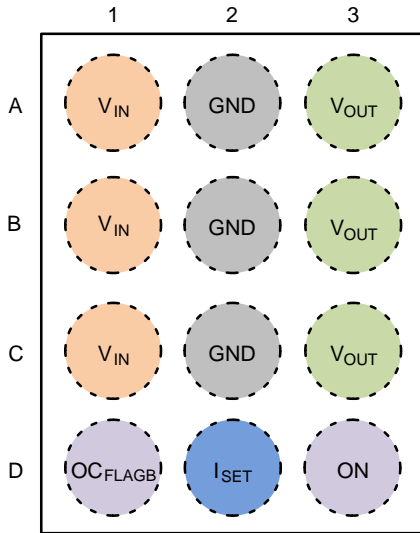


Figure 3. Pin Assignments (Top View)

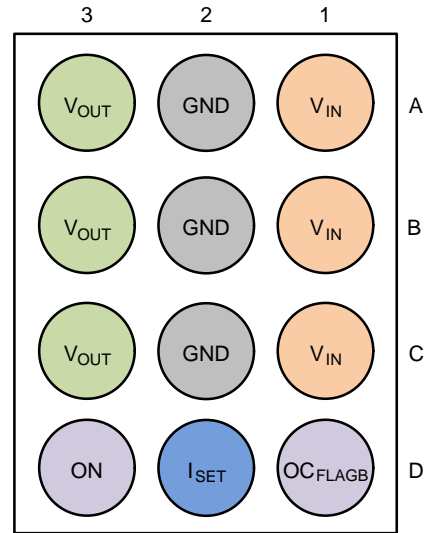


Figure 4. Pin Assignments (Bottom View)

### PIN DESCRIPTION

Pin No.	Name	Description		
A3, B3, C3	V <sub>OUT</sub>	Switch Output		
A1, B1, C1	V <sub>IN</sub>	Supply Input: Input to the power switch		
A2, B2, C2	GND	Ground (True device ground)		
D3	ON	ON/OFF Control Input: Active HIGH – GPIO compatible	Logic HIGH	Switch Enable
			Logic LOW	Switch Disable
D1	OC <sub>FLAGB</sub>	Fault Output: Active LOW, open–drain output that indicates an input over current. External pull–up resistor to V <sub>CC</sub> is required.		
D2	I <sub>SET</sub>	Current Limit Set Input: A resistor from ISET to ground sets the current limit for the switch.		

# FPF2595

## ABSOLUTE MAXIMUM RATINGS

Symbol	Parameter	Min	Max	Unit	
V <sub>PIN</sub>	V <sub>OUT</sub> to GND, V <sub>OUT</sub> to V <sub>IN</sub>	-0.3	28.0	V	
	ON, V <sub>IN</sub> , FLAGB, I <sub>SET</sub> to GND	-0.3	6.0		
I <sub>SW</sub>	Maximum Continuous Switch Current (Note 2)	-	3.9	A	
t <sub>PD</sub>	Total Power Dissipation at T <sub>A</sub> = 25°C	-	1.48	W	
T <sub>J</sub>	Operating Junction Temperature	-40	+150	°C	
T <sub>STG</sub>	Storage Junction Temperature	-65	+150	°C	
Q <sub>JA</sub>	Thermal Resistance, Junction-to-Ambient (1-inch Square Pad of 2 oz. Copper)	-	84.1 (Note 3)	°C/W	
ESD	Electrostatic Discharge Capability	Human Body Model, JESD22-A114	2.0	-	kV
		Charged Device Model, JESD22-C101	1.0	-	
	IEC61000-4-2 System Level	Air Discharge (V <sub>IN</sub> , V <sub>ON</sub> , V <sub>OUT</sub> to GND)	15.0	-	
		Contact Discharge (V <sub>IN</sub> , V <sub>ON</sub> , V <sub>OUT</sub> to GND)	8.0	-	

Stresses exceeding those listed in the Maximum Ratings table may damage the device. If any of these limits are exceeded, device functionality should not be assumed, damage may occur and reliability may be affected.

2. Maximum Junction Temperature = 85°C.
3. Measured using 2S2P JEDEC std. PCB.

## RECOMMENDED OPERATING CONDITIONS

Symbol	Parameter	Min	Max	Unit
V <sub>IN</sub>	Supply Voltage	2.5	5.5	V
T <sub>A</sub>	Ambient Operating Temperature	-40	85	°C

Functional operation above the stresses listed in the Recommended Operating Ranges is not implied. Extended exposure to stresses beyond the Recommended Operating Ranges limits may affect device reliability.

# FPF2595

**ELECTRICAL CHARACTERISTICS** (Unless otherwise noted;  $V_{IN} = 2.5$  to  $5.5$  V,  $T_A = -40$  to  $+85^\circ\text{C}$ ; typical values are at  $V_{IN} = 5$  V and  $T_A = 25^\circ\text{C}$ .)

Symbol	Parameter	Condition	Min	Typ	Max	Unit
<b>BASIC OPERATION</b>						
$V_{IN}$	Input Voltage		2.5	–	5.5	V
$I_{Q(OFF)}$	Off Supply Current	$V_{ON} = \text{GND}$ , $V_{OUT} = \text{Open}$	–	1	2	$\mu\text{A}$
$I_{SD(OFF)}$	Shutdown Current	$V_{IN} = 5.5$ V, $V_{OUT} = 0$ V, $V_{ON} = \text{GND}$	–	0.1	4.0	$\mu\text{A}$
$I_Q$	Quiescent Current	$I_{OUT} = 0$ mA	–	65	100	$\mu\text{A}$
$R_{ON}$	On Resistance	$V_{IN} = 5.0$ V, $I_{OUT} = 1$ A	–	35	50	m $\Omega$
		$V_{IN} = 3.7$ V, $I_{OUT} = 1$ A	–	40	55	
$V_{IH}$	ON Input Logic HIGH Voltage	$V_{IN} = 2.5$ V to $5.5$ V	1.15	–	–	V
$V_{IL}$	ON Input Logic LOW Voltage	$V_{IN} = 2.5$ V to $5.5$ V	–	–	0.65	V
$V_{IL\_FLAG}$	FLAGB Output Logic LOW Voltage	$V_{IN} = 5$ V, $I_{SINK} = 10$ mA	–	0.1	0.2	V
		$V_{IN} = 2.5$ V, $I_{SINK} = 10$ mA	–	0.15	0.30	
$I_{FLAG\_LK}$	FLAGB Output HIGH Leakage Current	$V_{IN} = 5$ V, Switch On	–	–	1	$\mu\text{A}$
$I_{ON}$	On Input Leakage	$V_{ON} = 0$ V to $V_{IN}$	–	–	1.0	$\mu\text{A}$
$R_{ON\_PD}$	Pull-Down Resistance at ON Pin	$V_{IN} = 2.5$ – $5.5$ V, $V_{ON} = \text{HIGH}$ , $T_A = -40$ to $85^\circ\text{C}$	–	14	–	M $\Omega$
<b>OVER-VOLTAGE PROTECTION</b>						
$V_{OV\_TRIP}$	Output OVP Lockout	$V_{OUT}$ Rising Threshold	5.50	5.80	6.00	V
		$V_{OUT}$ Falling Threshold	–	5.50	–	
$OUT_{HYS}$	Output OVP Hysteresis	$V_{OUT}$ Falling Threshold	–	0.3	–	V
$t_{OVP}$	OVP Response Time (Note 5)	$I_{OUT} = 0.5$ A, $C_L = 1$ $\mu\text{F}$ , $T_A = 25^\circ\text{C}$ , $V_{OUT}$ from $5.5$ V to $6.0$ V	1	–	4	$\mu\text{s}$
<b>OVER-CURRENT PROTECTION</b>						
$I_{LIM}$	Current Limit (Note 4)	$V_{IN} = 5$ V, $R_{SET} = 2300$ $\Omega$ , $V_{OUT} = 1.68$ to $5$ V	450	500	550	mA
		$V_{IN} = 5$ V, $R_{SET} = 1070$ $\Omega$ , $V_{OUT} = 1.68$ to $5$ V	900	1000	1100	
$V_{UVLO}$	Under-Voltage Lockout	$V_{IN}$ Increasing	–	2.4	–	V
		$V_{IN}$ Decreasing	–	2.2	–	
$V_{UVLO\_HYS}$	UVLO Hysteresis		–	200	–	mV
$V_{T\_RCB}$	RCB Protection Trip Point	$V_{OUT} - V_{IN}$	–	50	–	mV
$V_{R\_RCB}$	RCB Protection Release Trip Point	$V_{IN} - V_{OUT}$	–	50	–	mV
$V_{RCB\_HYS}$	RCB Hysteresis		–	100	–	mV
$t_{RCB}$	Default RCB Response Time	$V_{IN} = 5$ V, $V_{ON} = \text{High/Low}$	–	2	–	$\mu\text{s}$
$I_{RCB}$	RCB Current	$V_{ON} = 0$ V, $V_{OUT} = 5.5$ V	–	7	–	$\mu\text{A}$
$t_{HOCP}$	Hard Over-Current Response Time	Moderate Over-Current Condition, $I_{OUT} \geq I_{LIM}$ , $V_{OUT} = 0$ V	–	6	–	$\mu\text{s}$
$t_{OCP}$	Over-Current Response Time	Moderate Over-Current Condition, $I_{OUT} \geq I_{LIM}$ , $V_{OUT} \leq V_{IN}$	–	7	–	$\mu\text{s}$
$t_{OC\_FLAG}$	Over-Current Flag Response Time	When Over-Current Occurs to Flag Pulling LOW	–	8	–	ms
TSD	Thermal Shutdown (Note 5)	Shutdown Threshold	–	150	–	$^\circ\text{C}$
		Return from Shutdown	–	130	–	
		Hysteresis	–	20	–	

# FPF2595

**ELECTRICAL CHARACTERISTICS** (Unless otherwise noted;  $V_{IN} = 2.5$  to  $5.5$  V,  $T_A = -40$  to  $+85^\circ\text{C}$ ; typical values are at  $V_{IN} = 5$  V and  $T_A = 25^\circ\text{C}$ .) (continued)

Symbol	Parameter	Condition	Min	Typ	Max	Unit
--------	-----------	-----------	-----	-----	-----	------

## DYNAMIC CHARACTERISTICS

Symbol	Parameter	Condition	Min	Typ	Max	Unit
$t_{DON}$	Turn-On Delay (Note 5, 6)	$V_{IN} = 5$ V, $R_L = 100$ $\Omega$ , $C_L = 1$ $\mu\text{F}$ , $T_A = 25^\circ\text{C}$ , $R_{SET} = 2040$ $\Omega$	–	0.69	–	ms
$t_R$	$V_{OUT}$ Rise Time (Note 5, 6)		–	0.77	–	ms
$t_{ON}$	Turn-On Time (Note 5, 7)		–	1.46	–	ms
$t_{DOFF}$	Turn-Off Delay (Note 5, 6)		–	10	–	$\mu\text{s}$
$t_F$	$V_{OUT}$ Fall Time (Note 5, 6)		–	220	–	$\mu\text{s}$
$t_{OFF}$	Turn-Off Time (Note 5, 8)		–	230	–	$\mu\text{s}$

Product parametric performance is indicated in the Electrical Characteristics for the listed test conditions, unless otherwise noted. Product performance may not be indicated by the Electrical Characteristics if operated under different conditions.

4. Characterization based on 1% tolerance resistor.

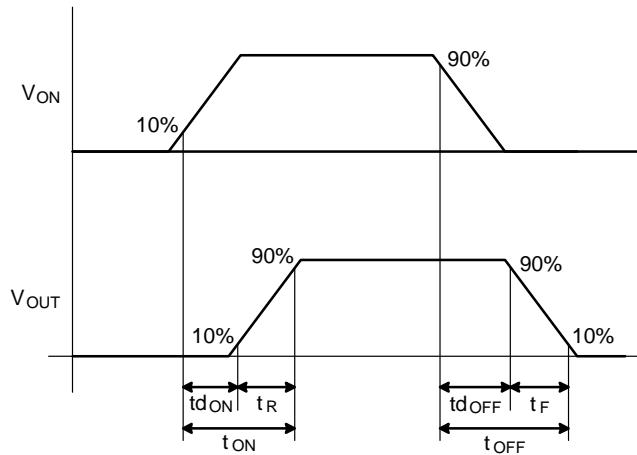
5. This parameter is guaranteed by design and characterization; not production tested.

6.  $t_{DON}/t_{DOFF}/t_R/t_F$  are defined in Figure 5 below.

7.  $t_{ON} = t_R + t_{DON}$ .

8.  $t_{OFF} = t_F + t_{DOFF}$ .

## TIMING DIAGRAM



where:

$t_{DON}$  = Delay On Time

$t_R$  =  $V_{OUT}$  Rise Time

$t_{ON}$  = Turn-On Time

$t_{DOFF}$  = Delay Off Time

$t_F$  =  $V_{OUT}$  Fall Time

$t_{OFF}$  = Turn Off Time

Figure 5. Timing Diagram

**OPERATION AND APPLICATION DESCRIPTION**

**Input Capacitor**

To limit the voltage drop on the input supply caused by transient inrush current when the switch turns on into discharge load capacitor; a capacitor must be placed in between the V<sub>IN</sub> and GND pins. A high-value capacitor on CIN can be used to reduce the voltage drop in high-current applications.

**Output Capacitor**

An output capacitor should be placed between the V<sub>OUT</sub> and GND pins. This capacitor prevents parasitic board inductance from forcing V<sub>OUT</sub> below GND when the switch is on. This capacitor also prevents reverse inrush current from creating a voltage spike that could damage the device in the case of a V<sub>OUT</sub> short.

**Fault Reporting**

Upon the detection of an over-current, OC\_FLAGB signal the fault by activating LOW.

**Current Limiting**

The current limit ensures that the current through the switch does not exceed the maximum set value, while not limiting the minimum value. The current at which the part's limit is adjustable through the selection of the external resistor connected to the ISET pin. Information for selecting the resistor is found in the section below. The device acts as a constant-current source when the load draws more than the maximum value set by the device until thermal shutdown occurs. The device recovers if the die temperature drops below the threshold temperature.

**Under-Voltage Lockout (UVLO)**

The under-voltage lockout turns the switch off if the input voltage drops below the lockout threshold. With the ON pin active, the input voltage rising above the UVLO threshold releases the lockout and enables the switch.

**True Reverse-Current Blocking**

The true reverse-current blocking feature protects the input source against current flow from output to input regardless of whether the load switch is on or off.

**Thermal Shutdown**

The thermal shutdown protects the die from internally or externally generated excessive temperature. During an over-temperature condition, the switch is turned off. The switch automatically turns on again if the temperature of the die drops below the threshold temperature.

**Setting Current Limit**

The current limit is set with an external resistor connected between the ISET and GND pins. The resistor is selected using Table 1. Resistor tolerance of 1% or less is recommended.

**Table 1. CURRENT LIMIT SETTINGS BY R<sub>SET</sub> (Note )**

R <sub>SET</sub> Ω	Min. Current Limit (mA)	Typ. Current Limit (mA)	Max. Current Limit (mA)
290	3150	3500	3850
315	2925	3250	3575
340	2700	3000	3300
375	2475	2750	3025
415	2250	2500	2750
460	2025	2250	2475
520	1800	2000	2200
600	1570	1750	1920
700	1350	1500	1650
850	1125	1250	1375
1070	900	1000	1100
1200	810	900	990
1350	720	800	880
1550	630	700	770
1850	540	600	660
2300	450	500	550
2500	405	450	495
2800	360	400	440
3200	315	350	385
3800	270	300	330
4600	225	250	275
5900	180	200	220
7800	135	150	165
11900	90	100	110

9. Table values based on 1% tolerance resistor.

Current limit threshold equation (I<sub>LIM</sub>):

$$R_{SET} (\Omega) = \left( \frac{798439 \text{ mV}}{I_{SET} \text{ mA}} \right)^{1.044}$$

Or: (eq. 1)

$$I_{SET} (\text{mA}) = \frac{798439 \text{ mV}}{R_{SET}^{0.956} \Omega}$$

If current limit is not used it is OK for the ISET pin to be connected with GND, but the maximum current must be less than the maximum current capability of 3.9 A.

**BOARD LAYOUT**

For best performance, all traces should be as short as possible. To be most effective, the input and output capacitors should be placed close to the device to minimize the effect that parasitic trace inductance may have on normal and short-circuit operation. Using wide traces for VIN, VOUT, GND helps minimize parasitic electrical effects along with minimizing the case-to-ambient thermal impedance.

# FPF2595

## ORDERING INFORMATION

Part Number	Top Mark	Operating Temperature Range	Package Type	Shipping†
FPF2595UCX	TY	-40 to 85°C	12-Ball, WLCSP, 3x4 Array, 0.4 mm Pitch, 250 µm Ball, Wafer-Level Chip-Scale Package (WLCSP) (Pb-Free)	3000 / Tape & Reel

†For information on tape and reel specifications, including part orientation and tape sizes, please refer to our Tape and Reel Packaging Specifications Brochure, BRD8011/D.

The table below pertains to the Marketing outline drawing on the following page.

## PRODUCT-SPECIFIC DIMENSIONS

Parts	D	E	X	Y
FPF2595UCX	1800 µm ±30 µm	1300 µm ±30 µm	250 µm	300 µm

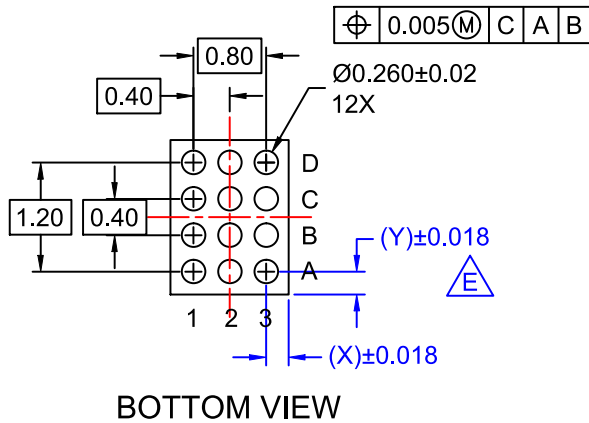
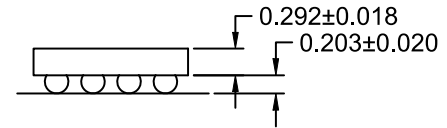
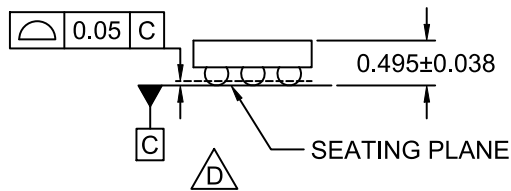
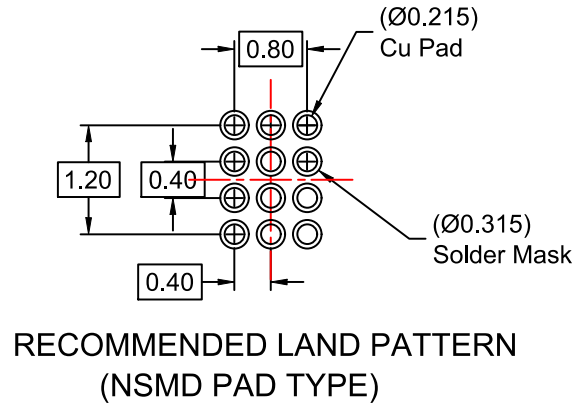
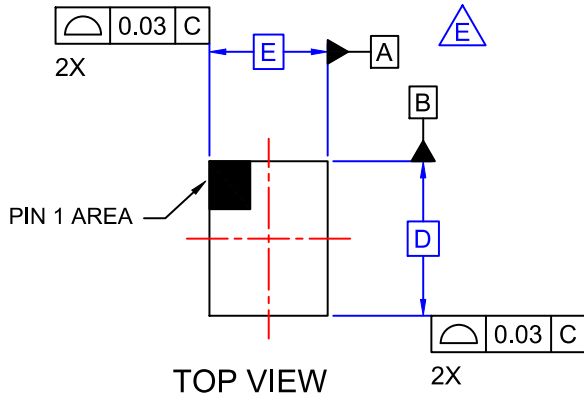
IntelliMAX is trademark of Semiconductor Components Industries, LLC dba "onsemi" or its affiliates and/or subsidiaries in the United States and/or other countries.





**WLCSP12 1.3x1.8x0.495**  
CASE 567RA  
ISSUE O

DATE 31 OCT 2016



**NOTES:**

- A. NO JEDEC REGISTRATION APPLIES.
- B. DIMENSIONS ARE IN MILLIMETERS.
- C. DIMENSIONS AND TOLERANCES PER ASME Y14.5M, 2009.
- D. DATUM C IS DEFINED BY THE SPHERICAL CROWNS OF THE BALLS.
- E. FOR DIMENSIONS D, E, X, AND Y SEE PRODUCT DATASHEET.

<b>DOCUMENT NUMBER:</b>	<b>98AON13362G</b>	Electronic versions are uncontrolled except when accessed directly from the Document Repository. Printed versions are uncontrolled except when stamped "CONTROLLED COPY" in red.
<b>DESCRIPTION:</b>	<b>WLCSP12 1.3x1.8x0.495</b>	<b>PAGE 1 OF 1</b>

ON Semiconductor and are trademarks of Semiconductor Components Industries, LLC dba ON Semiconductor or its subsidiaries in the United States and/or other countries. ON Semiconductor reserves the right to make changes without further notice to any products herein. ON Semiconductor makes no warranty, representation or guarantee regarding the suitability of its products for any particular purpose, nor does ON Semiconductor assume any liability arising out of the application or use of any product or circuit, and specifically disclaims any and all liability, including without limitation special, consequential or incidental damages. ON Semiconductor does not convey any license under its patent rights nor the rights of others.

**onsemi**, **Onsemi**, and other names, marks, and brands are registered and/or common law trademarks of Semiconductor Components Industries, LLC dba "**onsemi**" or its affiliates and/or subsidiaries in the United States and/or other countries. **onsemi** owns the rights to a number of patents, trademarks, copyrights, trade secrets, and other intellectual property. A listing of **onsemi**'s product/patent coverage may be accessed at [www.onsemi.com/site/pdf/Patent-Marking.pdf](http://www.onsemi.com/site/pdf/Patent-Marking.pdf). **onsemi** reserves the right to make changes at any time to any products or information herein, without notice. The information herein is provided "as-is" and **onsemi** makes no warranty, representation or guarantee regarding the accuracy of the information, product features, availability, functionality, or suitability of its products for any particular purpose, nor does **onsemi** assume any liability arising out of the application or use of any product or circuit, and specifically disclaims any and all liability, including without limitation special, consequential or incidental damages. Buyer is responsible for its products and applications using **onsemi** products, including compliance with all laws, regulations and safety requirements or standards, regardless of any support or applications information provided by **onsemi**. "Typical" parameters which may be provided in **onsemi** data sheets and/or specifications can and do vary in different applications and actual performance may vary over time. All operating parameters, including "Typicals" must be validated for each customer application by customer's technical experts. **onsemi** does not convey any license under any of its intellectual property rights nor the rights of others. **onsemi** products are not designed, intended, or authorized for use as a critical component in life support systems or any FDA Class 3 medical devices or medical devices with a same or similar classification in a foreign jurisdiction or any devices intended for implantation in the human body. Should Buyer purchase or use **onsemi** products for any such unintended or unauthorized application, Buyer shall indemnify and hold **onsemi** and its officers, employees, subsidiaries, affiliates, and distributors harmless against all claims, costs, damages, and expenses, and reasonable attorney fees arising out of, directly or indirectly, any claim of personal injury or death associated with such unintended or unauthorized use, even if such claim alleges that **onsemi** was negligent regarding the design or manufacture of the part. **onsemi** is an Equal Opportunity/Affirmative Action Employer. This literature is subject to all applicable copyright laws and is not for resale in any manner.

## PUBLICATION ORDERING INFORMATION

### LITERATURE FULFILLMENT:

Email Requests to: [orderlit@onsemi.com](mailto:orderlit@onsemi.com)

**onsemi Website:** [www.onsemi.com](http://www.onsemi.com)

### TECHNICAL SUPPORT

**North American Technical Support:**

Voice Mail: 1 800-282-9855 Toll Free USA/Canada

Phone: 011 421 33 790 2910

**Europe, Middle East and Africa Technical Support:**

Phone: 00421 33 790 2910

For additional information, please contact your local Sales Representative