

Discontinued

Request a Sample

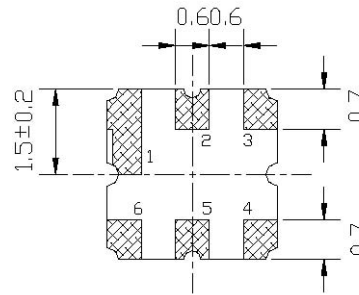
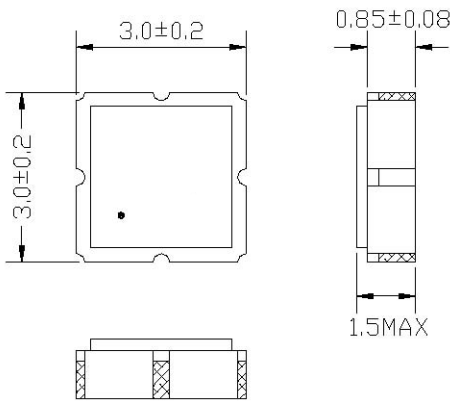
### OPERATING CONDITIONS / ELECTRICAL CHARACTERISTICS



- RF Filter for Cellular Applications
- 3.0 x 3.0 mm Footprint
- Extended Temperature Ranges
- RoHS Compliant

Parameters	Frequency (MHz)	ECS-DSF947.5B-21			Units
		MIN	TYP	MAX	
Center Frequency	FO		947.5		MHz
Insertion Loss	935.0 ~ 960.0			3.3	dB
Passband		25.0			MHz
Passband Ripple	935.0 ~ 960.0			1.4	dB
Stop Band Attenuation	DC ~ 871.0	50.0			dB
	890.0 ~ 915.0	30.0			dB
	980.0 ~ 1025.0	25.0			dB
	1025.0 ~ 1705.0	45.0			dB
	1705.0 ~ 3000.0	25.0			dB
Passband VSWR	935.0 ~ 960.0			2:1	
Operating Temperature	T <sub>OPR</sub>	-30		+80	°C
Storage Temperature	T <sub>STG</sub>	-40		+85	°C

### Package Dimensions (mm)



Pin Connections	
#1	Ground
#2	Input
#3	Ground
#4	Ground
#5	Output
#6	Ground

Figure 1) Top and Side views

ECS Part Number: ECS-DSF-947.5B-21-TR  
TR = Tape & Reel Packaging 1K/Reel