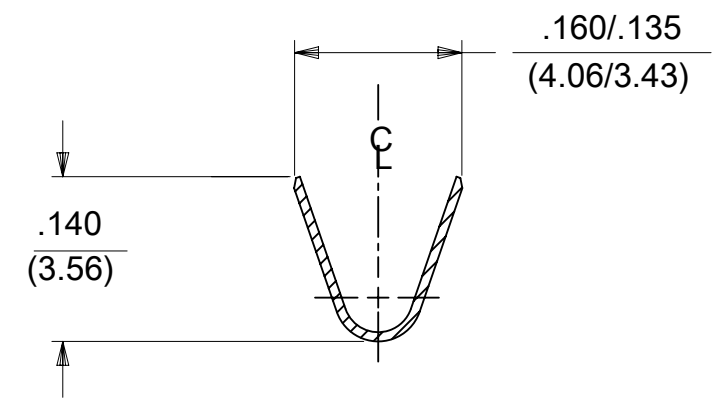
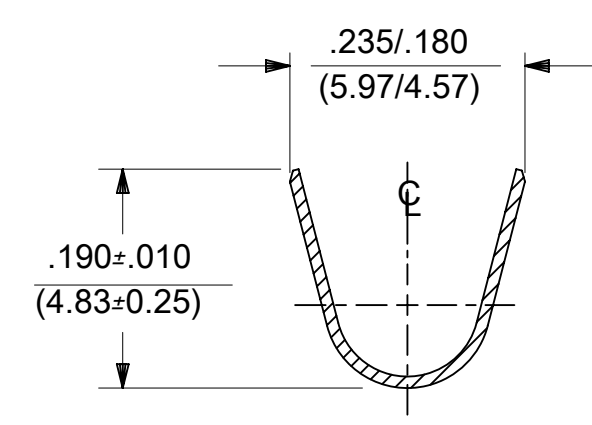
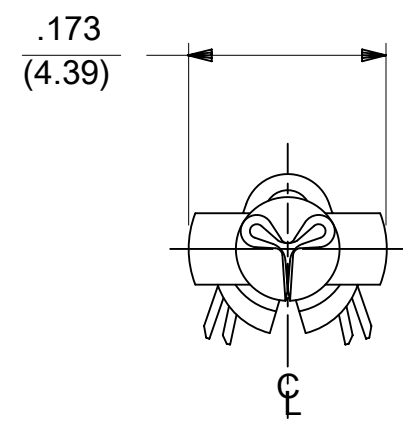


PART NO.	ENG. NO.	DIM. "D" DIA.	INSULATION CRIMP PER
02-09-8103	1973-A(P901)	.091±.003/(2.31±0.08)	SECTION "A-A"-1
02-09-8108	1973-2A(P901)	.091±.003/(2.31±0.08)	SECTION "A-A"-2



SECTION "A-A"-2
SPECIAL DOUBLE WIRE CRIMP FOR 1973-2 VERSION

SECTION "A-A"-1
STANDARD VERSION FOR 1973 & 1973-1 VERSIONS

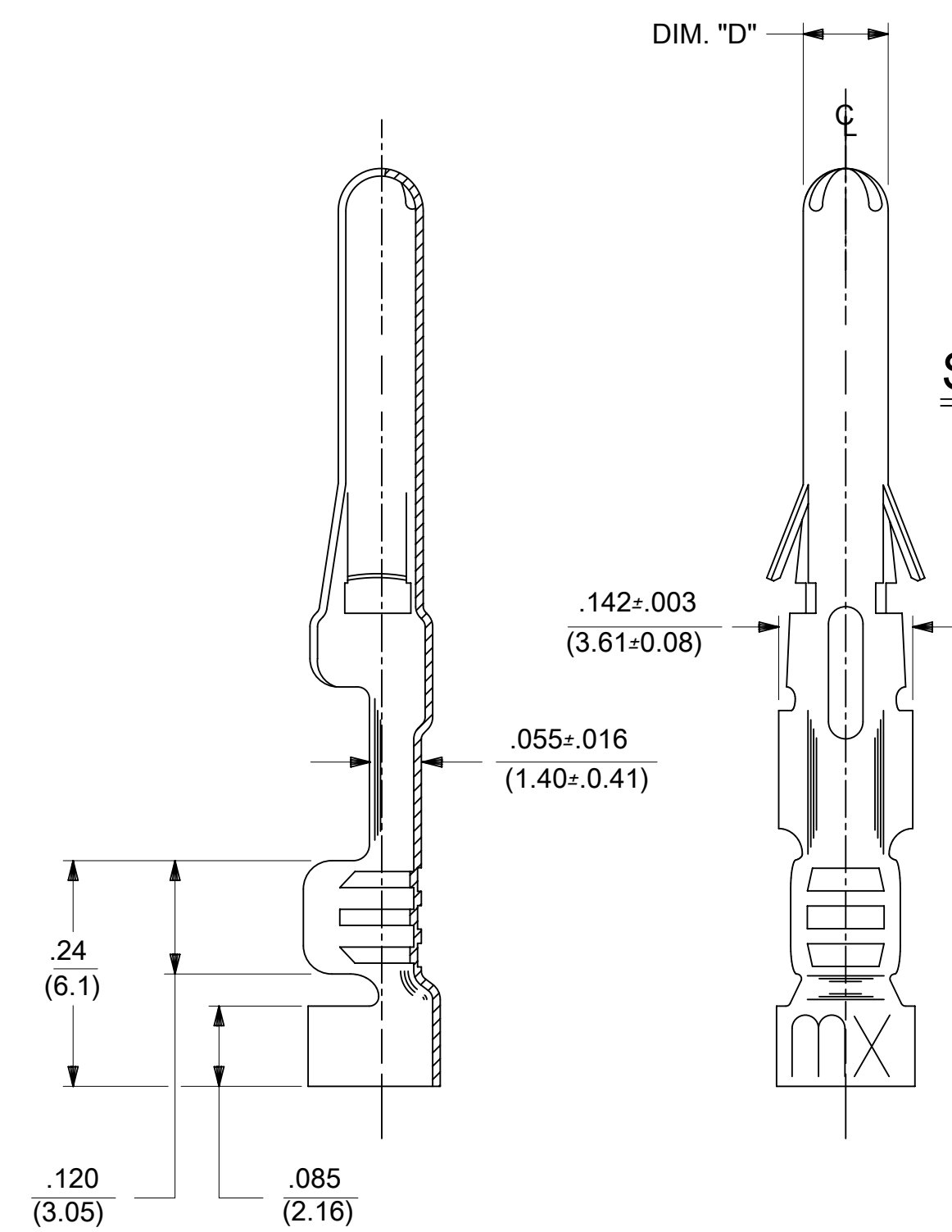
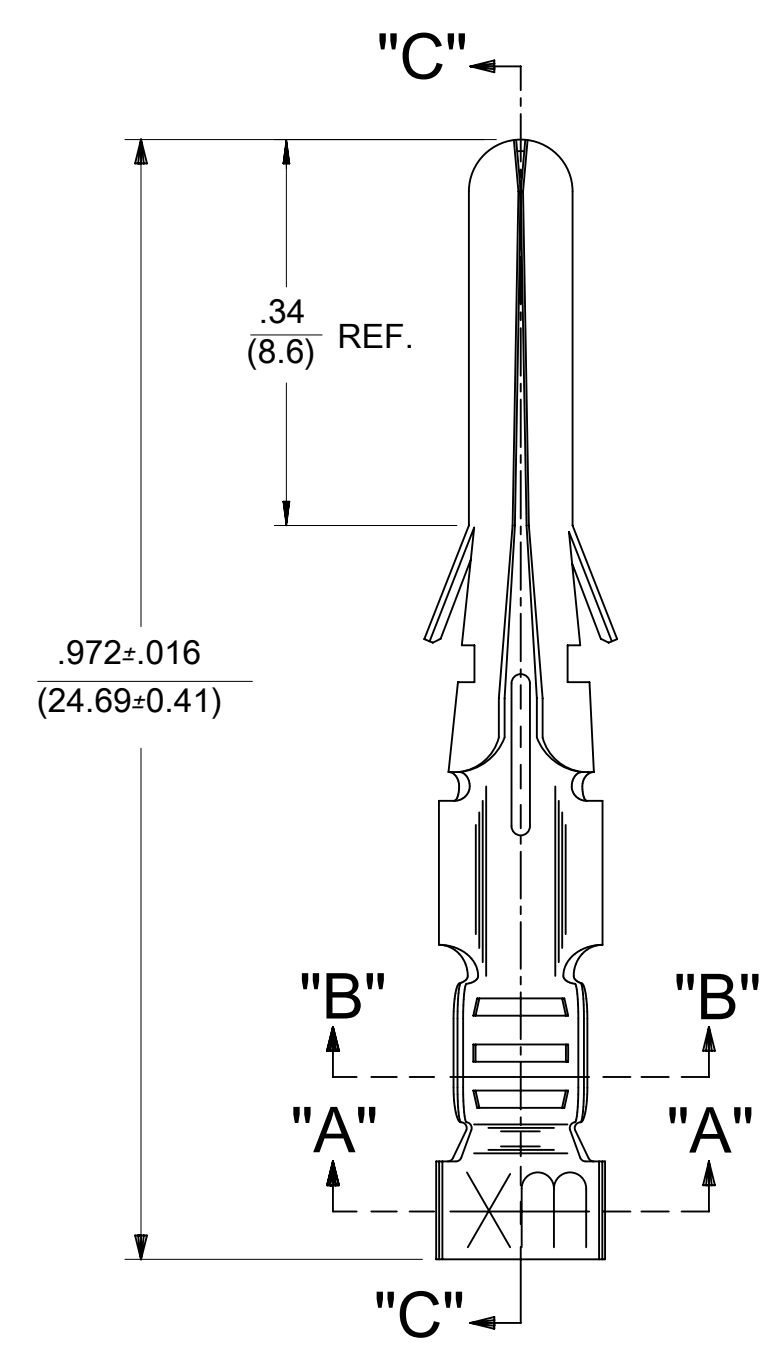
LEGEND
1973-*A(****)*

VERSION
BLANK=ORIGINAL
1=MODIFIED PIN DIA.
2=LARGER INSUL. CRIMP

FORM
BLANK=CHAIN
L=LOOSE

P=PREPLATE
BLANK=POSTPLATE

FINISH CODE



SECTION "B-B"

SECTION "C-C"

- NOTES:**
- MATERIAL: CARTRIDGR BRASS ALLOY, .010/(0.25) THICK.
 - FINISHES:
105 TIN PLATE .000300/(0.00762) MIN. OVER .000100/(0.00254) MIN. COPPER OVERALL.
901 HOT TIN DIP .000020/(0.00051) MIN.
 - PACKAGING INFORMATION: NOT AVAILABLE
 - TERMINALS FOR USE WITH .093/(2.36) SERIES HOUSINGS. 1973 & 1973-1 VERSIONS WILL ACCEPT 18 THRU 22 AWG WIRE. 1973-2 VERSION IS FOR USE WITH 14 THRU 18 AWG WIRE AND DOUBLE CRIMPS OF ONE 16 AND ONE 18 AWG OR TWO 18 AWG WIRES.
 - INSERTION FORCE: 3.5 LBS. MAX. WHEN TERMINAL IS INSERTED INTO .124/(3.15) DIA. CORE HOLE.
 - CONTACT RETENTION: 20 LBS. MIN.
 - FLOAT: TERMINAL MAY ROTATE IN HOUSING, BUT SHOULD NOT SPIN FREELY WHEN WIRE IS ROLLED BETWEEN FINGERS.

THIS DRAWING CONTAINS INFORMATION THAT IS PROPRIETARY TO MOLEX ELECTRONIC TECHNOLOGIES, LLC AND SHOULD NOT BE USED WITHOUT WRITTEN PERMISSION									
DIMENSION UNITS IN/MM		SCALE 6:1		CURRENT REV DESC: OBSOLETE PART NUMBER				molex	
GENERAL TOLERANCES (UNLESS SPECIFIED)				EC NO: 637127					
				DRWN: AKUMAR19 2020/05/06				CRIMP TERMINAL, MALE, GROUND PIN, .093 DIA., FOR VARIOUS WIRE SIZES	
4 PLACES ±		±		CHK'D: GGA 2020/05/15				PRODUCT CUSTOMER DRAWING	
3 PLACES ±		± 0.01		APPR: GGA 2020/05/15				DOCUMENT NUMBER	
2 PLACES ±		0.25 ± 0.014		INITIAL REVISION:				SD-1973-X	
1 PLACE ±		0.35 ±		DRWN: GWC 1992/06/17				DOC TYPE DOC PART REVISION	
0 PLACES ±		±		APPR: GWF 1992/06/17				PSD 001 E	
ANGULAR TOL ± 0.5 °				THIRD ANGLE PROJECTION		DRAWING		SHEET NUMBER	
DRAFT WHERE APPLICABLE MUST REMAIN WITHIN DIMENSIONS				C-SIZE		SERIES		MATERIAL NUMBER CUSTOMER	
						1973		SEE TABLE GENERAL MARKET	
DOCUMENT STATUS		P1		RELEASE DATE		2020/05/15 16:30:07		1 OF 1	