



1930-1945 MHz / 1965-1980 MHz Cavity Duplexer



ANATECH ELECTRONICS INC
RF & Microwave Filters & Products

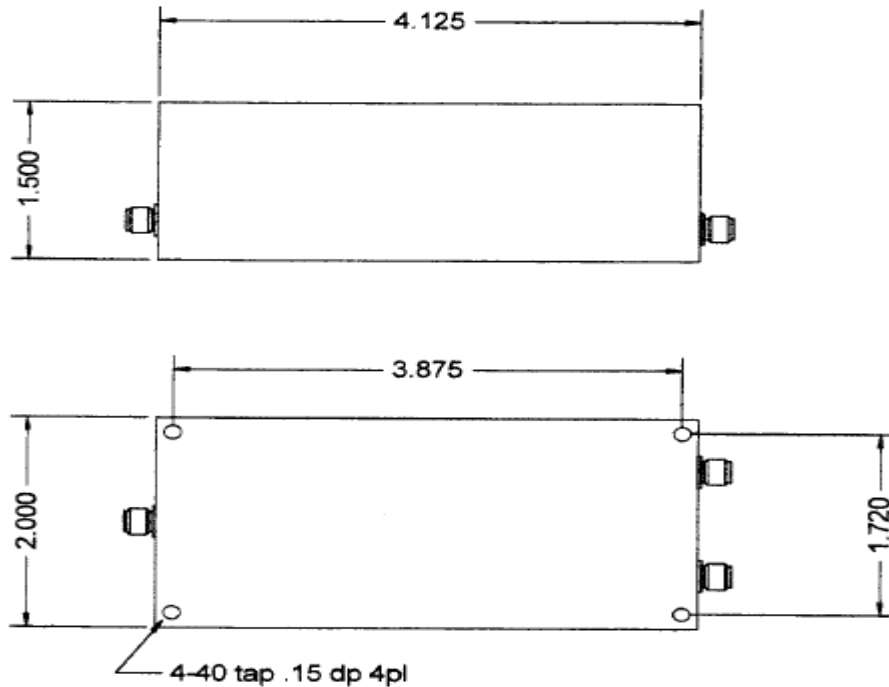
Part Number: AE1937-1972DB5145

<u>Characteristics</u>	<u>Band 1</u>	<u>Band 2</u>
Passband:	1930-1945 MHz	1965-1980 MHz
Bandwidth:	15 MHz	15 MHz
Passband Insertion Loss:	≤ 1.0dB	≤ 1.0dB
Passband Return Loss:	≥ 18dB	≥ 18dB
Input / Output Impedance:	50 Ohms	50 Ohms
Isolation:	≥ 30 dB	≥ 30 dB

<u>Mechanical</u>	
Connector Type:	SMA (F)
Dimensions:	4.125x 2.0 x 1.5 inches.

<u>Environmental</u>	
Operating Temperature:	-40 to +70 deg.C
Storage Temperature:	-50 to +85 deg.C

Outline Drawing:





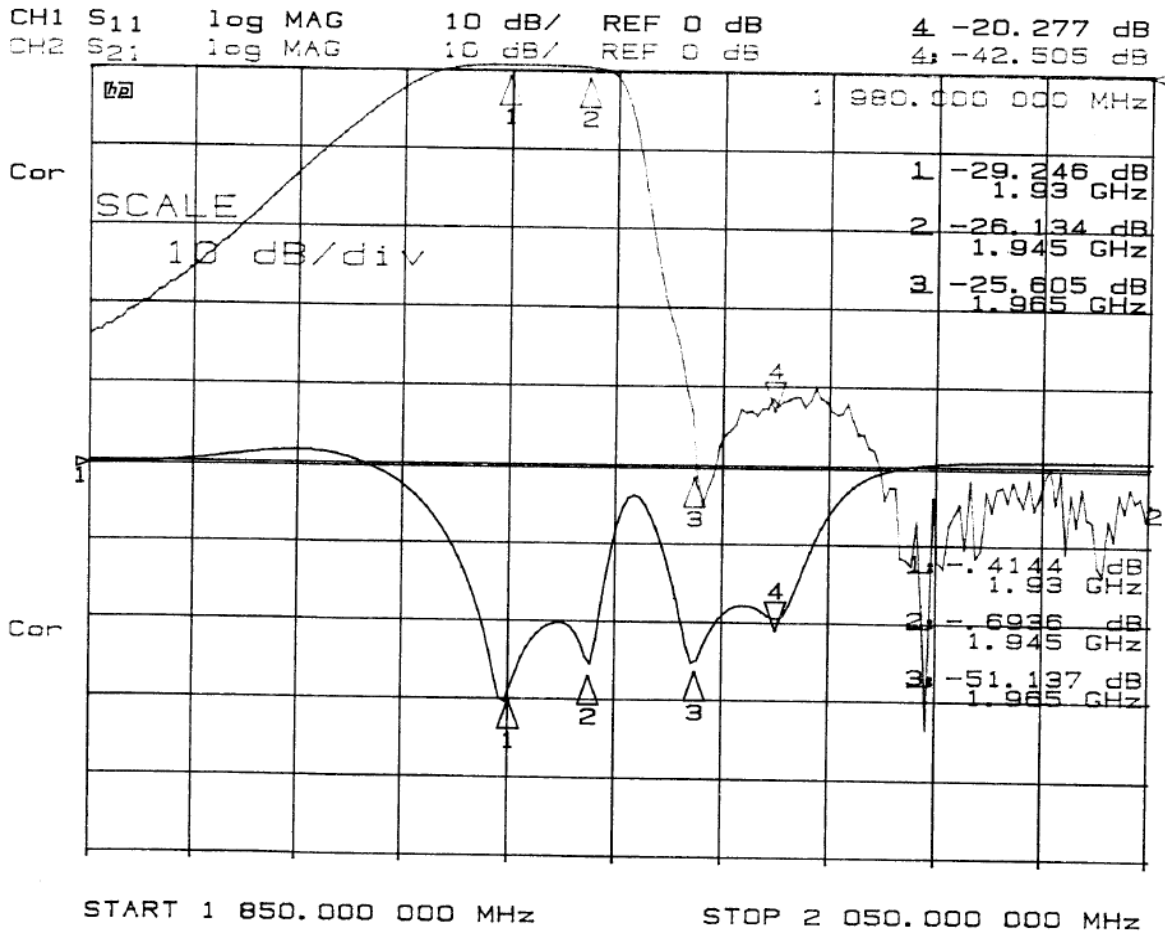
1930-1945 MHz / 1965-1980 MHz
Cavity Duplexer



ANATECH ELECTRONICS INC
RF & Microwave Filters & Products

Part Number: AE1937-1972DB5145

Response Plot:





1930-1945 MHz / 1965-1980 MHz Cavity Duplexer



ANATECH ELECTRONICS INC
RF & Microwave Filters & Products

Part Number: AE1937-1972DB5145

Response Plot:

