

PLEASE CHECK WWW.MOLEX.COM FOR LATEST PART INFORMATION

Part Number: [0349670002](#)
Status: **Active**
Overview: [Mini50 Connection Systems](#)
Description: Mini50 Sealed Cavity Plug, 13.85mm Length, Light Gray

Documents:

[Drawing \(PDF\)](#) [RoHS Certificate of Compliance \(PDF\)](#)
[Datasheet \(PDF\)](#)

General

Product Family	Accessories
Series	34967
Component Type	Cavity Plug
Overview	Mini50 Connection Systems
Product Name	Mini50 Sealed
Taxonomy	Connector Accessories
UPC	193264258574

Physical

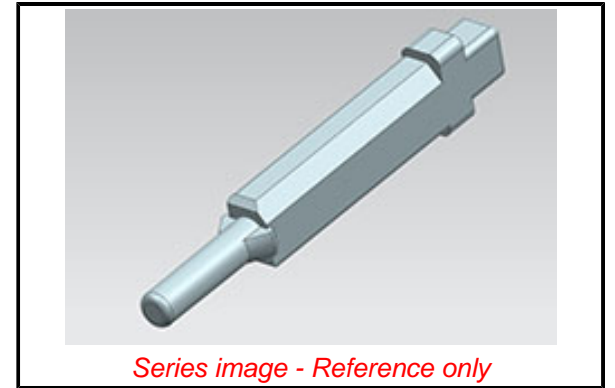
Circuits (Loaded)	0
Color - Resin	Gray (Light)
Gender	Plug
Material - Resin	Nylon
Net Weight	0.035/g
Packaging Type	Bag

Material Info

Engineering Number	CVP-349670002
--------------------	---------------

Reference - Drawing Numbers

Sales Drawing	349670002-000
---------------	---------------



EU ELV

Compliant

EU RoHS

Compliant

REACH SVHC

Not Contained Per -
D(2022)4187-DC (10
June 2022)

Halogen-Free

Status

Low-Halogen

For more information, please visit [Contact US](#)

China ROHS

ELV

RoHS Phthalates

China RoHS

Not Relevant

Compliant

Not Contained

Search Parts in this Series

[34967 Series](#)