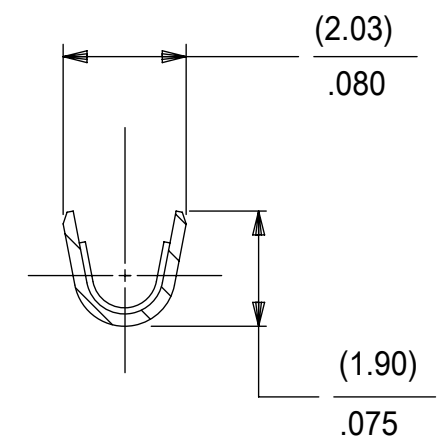
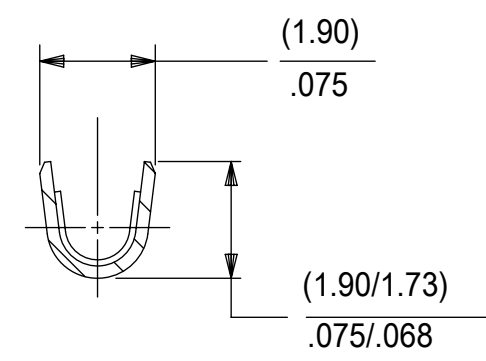
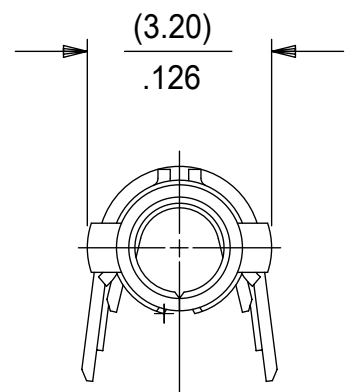
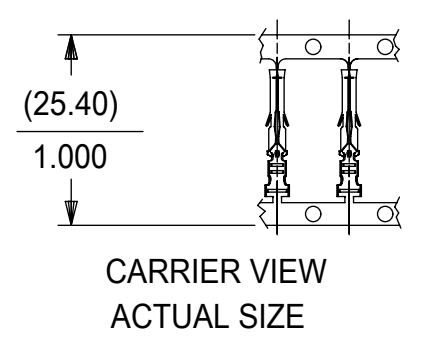


PART NO.	ENG. NO.	PACKAGING
02-06-1131	1855-(P901)	18550000-PK
02-06-1132	1855-(P901)L	PK-1190-003
02-06-5130	1855-(P550)	18550000-PK
02-06-5135	1855-(P550)L	PK-1190-003
02-06-1141	1855-1(P901)	18550000-PK
NOT TOOLED	1855-1(P901)L	PK-1190-003



**LEGEND**

1855-\*(\*\*\*\*)\*

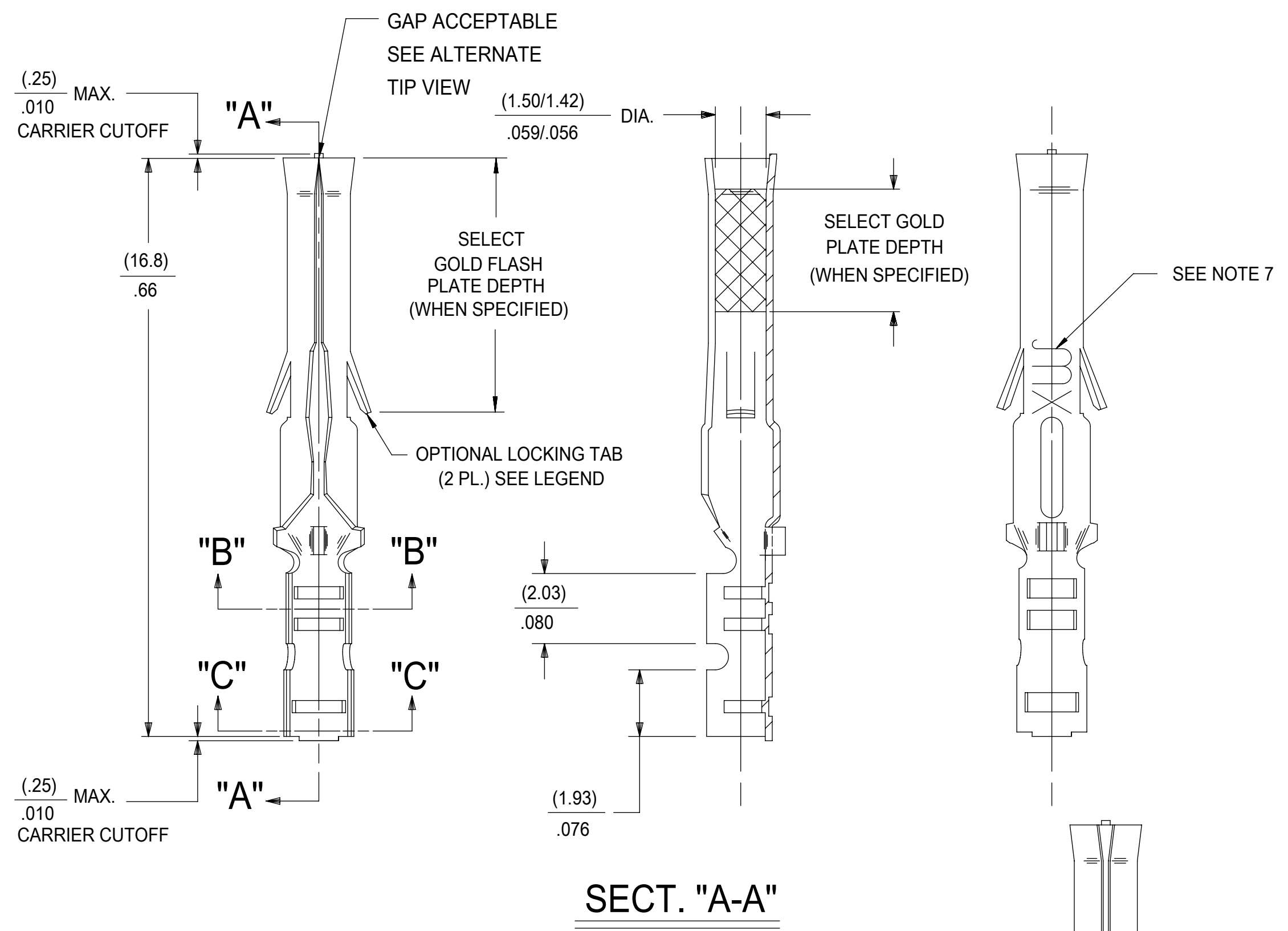
BLANK=WITH LOCKING TABS  
1=WITHOUT LOCKING TABS

P=PREPLATE  
BLANK=POSTPLATE

FORM  
BLANK=CHAIN  
1=CHAIN WITH INTERLEAF  
PAPER ON REEL.  
L=LOOSE  
FINISH CODE

**NOTES:**

- MATERIAL: BRASS
- FINISHES:
  - 901 HOT TIN DIP (.00051)/.000020 MIN.
  - 228 SELECT GOLD PLATE (.00075/.000030 MIN. IN CONTACT AREA, SELECT TIN (.00250)/.000100 MIN. IN CRIMP AREA OVER (.00125)/.000050 MIN. NICKEL OVERALL
  - 561 SELECT GOLD PLATE (.00076)/.000030 MIN. IN CONTACT AREA, (.00127)/.000050 MIN. NICKEL OVERALL.
  - 550 SELECT GOLD PLATE (.00038)/.000015 MIN. IN CONTACT AREA, OVER (.00076)/.000030 MIN. NICKEL OVERALL WITH (.00025)/.000010 MAX. GOLD FLASH OVERALL.
- PRODUCT SPECIFICATION: PS-02-06
- PACKAGE INFORMATION: SEE CHART
- TERMINAL FOR USE WITH (1.57)/.062 DIA. SERIES HOUSINGS AND WILL ACCEPT 24 THRU 30 AWG WIRE WITH (1.02/2.29)/.040/.090 INSULATION DIAMETER.
- PARTS CONFORM TO CLASS B REQUIREMENTS OF COSMETIC SPECIFICATION PS-45499-002.
- MARKING MAY VARY ON PARTS, CONSULT FACTORY.
- TIP GEOMETRY IS TOOL DEPENDENT. EITHER GEOMETRY IS ACCEPTABLE.



ALTERNATE TIP GEOMETRY  
SEE NOTE 8

THIS DRAWING CONTAINS INFORMATION THAT IS PROPRIETARY TO MOLEX ELECTRONIC TECHNOLOGIES, LLC AND SHOULD NOT BE USED WITHOUT WRITTEN PERMISSION									
DIMENSION UNITS <b>MM/IN</b>		SCALE <b>NTS</b>		CURRENT REV DESC: REMOVED OBSOLETE PART NUMBER AS PER PCN#509987.				<b>molex</b>	
GENERAL TOLERANCES (UNLESS SPECIFIED)				EC NO: 693623					
				DRWN: SANTHN 2021/09/08				CRIMP TERMINAL, FEMALE (1.57)/.062 DIA., BRASS FOR 24 THRU 30 GA. WIRE	
4 PLACES ±				CHK'D: GGA 2022/03/30					
3 PLACES ±		± 0.01		APPR: GGA 2022/03/30				PRODUCT CUSTOMER DRAWING	
2 PLACES ±		± 0.25 ± 0.014		INITIAL REVISION:					
1 PLACE ±		± 0.35 ±		DRWN: GEP 1987/09/17				DOCUMENT NUMBER	
0 PLACES ±		±		APPR: RAS 1987/09/17				SD-1855-X	
ANGULAR TOL ± 0.5 °				THIRD ANGLE PROJECTION				DOC TYPE DOC PART REVISION	
DRAFT WHERE APPLICABLE MUST REMAIN WITHIN DIMENSIONS				DRAWING SERIES				MATERIAL NUMBER CUSTOMER SHEET NUMBER	
				C-SIZE 1855				SEE TABLE GENERAL MARKET 1 OF 1	

DOCUMENT STATUS	P1	RELEASE DATE	2022/03/30	09:51:33
-----------------	----	--------------	------------	----------