

Reference Only

Spec No. JEFL243C-9101P-01

P1/9

Wire Wound Chip Common Mode Choke Coil

DLW43SH□□□XK2□

Murata Standard Reference Specification [AEC-Q200]

1. Scope

This reference specification applies to Wire Wound Chip Common Mode Choke Coil DLW43SH_XK Series for Automotive Electronics based on AEC-Q200.

2. Part Numbering

- (ex.) DL W 43 S H 101 X K 2 L
 (1) (2) (3) (4) (5) (6) (7) (8) (9) (10)
- (1) Chip Common Mode Choke Coil
 - (2) Structure (W : Winding Type)
 - (3) Dimension (L×W)
 - (4) Type
 - (5) Category
 - (6) Inductance
 - (7) Circuit
 - (8) Features
 - (9) Number of Line
 - (10) Packaging Code
- L : Taping (Φ 180mm/reel)
 K : Taping (Φ 330mm/reel)
 B : Bulk

3. Rating

| Customer Part Number | Murata Part Number | Common Mode Inductance (Under Standard Testing Condition) | Rated Voltage V(DC) | Withstanding Voltage V(DC) | Rated Current (mA) | DC Resistance (Ω max.) | Insulation Resistance (MΩ min.) | ESD Rank 6:25kV |
|----------------------|--|---|---------------------|----------------------------|--------------------|------------------------|---------------------------------|-----------------|
| | DLW43SH110XK2L DLW43SH110XK2K DLW43SH110XK2B | 11uH (-30%/+50%) at 0.1MHz | 50 | 125 | 360 | 0.5 | 10 | 6 |
| | DLW43SH220XK2L DLW43SH220XK2K DLW43SH220XK2B | 22uH (-30%/+50%) at 0.1MHz | | | 310 | 0.6 | | |
| | DLW43SH510XK2L DLW43SH510XK2K DLW43SH510XK2B | 51uH (-30%/+50%) at 1MHz | | | 230 | 1.0 | | |
| | DLW43SH101XK2L DLW43SH101XK2K DLW43SH101XK2B | 100uH(-30%/+50%) at 1MHz | | | 200 | 2.0 | | |

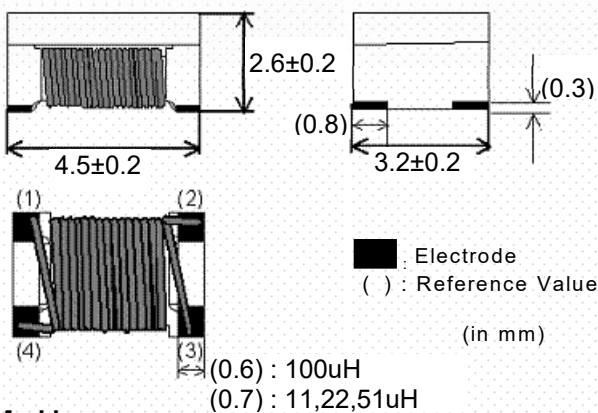
Operating Temperature : -40 to +125°C Storage Temperature : -40 to +125°C

4. Standard Testing Condition

<Unless otherwise specified>
 Temperature : Ordinary Temperature 15 to 35°C
 Humidity : Ordinary Humidity 25 to 85%(RH)

<In case of doubt>
 Temperature : 20 ± 2°C
 Humidity : 60 to 70%(RH)
 Atmospheric Pressure : 86 to 106kPa

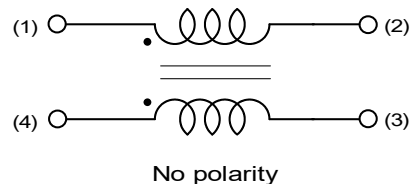
5. Style and Dimensions



6. Marking

No Marking.

Equivalent Circuits



Unit Mass (Typical value)

0.17g

7. Electrical Performance

| No. | Item | Specification | Test Method |
|-----|------------------------------|--------------------------------|---|
| 7.1 | Common Mode Inductance (Lc) | Meet item 3. | Measuring Equipment : KEYSIGHT 4294A or the equivalent Measuring Frequency:0.1MHz / 11uH, 22uH 1MHz / 51uH, 100uH (ref.item 9.1) |
| 7.2 | Insulation Resistance (I.R.) | | Measuring voltage : Rated Voltage Measuring time : 1 minute max. (ref.item 9.3) |
| 7.3 | Withstanding Voltage | Products shall not be damaged. | Test Voltage : 2.5 times for Rated Voltage Time : 1 to 5 seconds Charge Current : 1 mA max. (ref.item 9.2) |
| 7.4 | DC Resistance (Rdc) | Meet item 3. | Measuring current : 10mA max. (ref.item 9.4) (In case of doubt in the above mentioned standard condition, measure by 4 terminal method.) |

8. Q200 Requirement

8.1.Performance (based on Table 13 for Ferrite EMI SUPPRESSORS/FILTERS)

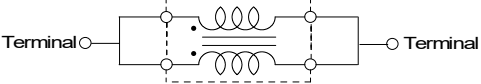
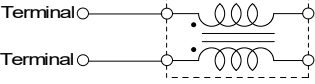
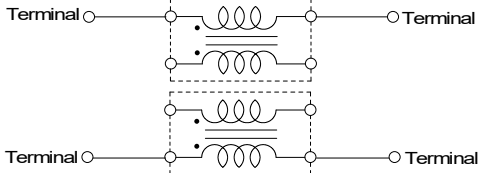
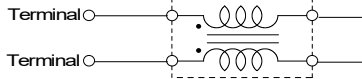
AEC-Q200 Rev.D issued June 1. 2010

| AEC-Q200 | | | Murata Specification / Deviation | | | | |
|---|-------------------------------|--|---|------------|-----------|---|--------------|
| No. | Item | Specification | | | | | |
| 3 | High Temperature Exposure | 1000hours at 125 deg C Set for 24hours at room temperature, then measured. | Meet Table A after testing. Table A <table border="1" style="margin-left: 20px;"> <tr> <td>Appearance</td> <td>No damage</td> </tr> <tr> <td>Common Mode Inductance (at 0.1MHz / 11uH, 22uH at 1MHz / 51uH, 100uH)</td> <td>Meet item 3.</td> </tr> </table> | Appearance | No damage | Common Mode Inductance (at 0.1MHz / 11uH, 22uH at 1MHz / 51uH, 100uH) | Meet item 3. |
| Appearance | No damage | | | | | | |
| Common Mode Inductance (at 0.1MHz / 11uH, 22uH at 1MHz / 51uH, 100uH) | Meet item 3. | | | | | | |
| 4 | Temperature Cycling | 1000cycles -40 deg C to +125 deg C Set for 24hours at room temperature, then measured. | Meet Table A after testing. | | | | |
| 5 | Destructive Physical Analysis | Per EIA469 No electrical tests | Not Applicable | | | | |
| 7 | Biased Humidity | 1000hours at 85 deg C, 85%RH Apply max rated current. | Meet Table A after testing. (ref.item 9.5) | | | | |
| 8 | Operational Life | Apply 125 deg C1000hours Set for 24hours at room temperature, then measured. | Meet Table A after testing. Apply rated current. (ref.item 9.6) | | | | |
| 9 | External Visual | Visual inspection | No abnormalities | | | | |
| 10 | Physical Dimension | Meet ITEM 4 (Style and Dimensions) | No defects | | | | |
| 12 | Resistance to Solvents | Per MIL-STD-202 Method 215 | Not Applicable | | | | |
| 13 | Mechanical Shock | Per MIL-STD-202 Method 213 Conditon F: 1500g's(14.7N)/0.5ms/Half sine | Meet Table A after testing. | | | | |

| AEC-Q200 | | | Murata Specification / Deviation |
|----------|---------------------------------|--|---|
| No. | Stress | Test Method | |
| 14 | Vibration | 5g's(0.049N) for 20 minutes, 12cycles each of 3 orientations Test from 10-2000Hz. 12cycles each of 3 orientations | Meet Table A after testing. |
| 15 | Resistance to Soldering Heat | No-heating Solder temperature 260C+/-5 deg C Immersion time 10s | Pre-heating : 150 to 180C / 90±30s Meet Table A after testing. |
| 17 | ESD | Per AEC-Q200-002 | Meet Table A after testing. ESD Rank: Refer to Item 3. Rating. |
| 18 | Solderbility | Per J-STD-002 | Method b : Not Applicable 90% of the terminations is to be soldered.(except partly-exposed wire) Flux:Ethanol solution of rosin,25(wt)% includes activator equivalent to 0.06 to 0.10(wt)% chlorine |
| 19 | Electrical Characterization | Measured : Common mode Inductance | No defects |
| 20 | Flammability | Per UL-94 | Not Applicable |
| 21 | Board Flex | Epoxy-PCB(1.6mm) Deflection 2mm(min) 60 sec minimum holding time | Meet Table A after testing. |
| 22 | Terminal Strength | Per AEC-Q200-006 A force of 17.7N for 60sec | No defects |
| 30 | Electrical Transient Conduction | Per ISO-7637-2 | Not Applicable |

9. Terminal to be Tested.

When measuring and supplying the voltage, the following terminal is applied.

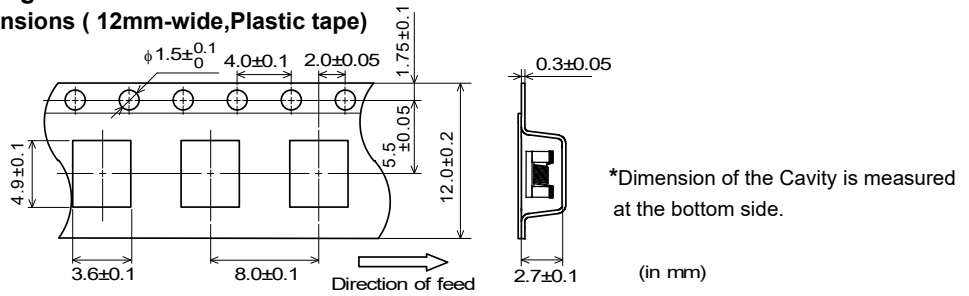
| No. | Item | Terminal to be Tested |
|-----|--|--|
| 9.1 | Common Mode Inductance (Measurement Terminal) |  |
| 9.2 | Withstanding Voltage (Measurement Terminal) |  |
| 9.3 | Insulation Resistance (Measurement Terminal) | |
| 9.4 | DC Resistance (Measurement Terminal) |  |
| 9.5 | Biased Humidity (Supply Terminal) |  |
| 9.6 | Operational Life (Supply Terminal) | |

10. P.C.B., Flux, Solder and Soldering condition

Test shall be done using P.C.B., Flux, Solder and Soldering condition which are specified in item 13 except the case of being specified special condition.

11. Specification of Packaging

11.1 Appearance and Dimensions (12mm-wide,Plastic tape)



11.2. Specification of Taping

- (1) Packing quantity (Standard quantity) ϕ 180 mm reel : 500 pcs. / reel ϕ 330 mm reel : 2500 pcs. / reel
- (2) Packing Method
Products shall be packaged in each embossed cavity of plastic tape and sealed with cover tape.
- (3) Sprocket Hole
The sprocket holes are to the right as the tape is pulled toward the user.
- (4) Spliced point
The cover tape have no spliced point.
- (5) Missing components number
Missing components number within 0.025% of the number per reel or 1 pc., whichever is greater, and are not continuous. The specified quantity per reel is kept.

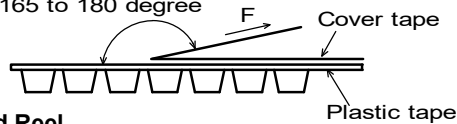
11.3. Pull Strength of Plastic Tape

| | |
|--------------|-----------|
| Plastic Tape | 5 N min. |
| Cover Tape | 10 N min. |

11.4. Peeling off force of Cover Tape

0.2N to 0.7N (minimum value is typical.)

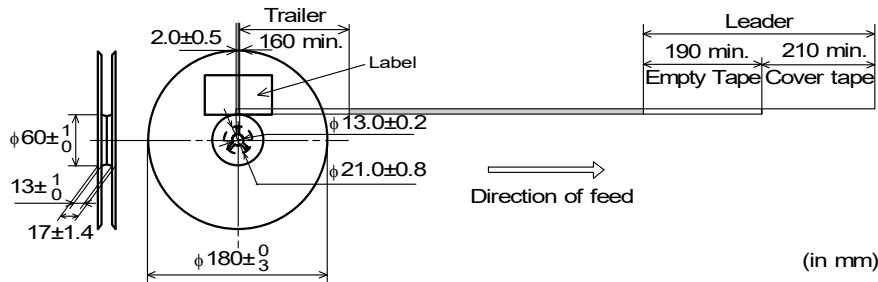
Speed of Peeling off : 300 mm / min 165 to 180 degree



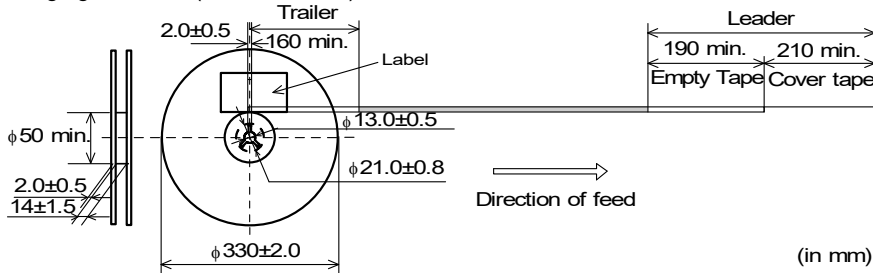
11.5. Dimensions of Leader-tape, Trailer and Reel

There shall be leader-tape (cover tape only and empty tape) and trailer-tape (empty tape) as follows.

« Packaging Code : L (ϕ 180mm reel) »



« Packaging Code : K (ϕ 330mm reel) »



11.6 Marking for reel

Customer part number, MURATA part number, Inspection number(*1), RoHS marking(*2), Quantity, etc

*1) « Expression of Inspection No. » $\frac{\square\square}{(1)} \frac{0000}{(2)} \frac{\times\times\times}{(3)}$

- (1) Factory Code
- (2) Date

First digit : Year / Last digit of year
 Second digit : Month / Jan. to Sep. → 1 to 9, Oct. to Dec. → O,N,D
 Third, Fourth digit : Day

- (3) Serial No.

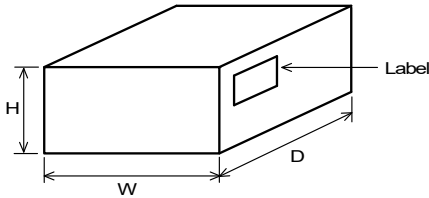
*2) « Expression of RoHS marking » $ROHS - \frac{Y(\triangle)}{(1)(2)}$

- (1) RoHS regulation conformity parts.
- (2) MURATA classification number

11.7 Marking for Outside package

Customer name Purchasing Order Number, Customer Part Number, MURATA part number, RoHS marking (*2), Quantity, etc

11.8 Specification of Outer Case



| Reel | Outer Case Dimensions (mm) | | | Standard Reel Quantity in Outer Case (Reel) |
|---------|----------------------------|-----|----|---|
| | W | D | H | |
| φ 180mm | 186 | 186 | 93 | 4 |
| φ 330mm | 340 | 340 | 85 | 4 |

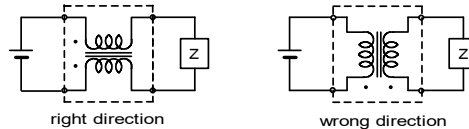
*Above Outer Case size is typical. It depends on a quantity of an order.

12. ⚠ Caution

12.1 Mounting Direction

Mount products in right direction.

Wrong direction which is 90° rotated from right direction causes not only open or short circuit but also flames or other serious trouble.



12.2 Limitation of Applications

Please contact us before using our products for the applications listed below which require especially high reliability for the prevention of defects which might directly cause damage to the third party's life, body or property.

- (1) Aircraft equipment
- (2) Aerospace equipment
- (3) Undersea equipment
- (4) Power plant control equipment
- (5) Medical equipment
- (6) Transportation equipment (trains, ships, etc.)
- (7) Traffic signal equipment
- (8) Disaster prevention / crime prevention equipment
- (9) Data-processing equipment
- (10) Applications of similar complexity and / or reliability requirements to the applications listed in the above.

12.3 Caution(Rating)

Do not exceed maximum rated current of the product. Thermal stress may be transmitted to the product and short/open circuit of the product or falling off the product may be occurred.

12.4 Fail-safe

Be sure to provide an appropriate fail-safe function on your product to prevent a second damage that may be caused by the abnormal function or the failure of our product.

13.5 Corrosive gas

Please refrain from use since contact with environments with corrosive gases (sulfur gas [hydrogen sulfide, sulfur dioxide, etc.], chlorine, ammonia, etc.) or oils (cutting oil, silicone oil, etc.) that have come into contact with the previously stated corrosive gas environment will result in deterioration of product quality or an open from deterioration due to corrosion of product electrode, etc. We will not bear any responsibility for use under these environments.

13. Notice

Products can only be soldered with reflow.
 This product is designed for solder mounting.
 Please consult us in advance for applying other mounting method such as conductive adhesive.

13.1 Flux and Solder

| | |
|--------|--|
| Flux | Use rosin-based flux,(with converting chlorine content 0.06 to 0.1(wt)%), but not highly acidic flux (with Halogen content exceeding 0.2(wt)% conversion to chlorine). Do not use water-soluble flux. |
| Solder | Use Sn-3.0Ag-0.5Cu solder Standard thickness of the solder paste should be 150µm. |

13.2 Assembling

<Exclusive use of Reflow soldering>
 Flow soldering may cause deterioration in insulation resistance.
 So, reflow soldering shall be applied for this product.

13.3 Cleaning Conditions

Do not clean after soldering. Some cleaning agents may degrade bonding strength, and characteristics of products by detaching. If cleaning, please contact us.

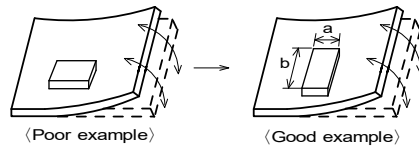
13.4 Resin coating

The inductance value may change due to high cure-stress of resin to be used for coating/molding products. An open circuit issue may occur by mechanical stress caused by the resin, amount/cured shape of resin, or operating condition etc. Some resin contains some impurities or chloride possible to generate chlorine by hydrolysis under some operating condition may cause corrosion of wire of coil, leading to open circuit. So, please pay your careful attention when you select resin in case of coating/molding the products with the resin. Prior to use the coating resin, please make sure no reliability issue is observed by evaluating products mounted on your board.

13.5 Attention regarding P.C.B. bending

The following shall be considered when designing and laying out P.C.B.'s.
 (1) P.C.B. shall be designed so that products are not subject to the mechanical stress due to warping the board.

[Products direction]

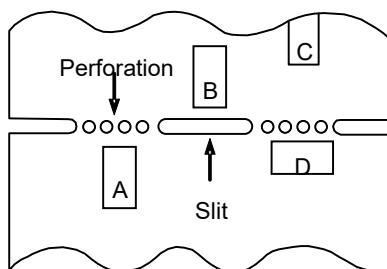


Products shall be location the sideways Direction (Length : a<b) to the mechanical Stress.

(2) Components location on P.C.B. separation.

It is effective to implement the following measures, to reduce stress in separating the board.
 It is best to implement all of the following three measures; however, implement as many measures as possible to reduce stress.

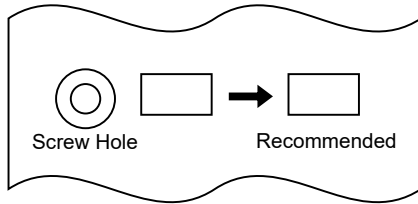
| Contents of Measures | Stress Level |
|--|--------------|
| (1) Turn the mounting direction of the component parallel to the board separation surface. | A > D *1 |
| (2) Add slits in the board separation part. | A > B |
| (3) Keep the mounting position of the component away from the board separation surface. | A > C |



*1 A > D is valid when stress is added vertically to the perforation as with Hand Separation.
 If a Cutting Disc is used, stress will be diagonal to the PCB, therefore A > D is invalid.

(3) Mounting Components Near Screw Holes

When a component is mounted near a screw hole, it may be affected by the board deflection that occurs during the tightening of the screw. Mount the component in a position as far away from the screw holes as possible.



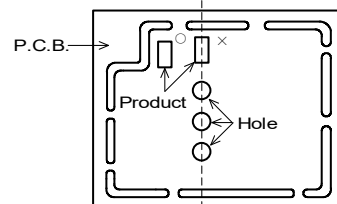
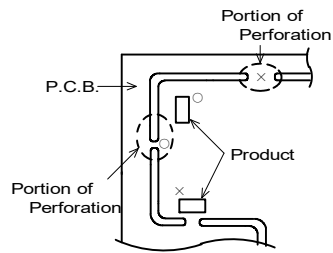
13.6 Attention Regarding P.C.B. Design

< The Arrangement of Products >

P.C.B. shall be designed so that products are far from the portion of perforation.

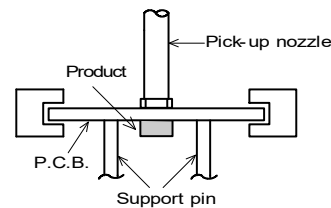
The portion of perforation shall be designed as narrow as possible, and shall be designed so as not to be applied the stress in the case of P.C.B. separation.

Products shall not be arranged on the line of a series of holes when there are big holes in P.C.B. (Because the stress concentrate on the line of holes.)



< Products Placing >

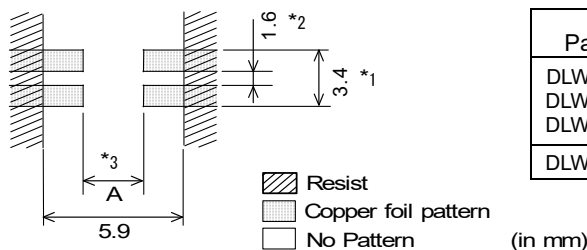
Support pins shall be set under P.C.B. to prevent causing a warp to P.C.B. during placing the products on the other side of P.C.B.



< P.C.B. Separation >

P.C.B. shall not be separated with hand. P.C.B. shall be separated with the fixture so as not to cause P.C.B. bending.

13.7 Standard Land Dimensions (Reflow)



| Part Number | A |
|---------------|-----|
| DLW43SH110XK2 | 3.0 |
| DLW43SH220XK2 | |
| DLW43SH510XK2 | |
| DLW43SH101XK2 | 3.2 |

- *1 If the pattern is made with wider than 3.4mm. It will result to let component turn around, because melting speed is different. In the worst case, short circuit between lines may be occurred.
- *2 If the pattern is made with less than 1.6mm, in the worst case, short circuit between lines may be occurred due to the spread of soldering paste or mount placing accuracy.
- *3 If the pattern is made with wider, the strength of bending will be reduced. Moreover, if the pattern is made with less than "A" dimension, in the worst case short circuit may be occurred.
- *4 Do not use gilded pattern. A copper wire may cause open by dissolution of metallization.

13.8 Standard Soldering Condition

1. Reflow Soldering

(1) Soldering Temperature

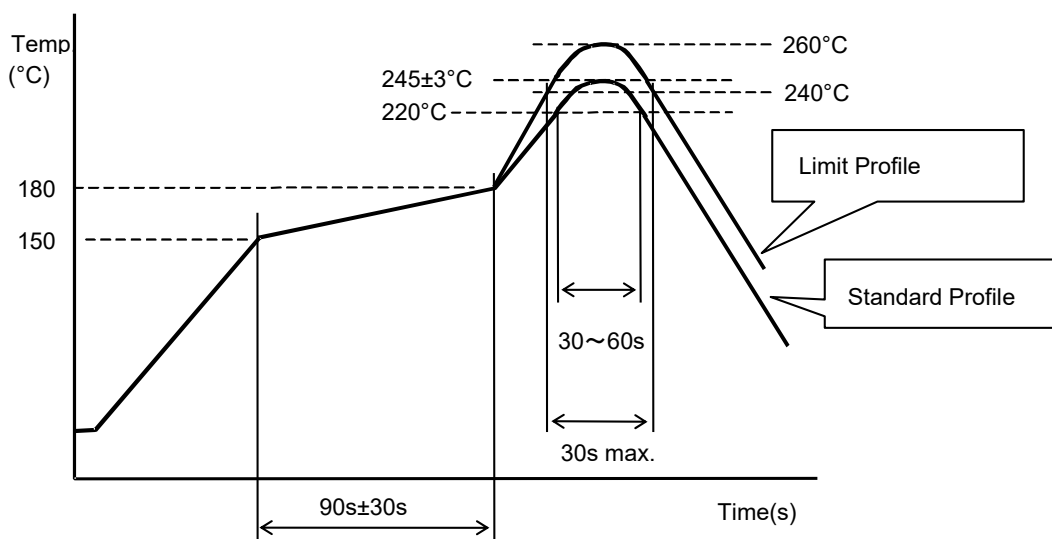
Temperature difference between soldering and surface of components must be within 150°C, in preheating. When components are immersed in liquid after soldering, temperature difference should be within 100°C. If preheating is not enough, components may be cracked and cause deterioration in insulation resistance.

(2) Soldering Condition

Standard soldering profile and the limit soldering profile is as follows.

The excessive limit soldering conditions may cause leaching of the electrode and / or resulting in the deterioration of product quality.

Soldering Profile for Lead Free solder (Sn-3.0Ag-0.5Cu solder)



| | Standard Profile | Limit Profile |
|------------------|---------------------|----------------------|
| Pre-heating | 150~180°C、90s±30s | |
| Heating | above 220°C、30s~60s | above 240°C、30s max. |
| Peak temperature | 245±3°C | 260°C、10s |
| Cycle of reflow | 2 times | 2 times |

2. Reworking with Soldering iron

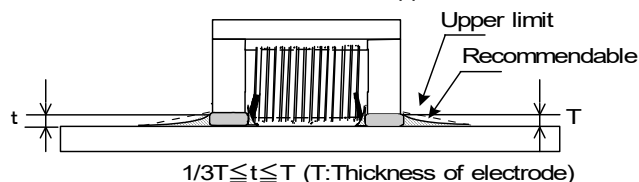
The following conditions must be strictly followed when using a soldering iron after being mounted by reflow soldering.

- Pre-heating: 150°C, 1 min
- Soldering iron output: 30W max.
- Tip temperature: 350°C max.
- Tip diameter: φ3mm max.
- Soldering time : 3(+1,-0) seconds.
- Times : 2times max.

Notes : Do not touch the products directly with the soldering iron.

3. Solder Volume

Solder shall be used not to be exceeded the upper limits as shown below.



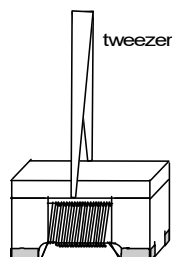
Accordingly increasing the solder volume, the mechanical stress to Chip is also increased. Exceeding solder volume may cause the failure of mechanical or electrical performance. In case if the solder volume is much, we recommend to make the size of the solder paste with less than the land pattern.

4. Solder fillet

Solder fillet in lateral direction is not formed in some case because of product's structure, but it is not something that affects product's performance and reliability.

13.9 Caution for use

- When you hold products with a tweezer, please hold like a figure of the right side, and sharp material, such as a pair of tweezers, shall not be touched to the winding portion to prevent the breaking of wire.
- Mechanical shock should not be applied to the products mounted on the board to prevent the breaking of the core.

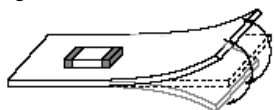


13.10 Handling of a substrate

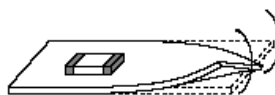
After mounting products on a substrate, do not apply any stress to the product caused by bending or twisting to the substrate when cropping the substrate, inserting and removing a connector from the substrate or tightening screw to the substrate.

Excessive mechanical stress may cause cracking in the product.

Bending



Twisting



13.11 Brushing of neighborhood of products

When you clean the neighborhood of products such as connector pins, bristles of cleaning brush shall not be touched to the winding portion to prevent the breaking of wire.

13.12 Operating Environment

Do not use this product under the following environmental conditions, on deterioration of the performance, such as insulation resistance may result from the use.

- (1) in corrosive gases (acidic gases, alkaline gases, chlorine, sulfur gases, organic gases and etc.)
- (2) in the atmosphere where liquid such as organic solvent, may splash on the products.

13.13 Storage Condition

(1) Storage period

Use the products within 12 months after delivered.

Solderability should be checked if this period is exceeded.

(2) Storage environment conditions

· Products should be stored in the warehouse on the following conditions.

Temperature : -10 ~ +40°C

Humidity : 15 to 85% relative humidity No rapid change on temperature and humidity.

· Products should not be stored in corrosive gases, such as sulfurous, acid gases, alkaline gases, to prevent the following deterioration.

Poor solderability due to the oxidized electrode.

- Products should be stored on the palette for the prevention of the influence from humidity, dust and so on.
- Products should be stored in the warehouse without heat shock, vibration, direct sunlight and so on.
- Avoid storing the product by itself bare (i.e. exposed directly to air).

(3) Delivery

Care should be taken when transporting or handling product to avoid excessive vibration or mechanical shock.

14. ⚠ Note

- (1) Please make sure that your product has been evaluated in view of your specifications with our product being mounted to your product.
- (2) You are requested not to use our product deviating from the reference specifications.
- (3) The contents of this reference specification are subject to change without advance notice. Please approve our product specifications or transact the approval sheet for product specifications before ordering.