



26.0x26.0x22.7mm[®]

Features

- Large switching capacity up to 50A
- Small size and light weight
- PCB pin and quick connect mounting available
- Low temperature rise at full load



Contact Data*

Contact Arrangement	1A = SPST N.O. 1C = SPDT
Contact Rating	1A : 50A @ 14VDC 1C : 50A @ 14VDC N.O. : 30A @ 14VDC N.C.

Contact Resistance	≤ 50 milliohms initial
Contact Material	AgSnO ₂
Maximum Switching Power	700W
Maximum Switching Voltage	75VDC
Maximum Switching Current	50A

Coil Data*

Coil Voltage VDC		Coil Resistance Ω +/- 10%		Pick Up Voltage VDC (max) 70% of rated voltage	Release Voltage VDC (min) 10% of rated voltage	Coil Power W	Operate Time ms	Release Time ms
Rated	Max	without Resistor	with Resistor					
12	15.6	90	80	7.8	1.2	1.6	≤ 10	≤ 10
24	31.2	360	320	15.6	2.4			

General Data*

Electrical Life @ rated load	100K cycles, average	
Mechanical Life	10M cycles, average	
Insulation Resistance	100MΩ min. @ 500VDC initial	
Dielectric Strength	Coil to Contact	750V rms min. @ sea level initial
	Contact to Contact	500V rms min. @ sea level initial
Shock Resistance	294m/s ² for 11 ms	
Vibration Resistance	10mm double amplitude 10~22.3Hz	
Terminal (Copper Alloy) Strength	8N (quick connect), 4N (PCB pins)	
Operating Temperature	-40°C to +125°C	
Storage Temperature	-40°C to +155°C	
Solderability	260°C for 5 s	
Weight	35g	

* Values can change due to the switching frequency, desired reliability levels, environmental conditions and in-rush load levels. It is recommended to test actual load conditions for the application. It is the user's responsibility to determine the performance suitability for their specific application. The use of any coil voltage less than the rated coil voltage may compromise the operation of the relay.

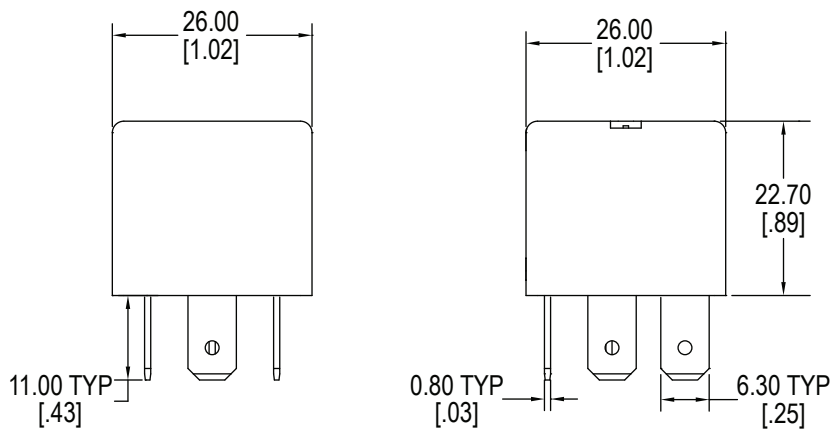


Ordering Information

1. Series	A2H	1C	S	Q	12VDC	1.6	
A2H standard A2HF with mounting flange A2HM with metal bracket							
2. Contact Arrangement							
1A = SPST N.O. 1C = SPDT							
3. Sealing Option							
S = Sealed C = Dust Cover							
4. Termination							
P = PCB Pins Q = Quick Connect							
5. Coil Voltage							
12VDC 24VDC							
6. Coil Power							
1.6 = 1.6W							
7. Coil Suppression							
Blank = Standard D = Diode (1N4005) Cathode on "86" terminal R = Resistor (680Ω for 12VDC; 2700Ω for 24VDC)							

Dimensions

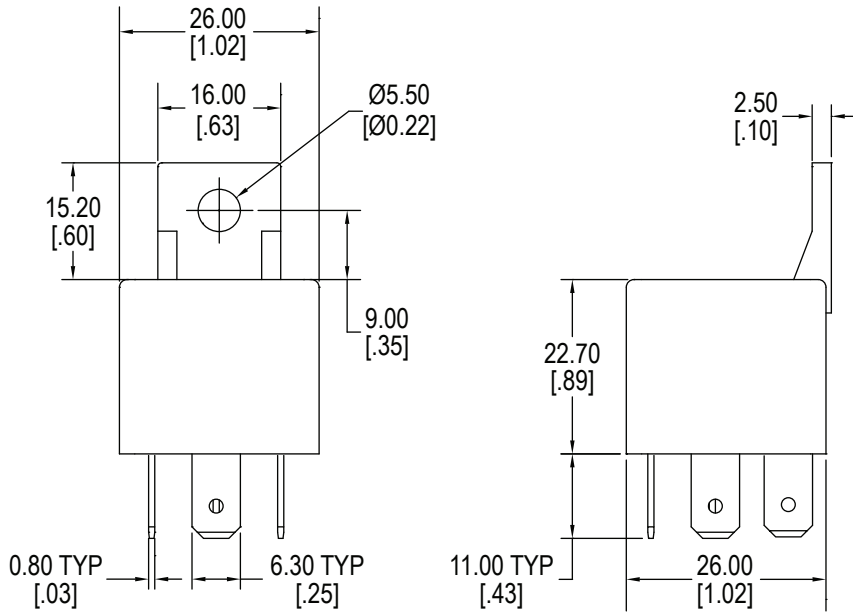
Units = mm



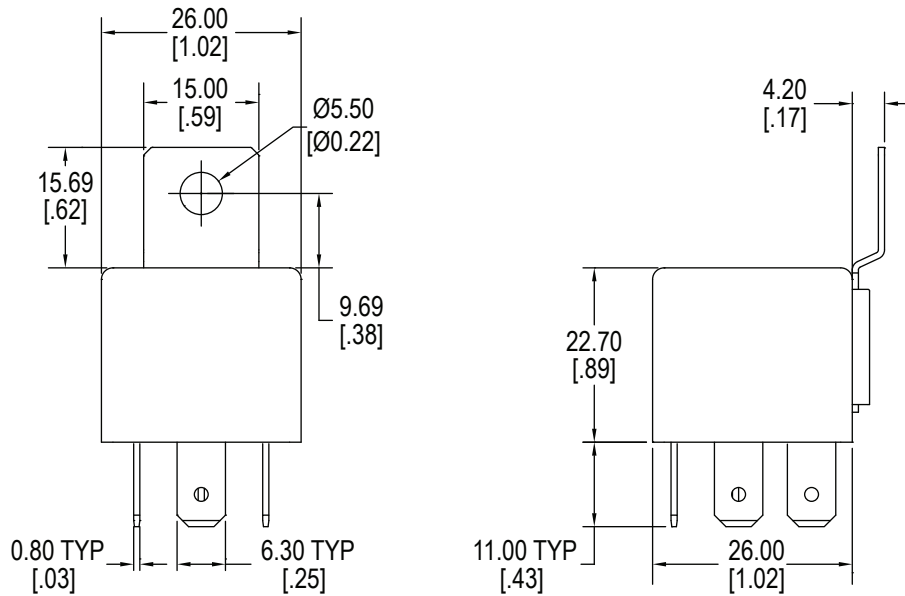
A2H Standard

Dimensions

Units = mm



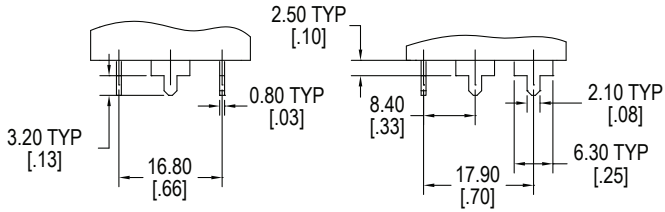
A2HF Mounting Flange



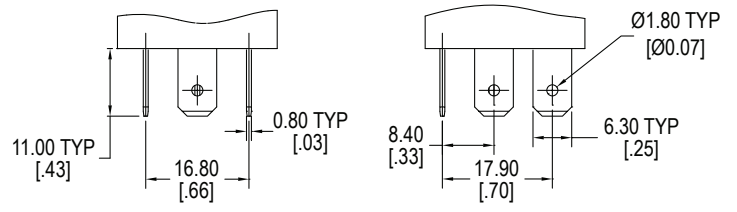
A2HM Metal Bracket

Termination Options

Units = mm



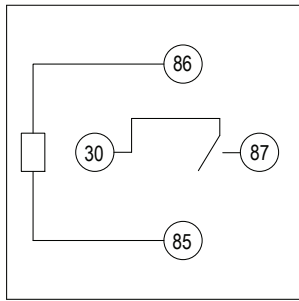
PC Pins



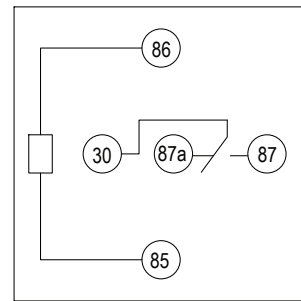
Quick Connect

Schematics

Bottom Views



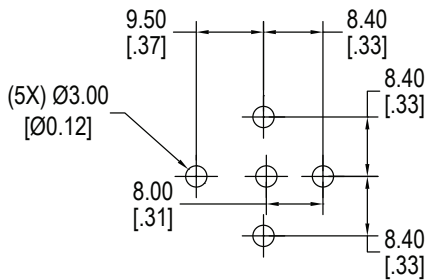
1A



1C

Suggested Layout

Bottom Views



PCB Pins