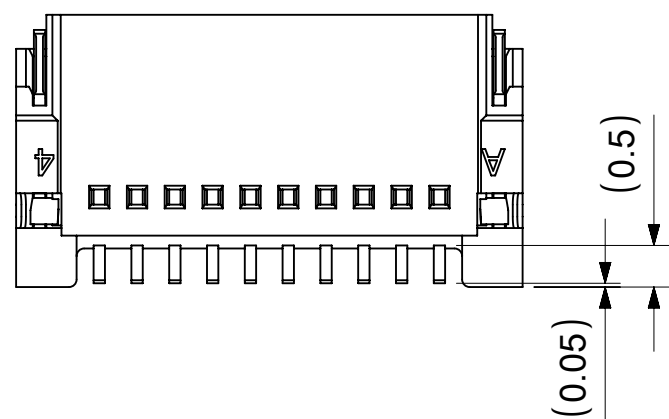
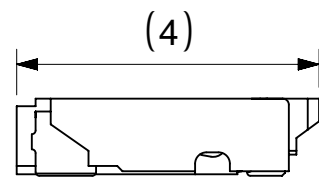
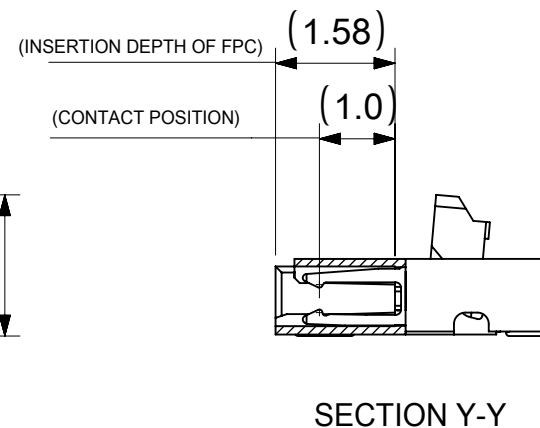
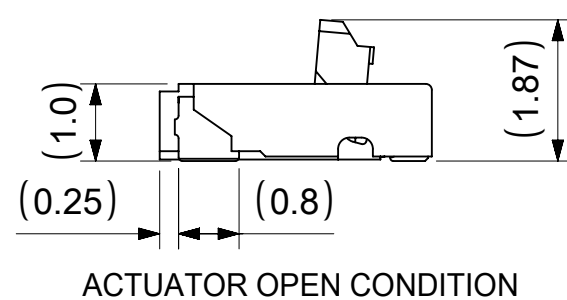
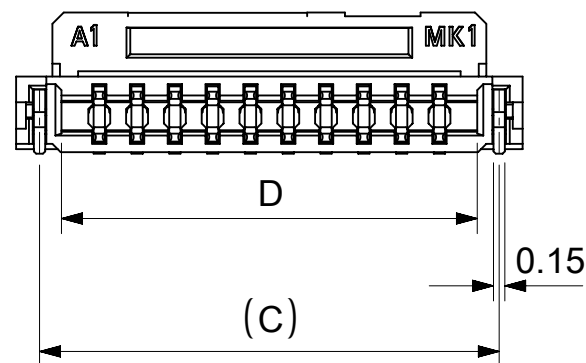


METAL MASK THICKNESS : 0.1mm
 OPENING AREA : TERM.(0.7X0.3)
 NAIL(1.0X0.3)



20.5	21.08	19.5	21.7	503480-4000	40
19.5	20.08	18.5	20.7	503480-3800	38
18.5	19.08	17.5	19.7	503480-3600	36
17.5	18.08	16.5	18.7	503480-3400	34
16.5	17.08	15.5	17.7	503480-3200	32
15.5	16.08	14.5	16.7	503480-3000	30
14.5	15.08	13.5	15.7	503480-2800	28
13.5	14.08	12.5	14.7	503480-2600	26
12.5	13.08	11.5	13.7	503480-2400	24
11.5	12.08	10.5	12.7	503480-2200	22
10.5	11.08	9.5	11.7	503480-2000	20
9.5	10.08	8.5	10.7	503480-1800	18
9.0	9.58	8.0	10.2	503480-1700	17
8.5	9.08	7.5	9.7	503480-1600	16
7.5	8.08	6.5	8.7	503480-1400	14
6.5	7.08	5.5	7.7	503480-1200	12
5.5	6.08	4.5	6.7	503480-1000	10
4.5	5.08	3.5	5.7	503480-0800	8
3.5	4.08	2.5	4.7	503480-0600	6
3.0	3.58	2.0	4.2	503480-0500	5
2.5	3.08	1.5	3.7	503480-0400	4
D	C	B	A	EMBOSSED PACKAGE ORDER NO.	CIRCUIT

CONNECTOR SERIES No. 503480-**09

FUNCTIONAL SYMBOLS FA = 0 FE = 0 FE/P = 0	THIS DRAWING CONTAINS INFORMATION THAT IS PROPRIETARY TO MOLEX ELECTRONIC TECHNOLOGIES, LLC AND SHOULD NOT BE USED WITHOUT WRITTEN PERMISSION	SCALE 10:1	CURRENT REV DESC:			
	GENERAL TOLERANCES (UNLESS SPECIFIED) ANGULAR TOL ± 1.0° 4 PLACES ± 0.2 3 PLACES ± 0.2 2 PLACES ± 0.2 1 PLACE ± 0.2 0 PLACES ± 0.2	EC NO: 676145 DRWN: ICYANG CHK'D: SHCHU APPR: SHCHU	2021/07/21 2021/09/02 2021/09/02	<p>0.5 FPC CONN. E/O BACKFLIP H=1.0MM ASSEMBLY</p> <p>PRODUCT CUSTOMER DRAWING</p>		
DIVISIONAL SYMBOLS	INITIAL REVISION: DRWN: THIRAYAMA APPR: KMORIKAWA	2009/12/11 2009/12/14	DOCUMENT NUMBER SD-503480-001			
DRAFT WHERE APPLICABLE MUST REMAIN WITHIN DIMENSIONS	THIRD ANGLE PROJECTION	DRAWING A3-SIZE	SERIES 503480	MATERIAL NUMBER SEE TABLE	CUSTOMER GENERAL MARKET	SHEET NUMBER 1 OF 2

NOTES

1. PART COMPOSITION

HOUSING MATERIAL: LIQUID CRYSTAL POLYMER(LCP), GLASS FILLED, UL94V-0, NATURAL(WHITE)

TERMINAL MATERIAL: PHOSPHOR BRONZE

CONTACT AREA : SEPARATED GOLD PLATING (0.1 MICROMETER MINIMUM)

SOLDER TAIL AREA : SEPARATED GOLD PLATING

UNDERPLATE : NICKEL OVERALL (1.0 MICROMETER MINIMUM)

ACTUATOR MATERIAL : POLYAMIDE(PA), GLASS FILLED, UL94 HB, BLACK

NAIL MATERIAL: PHOSPHOR BRONZE

SOLDER TAIL AREA : TIN OVERALL(1.0 MICROMETER MINIMUM)
UNDERPLATE : NICKEL OVERALL(1.0 MICROMETER MINIMUM)

2 . PLEASE DO NOT OPERATE THE ACTUATOR BEFORE MOUNTING.

3. PLEASE OPERATE THE ACTUATOR AFTER INSERTING THE FPC INTO THE CONNECTOR.

4. ABOUT FPC

RECOMMENDED STIFFENER MATERIAL: POLYIMIDE
RECOMMENDED BASE FILM THICKNESS: 25 MICROMETER
RECOMMENDED ADHESIVE: THERMOSETTING ADHESIVE
NOTE: PLEASE PUT APPROPRIATE AMOUNT OF ADHESIVE ON ADHEREND BECAUSE THERE IS A POSSIBILITY THAT THE EXTRA ADHESIVE CAUSES THE DEFECT IN ELECTRICAL CONTINUITY.

RECOMMENDED PUNCHER DIRECTION:
FROM CONDUCTOR SIDE TO STIFFENER FILM SIDE.
RECOMMENDED CONDUCTOR SPECIFICATION:
THICKNESS OF SOFT COPPER FOIL: 35MICROMETER

5 R0.3 MUST NOT BE OVERLAPPED TO PATTERN OF FPC.

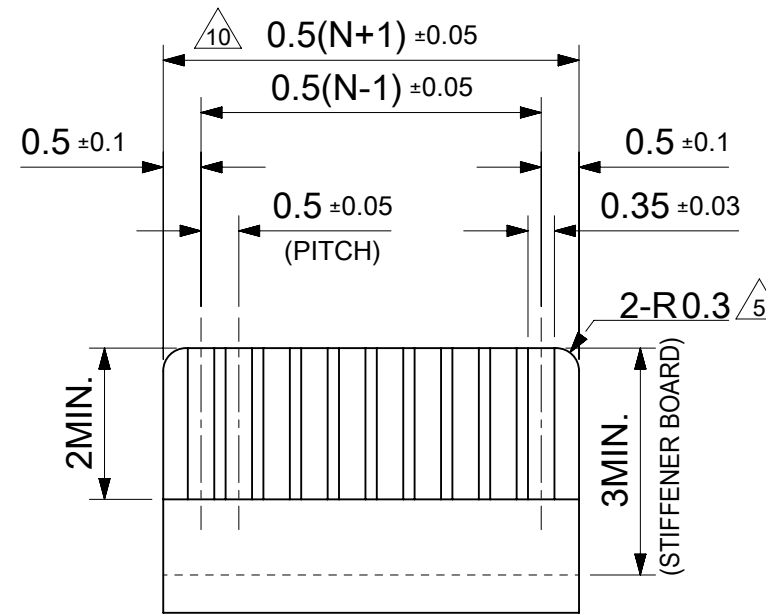
6. COPLANARITY : 0.1 MAXIMUM

7. PLEASE RECOGNIZE A POSSIBILITY TO CHANGE THE SHAPE OF THE PART THAT DOES NOT OBSTRUCT A FUNCTION, BY CIRCUMSTANCES IN OUR PRODUCTION.

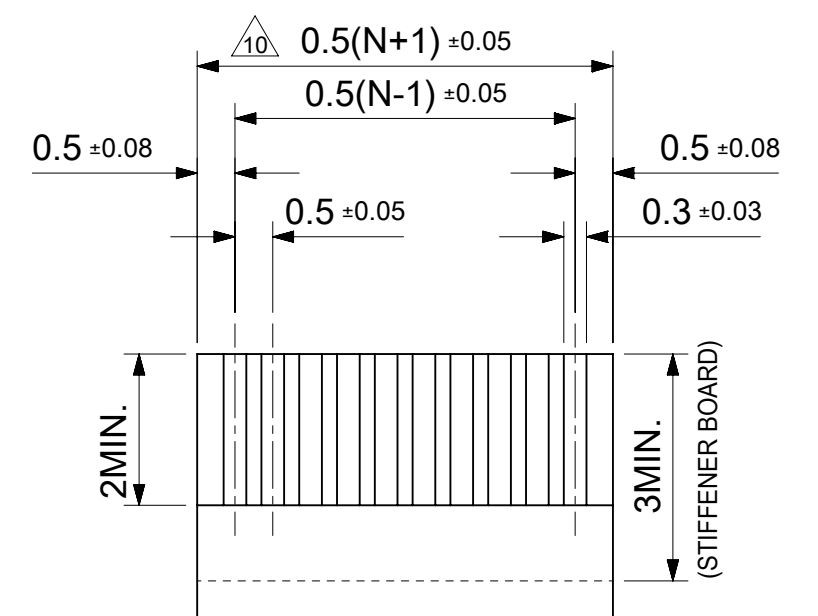
8. THIS PRODUCT IS DELIVERED WITH THE ACTUATOR IN THE OPEN POSITION.

9. THIS PRODUCT IS DUAL-CONTACT (TOP- AND BOTTOM-CONTACTS) TYPE CONNECTOR.

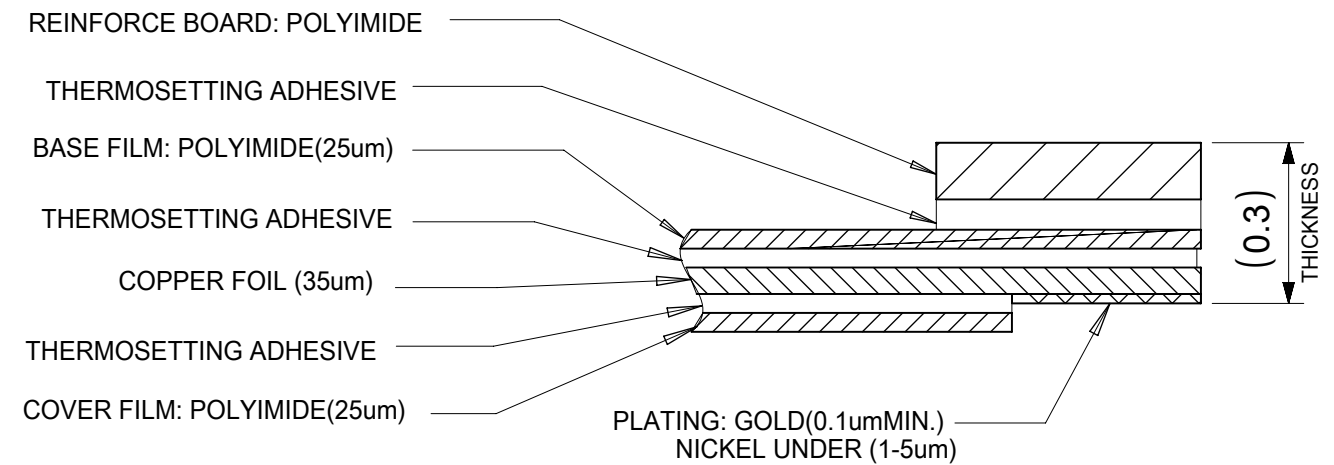
10 PLEASE CONFIRM TO INSERT FPC IN ADVANCE WHEN FPC WIDTH IS OVER $0.5(N+1)+0.02$.



APPLICABLE FPC RECOMMENDED DIMENSION N:CIRCUITS
(THICKNESS : 0.3±0.05) : 30 OR LESS CIRCUITS
(THICKNESS : 0.3±0.03) : 31 OR OVER CIRCUITS

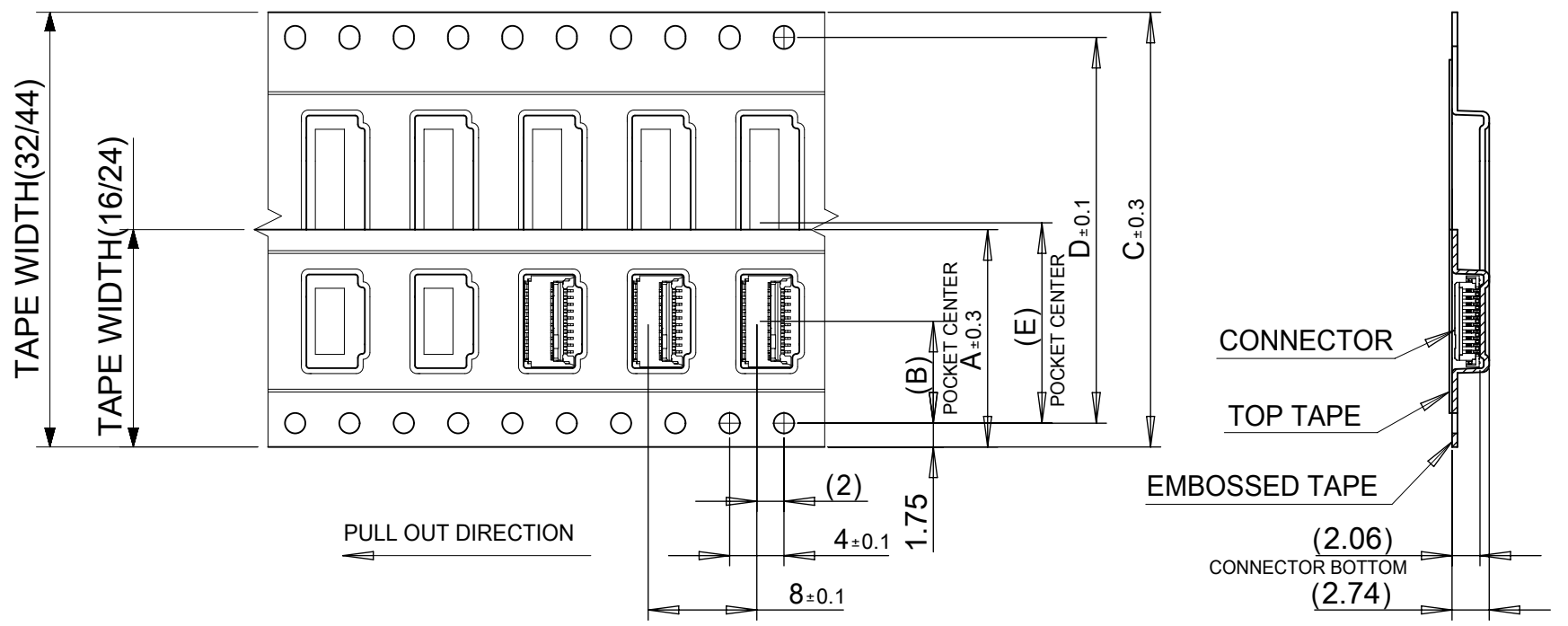
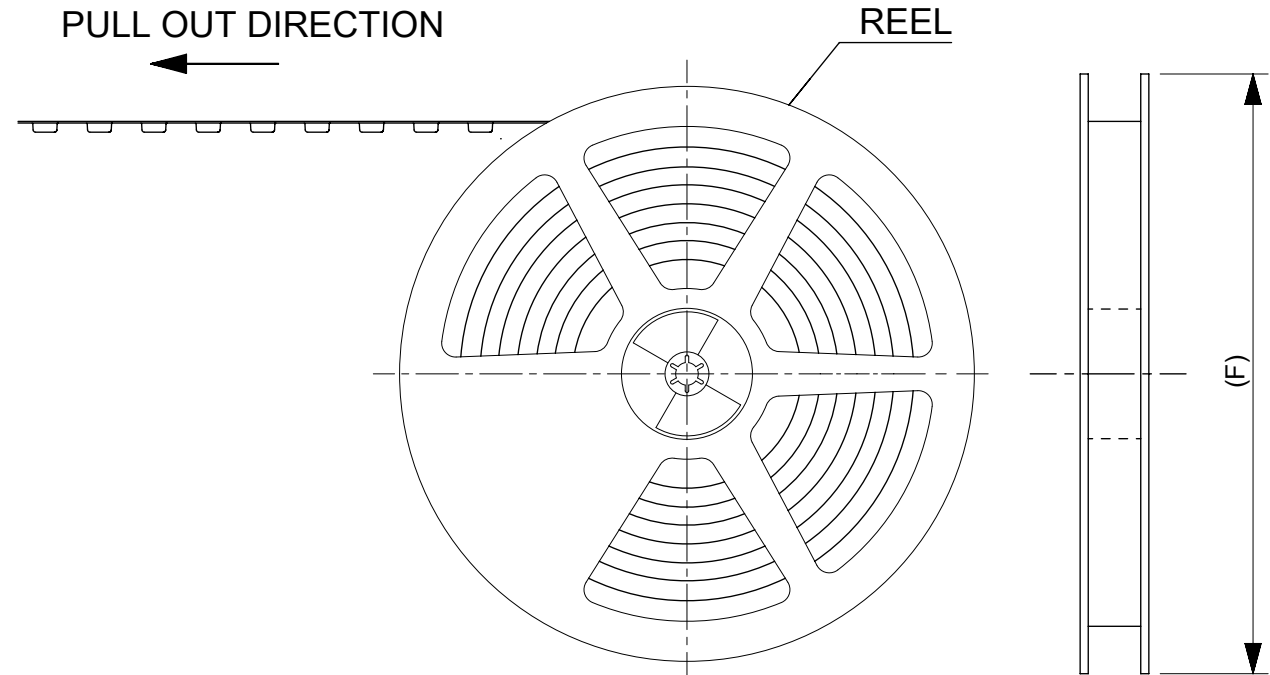


APPLICABLE FFC RECOMMENDED DIMENSION N:CIRCUITS



STRUCTURE OF FPC

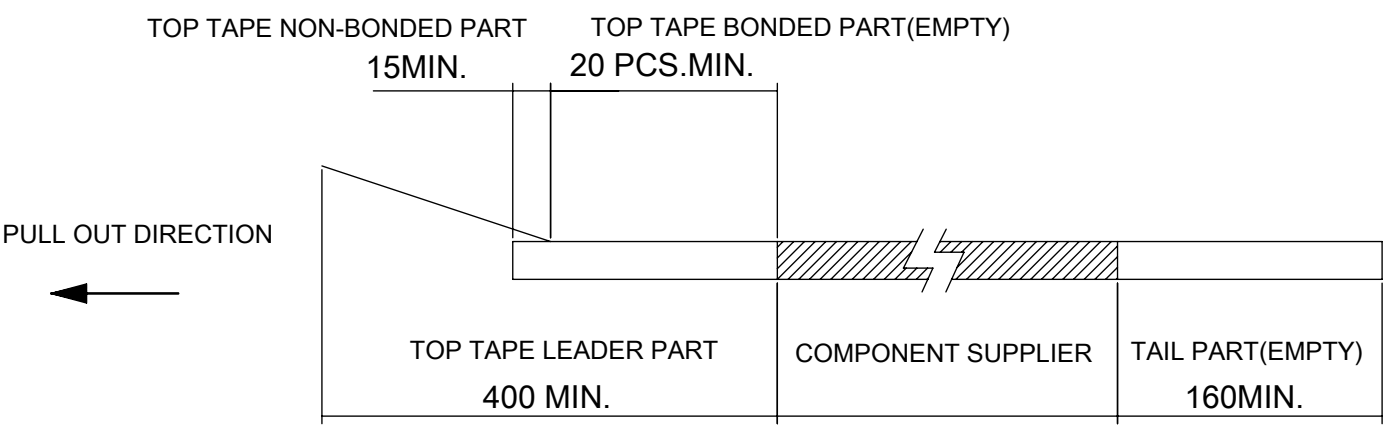
FUNCTIONAL SYMBOLS	THIS DRAWING CONTAINS INFORMATION THAT IS PROPRIETARY TO MOLEX ELECTRONIC TECHNOLOGIES, LLC AND SHOULD NOT BE USED WITHOUT WRITTEN PERMISSION		CURRENT REV DESC:		molex					
	△/A = 0	mm						SCALE 10:1		
DIVISIONAL SYMBOLS	GENERAL TOLERANCES (UNLESS SPECIFIED)		EC NO: 676145		PRODUCT CUSTOMER DRAWING					
	△/E = 0	ANGULAR TOL ± 1.0°		DRWN: ICYANG				2021/07/21		
	△/F = 0	4 PLACES	± 0.2	CHK'D: SHCHU	2021/09/02	DOCUMENT NUMBER		DOC TYPE	DOC PART	REVISION
	3 PLACES	± 0.2	APPR: SHCHU	2021/09/02	SD-503480-001		PSD	001	H2	
2 PLACES	± 0.2	INITIAL REVISION:		MATERIAL NUMBER		CUSTOMER		SHEET NUMBER		
1 PLACE	± 0.2	DRWN: THIRAYAMA		2009/12/11	SEE TABLE		GENERAL MARKET		2 OF 2	
0 PLACES	± 0.2	APPR: KMORIKAWA		2009/12/14	A3-SIZE		503480			
DRAFT WHERE APPLICABLE MUST REMAIN WITHIN DIMENSIONS		THIRD ANGLE PROJECTION		DRAWING		SERIES		MATERIAL NUMBER		CUSTOMER
				A3-SIZE		503480		SEE TABLE		GENERAL MARKET



DIRECTION OF CONNECTOR IN EMBOSSSED TAPE

NOTES

1. IN THE PACKAGE, PART NO.503480-**09 DETAILED DIMENSIONS. REFER TO SD-503480-001
2. NUMBER OF CONNECTORS : 3000PCS/REEL
3. LEAD TAPE LENGTH



4. MATERIAL

CARRIER TAPE : PET
 TOP TAPE : PET,OTHER
 REEL : PS (RECYCLE MATERIAL CONTAINED)

5. COVER TAPE PEEL FORCE IS DEFINED BY IEC60286-3.

380	20.2	40.4	44	-	-	44	503480-4000 (E1) 40	
							503480-3800 (E1) 38	
							503480-3600 (E1) 36	
330	14.2	28.4	32	-	-	32	503480-3400 (E1) 34	
							503480-3200 32	
380							503480-3000 (E1) 30	
							503480-2800 (E1) 28	
							503480-2600 26	
							503480-2400 24	
							503480-2200 22	
				11.5	24	24	503480-2000 20	
							503480-1800 18	
							503480-1700 17	
							503480-1600 16	
							503480-1400 14	
							503480-1200 12	
							503480-1000 10	
				7.5	16	16	503480-0800 8	
							503480-0600 6	
							503480-0500 5	
							503480-0400 4	
F	E	D	C	B	A	TAPE WIDTH	ORDER NO.	CIRCUIT

FUNCTIONAL SYMBOLS	THIS DRAWING CONTAINS INFORMATION THAT IS PROPRIETARY TO MOLEX ELECTRONIC TECHNOLOGIES, LLC AND SHOULD NOT BE USED WITHOUT WRITTEN PERMISSION		CURRENT REV DESC:		
▽A = 0	mm	NTS			
▽E = 0	GENERAL TOLERANCES (UNLESS SPECIFIED)				
▽F = 0	ANGULAR TOL ± 3.0°				
DIVISIONAL SYMBOLS					
4 PLACES ±					
3 PLACES ±					
2 PLACES ±					
1 PLACE ±					
0 PLACES ±					
DRAFT WHERE APPLICABLE MUST REMAIN WITHIN DIMENSIONS		THIRD ANGLE PROJECTION	DRAWING	SERIES	
		⊕	A3-SIZE	503480	
		EC NO: 676145		2021/07/21	
		DRWN: ICYANG		2021/09/02	
		CHK'D: SHCHU		2021/09/02	
		APPR: SHCHU			
		INITIAL REVISION:			
		DRWN: THIRAYAMA		2009/12/11	
		APPR: KMORIKAWA		2009/12/14	
		DOCUMENT NUMBER		DOC TYPE	
		SD-503480-002		PSD	
		MATERIAL NUMBER		CUSTOMER	
		SEE TABLE		GENERAL MARKET	
		SHEET NUMBER		1 OF 1	

(E2) 10 UNDER : ±0.20
 10 OVER 30 UNDER : ±0.25
 30 OVER : ±0.30