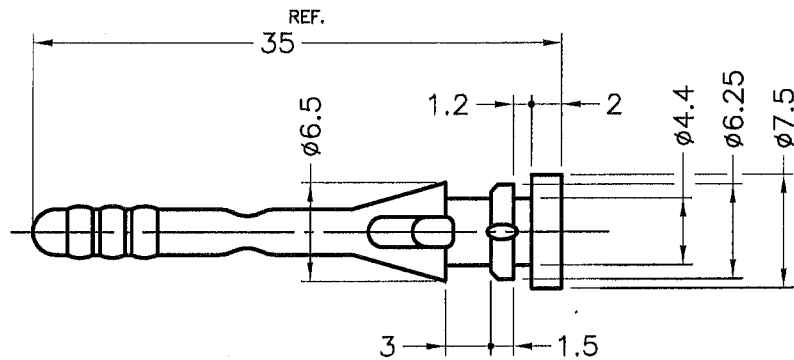


DIM.	TOL
5mm DOWN	±0.2
5~20mm	±0.3
20~40mm	±0.4
40~60mm	±0.5
60~100mm	±0.8
100mm UP	±1.0


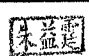
REVISIONS			
REV	DESCRIPTION	DATE	BY



MOUNTING HOLE $\phi 4.2\text{mm}$

PART NO.	MATERIAL	HARDNESS
BUB-35G	TPE	45°±10°
BUB-35H	TPE	55°±10°

NOTE: All measurement does not include gate which raises under 1.2mm.

 <p>康揚企業股份有限公司 KANG YANG HARDWARE ENTERPRISE CO., LTD. 康揚塑膠(東莞)有限公司 KANG YANG PLASTIC(DONG GUAN) CO., LTD. 康哲電腦配件(吳江)有限公司 KANG CHE COMPUTER COMPONENTS(WUJIANG) CO., LTD.</p>	TITLE FAN SNAP RIVET		SPEC. DWG	
	MATERIAL SEE ABOVE		DATE 2005.09.28	
	HARDNESS SEE ABOVE		DRAWN Linda	
	COLOR BLACK		CHECK 	
PART NUMBER SEE ABOVE	DRAWING NUMBER BUB-35		UNLESS OTHERWISE SPECIFIED TOLERANCE SEE ABOVE	
SIZE A4	SCALE 2:1	UNIT mm	REV A	APPROVED Kang