



NEO-M9N-00B

Standard precision GNSS module

Data sheet



Abstract

This data sheet describes the u-blox NEO-M9N-00B GNSS module. NEO-M9N-00B offers ultra-robust meter-level GNSS positioning performance with concurrent reception of up to four GNSS (GPS, GLONASS, BeiDou, Galileo) in a 12.2 x 16.0 mm package.

www.u-blox.com

UBX-19014285 - R05
C1-Public



Document information

Title	NEO-M9N-00B	
Subtitle	Standard precision GNSS module	
Document type	Data sheet	
Document number	UBX-19014285	
Revision and date	R05	09-Jul-2021
Disclosure restriction	C1-Public	

Product status	Corresponding content status	
In development / prototype	Objective specification	Target values. Revised and supplementary data will be published later.
Engineering sample	Advance information	Data based on early testing. Revised and supplementary data will be published later.
Initial production	Early production information	Data from product verification. Revised and supplementary data may be published later.
Mass production / End of life	Production information	Document contains the final product specification.

This document applies to the following products:

Product name	Type number	FW version	IN/PCN reference	Product status
NEO-M9N	NEO-M9N-00B-00	SPG 4.04	UBX-21029274	Mass production

u-blox or third parties may hold intellectual property rights in the products, names, logos and designs included in this document. Copying, reproduction, modification or disclosure to third parties of this document or any part thereof is only permitted with the express written permission of u-blox.

The information contained herein is provided "as is" and u-blox assumes no liability for its use. No warranty, either express or implied, is given, including but not limited to, with respect to the accuracy, correctness, reliability and fitness for a particular purpose of the information. This document may be revised by u-blox at any time without notice. For the most recent documents, visit www.u-blox.com.

Copyright © 2021, u-blox AG.

Contents

1 Functional description.....	4
1.1 Overview.....	4
1.2 Performance.....	4
1.3 Supported GNSS constellations.....	5
1.4 Supported protocols.....	6
1.5 Firmware features.....	6
2 System description.....	7
2.1 Block diagram.....	7
3 Pin definition.....	8
3.1 Pin assignment.....	8
4 Electrical specification.....	10
4.1 Absolute maximum ratings.....	10
4.2 Operating conditions.....	10
4.3 Indicative power requirements.....	11
5 Communications interfaces.....	12
5.1 UART.....	12
5.2 SPI.....	12
5.3 I2C.....	13
5.4 USB.....	15
5.5 Default interface settings.....	15
6 Mechanical specification.....	16
7 Reliability tests and approvals.....	17
7.1 Approvals.....	17
8 Labeling and ordering information.....	18
8.1 Product labeling.....	18
8.2 Explanation of product codes.....	18
8.3 Ordering codes.....	18
Related documents.....	19
Revision history.....	20

1 Functional description

1.1 Overview

The NEO-M9N-00B GNSS receiver features the u-blox M9 standard precision GNSS platform, and provides exceptional sensitivity and acquisition times for all L1 GNSS systems. u-blox M9 receivers are available in different variants to serve automotive and industrial tracking applications, such as navigation, telematics and UAVs.

The u-blox M9 standard precision GNSS platform, which delivers meter-level accuracy, succeeds the well-known u-blox M8 product range.

u-blox M9 receivers support concurrent reception of four GNSS. The high number of visible satellites allows the receiver to select the best signals. This maximizes the position accuracy, in particular under challenging conditions such as deep urban canyons.

u-blox M9 receivers detect jamming and spoofing events and report them to the host, which allows the system to react to such events. Advanced filtering algorithms mitigate the impact of RF interference and jamming, thus enabling the product to operate as intended.

The receiver also provides higher navigation rate and improved security features compared to previous u-blox GNSS generations.

The NEO-M9N-00B module is available in the 12.2 x 16.0 mm NEO form factor LCC package.

1.2 Performance

Parameter	Specification					
Receiver type	Multi-constellation GNSS standard precision receiver					
Accuracy of time pulse signal	RMS	30 ns				
	99%	60 ns				
Frequency of time pulse signal						0.25 Hz to 10 MHz (configurable)
Operational limits ¹	Dynamics	≤ 4 g				
	Altitude	80,000 m				
	Velocity	500 m/s				
Velocity accuracy ²						0.05 m/s
Dynamic heading accuracy ²						0.3 deg
GNSS		GPS+GLO+GAL+BDS	GPS+GLO+GAL	GPS+GLO	GPS+BDS	GPS+GAL
Acquisition ³	Cold start	24 s	25 s	26 s	28 s	29 s
	Hot start	2 s	2 s	2 s	2 s	2 s
	Aided start ⁴	2 s	2 s	2 s	2 s	2 s
Nav. update rate	PVT	25 Hz	25 Hz	25 Hz	25 Hz	25 Hz

¹ Assuming Airborne 4 g platform

² 50% at 30 m/s for dynamic operation

³ Commanded starts. All satellites at -130 dBm. GPS always in combination with QZSS and SBAS. Measured at room temperature.

⁴ Dependent on the speed and latency of the aiding data connection, commanded starts.

GNSS		GPS+GLO+GAL+BDS	GPS+GLO+GAL	GPS+GLO	GPS+BDS	GPS+GAL
Sensitivity ⁵	Tracking and nav.	-167 dBm	-167 dBm	-167 dBm	-166 dBm	-166 dBm
	Reacquisition	-160 dBm	-160 dBm	-160 dBm	-160 dBm	-160 dBm
	Cold start	-148 dBm	-148 dBm	-148 dBm	-148 dBm	-148 dBm
	Hot start	-159 dBm	-159 dBm	-159 dBm	-159 dBm	-159 dBm
Position accuracy	PVT	2.0 m CEP	2.0 m CEP	2.0 m CEP	2.0 m CEP	2.0 m CEP

Table 1: NEO-M9N-00B typical performance in multi-constellation GNSS modes

GNSS		GPS	GLONASS	BEIDOU	GALILEO
Acquisition ³	Cold start	29 s	27 s	32 s	42 s
	Hot start	2 s	2 s	2 s	2 s
	Aided start ⁴	2 s	2 s	2 s	5 s
Nav. update rate	PVT	25 Hz	25 Hz	25 Hz	25 Hz
Sensitivity ⁵	Tracking and nav.	-166 dBm	-166 dBm	-160 dBm	-159 dBm
	Reacquisition	-160 dBm	-155 dBm	-157 dBm	-154 dBm
	Cold start	-148 dBm	-145 dBm	-145 dBm	-140 dBm
	Hot start	-159 dBm	-156 dBm	-159 dBm	-154 dBm
Position accuracy	PVT	2.0 m CEP	4.0 m CEP	3.0 m CEP	3.0 m CEP

Table 2: NEO-M9N-00B typical performance in single-GNSS modes

1.3 Supported GNSS constellations

The NEO-M9N-00B is a concurrent GNSS receiver which can receive and track multiple GNSS systems. The NEO-M9N-00B receiver can be configured for concurrent GPS, GLONASS, Galileo and BeiDou plus SBAS and QZSS reception. If power consumption is a key factor, then the receiver can be configured for a subset of GNSS constellations.

Supported GNSS systems and their signals are:

GPS / QZSS	GLONASS	Galileo	BeiDou
L1C/A (1575.42 MHz)	L1OF (1602 MHz + k*562.5 kHz, k = -7,..., 5, 6)	E1-B/C (1575.42 MHz)	B1I (1561.098 MHz)

Table 3: Supported GNSS systems and signals

The following GNSS assistance services can be activated:

AssistNow™ Online	AssistNow™ Offline	AssistNow™ Autonomous
Supported	Supported	Supported ⁶

Table 4: Supported assisted GNSS (A-GNSS) services

NEO-M9N-00B supports the following augmentation systems:

SBAS	QZSS	IMES	Differential GNSS
EGNOS, GAGAN, MSAS and WAAS supported	L1S supported	Not supported	RTCM 3.3

Table 5: Supported augmentation systems


The SBAS and QZSS augmentation systems can be enabled only if GPS operation is also enabled.

⁵ Demonstrated with a good external LNA. Measured at room temperature.

⁶ AssistNow Autonomous is enabled by default.

1.4 Supported protocols

The NEO-M9N-00B supports the following protocols:

Protocol	Type
UBX	Input/output, binary, u-blox proprietary
NMEA 4.10 (default), 4.0, 2.3, and 2.1	Input/output, ASCII
RTCM 3.3	Input, binary

Table 6: Supported protocols

For specification of the protocols, see the interface description [1].

1.5 Firmware features

Feature	Description
Assisted GNSS	AssistNow Online, AssistNow Offline and AssistNow Autonomous supported
Backup modes	Hardware backup mode, software backup mode
Data batching	Autonomous tracking up to 5 min.
Data-logger	Position, velocity, time, and odometer data
Geofencing	Up to 4 circular areas
Power save modes	On/off, cyclic
Odometer	Measure traveled distance with support for different user profiles
Upgradeable firmware	Firmware in flash memory can be upgraded

Table 7: Firmware features

Feature	Description
Anti-jamming	RF interference and jamming detection and reporting; Active GNSS in-band filtering
Anti-spoofing	Spoofing detection and reporting
Configuration lockdown	Receiver configuration can be locked by command
Message integrity	All messages signed with SHA-256
Secure boot	Only signed FW images executed

Table 8: Security features

2 System description

2.1 Block diagram

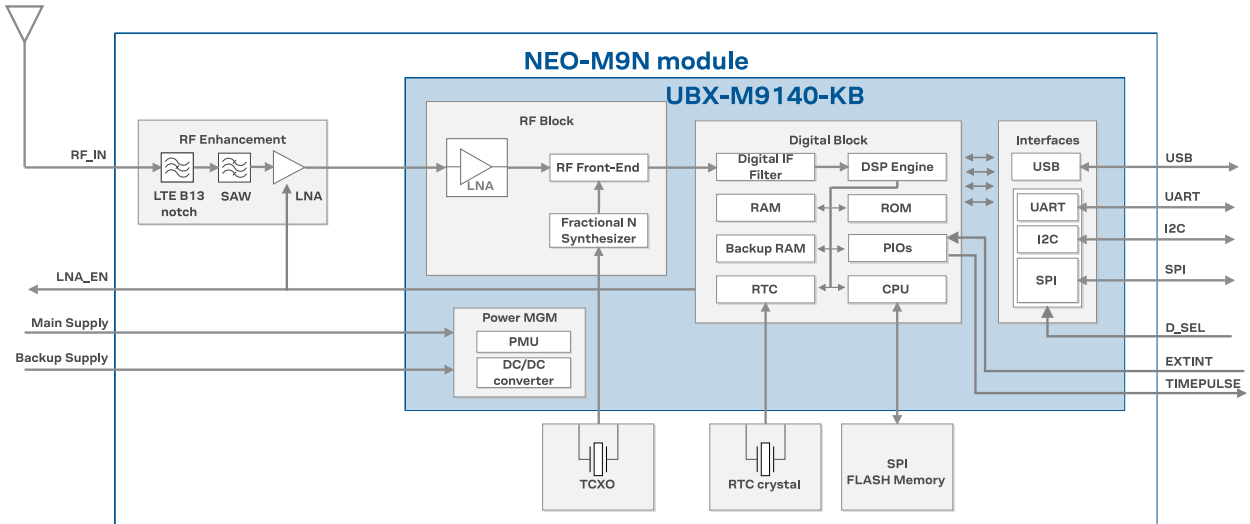


Figure 1: NEO-M9N-00B block diagram

3 Pin definition

3.1 Pin assignment

The pin assignment of the NEO-M9N-00B module is shown in [Figure 2](#). The defined configuration of the PIOs is listed in [Table 9](#).

For detailed information on pin functions and characteristics, see the integration manual [\[2\]](#).

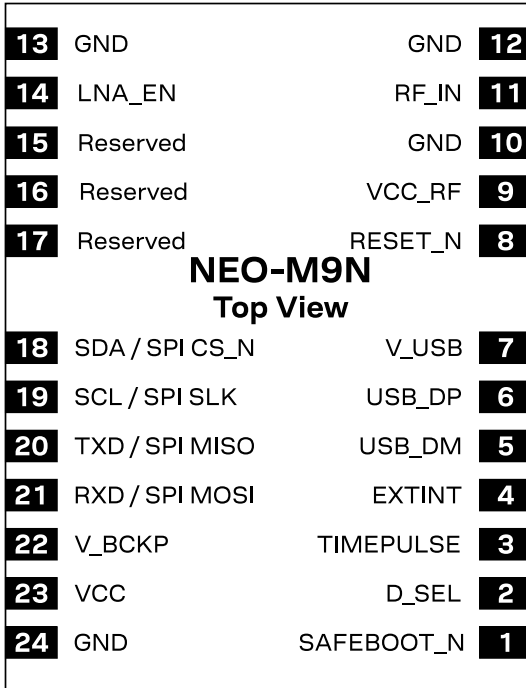


Figure 2: NEO-M9N-00B pin assignment

Pin no.	Name	I/O	Description
1	SAFEBOOT_N	I	SAFEBOOT_N (used for FW updates and reconfiguration, leave open)
2	D_SEL	I	Interface select (open or VCC = UART + I2C; GND = SPI)
3	TIMEPULSE	O	TIMEPULSE (1 PPS)
4	EXTINT	I	EXTINT (PIO 7)
5	USB_DM	I/O	USB data (DM)
6	USB_DP	I/O	USB data (DP)
7	V_USB	I	USB supply
8	RESET_N	I	RESET (active low)
9	VCC_RF	O	Voltage for external LNA
10	GND	I	Ground
11	RF_IN	I	GNSS signal input
12	GND	I	Ground
13	GND	I	Ground
14	LNA_EN	O	Antenna/LNA control
15	Reserved	-	Reserved
16	Reserved	-	Reserved




Pin no.	Name	I/O	Description
17	Reserved	-	Reserved
18	SDA / SPI CS_N	I/O	I2C data if D_SEL = VCC (or open); SPI chip select if D_SEL = GND
19	SCL / SPI SLK	I/O	I2C clock if D_SEL = VCC (or open); SPI clock if D_SEL = GND
20	TXD / SPI MISO	O	UART output if D_SEL = VCC (or open); SPI MISO if D_SEL = GND
21	RXD / SPI MOSI	I	UART input if D_SEL = VCC (or open); SPI MOSI if D_SEL = GND
22	V_BCKP	I	Backup voltage supply
23	VCC	I	Supply voltage
24	GND	I	Ground

Table 9: NEO-M9N-00B pin assignment



For detailed information on the pin functions and characteristics see the integration manual [2].


4 Electrical specification

-  The limiting values given are in accordance with the Absolute Maximum Rating System (IEC 134). Stress above one or more of the limiting values may cause permanent damage to the device. These are stress ratings only. Operation of the device at these or at any other conditions above those given below is not implied. Exposure to limiting values for extended periods may affect device reliability.
-  Where application information is given, it is advisory only and does not form part of the specification.
-  For detailed information on the device integration, see the integration manual [2].


4.1 Absolute maximum ratings

Parameter	Symbol	Condition	Min	Max	Units
Power supply voltage	VCC		-0.5	3.6	V
Voltage ramp on VCC ⁷			20	8000	µs/V
Backup battery voltage	V_BCKP		-0.5	3.6	V
Input pin voltage	V _{in}	VCC ≤ 3.1 V	-0.5	VCC + 0.5	V
		VCC > 3.1 V	-0.5	3.6	V
VCC_RF output current	ICC_RF			100	mA
Supply voltage USB	V_USB		-0.5	3.6	V
USB signals	USB_DM, USB_DP		-0.5	V_USB + 0.5 V	
Input power at RF_IN	Pr _{fin}	source impedance = 50 Ω, continuous wave		13 ⁸	dBm
Storage temperature	T _{stg}		-40	+85	°C

Table 10: Absolute maximum ratings

-  The product is not protected against overvoltage or reversed voltages. Voltage spikes exceeding the power supply voltage specification, given in the table above, must be limited to values within the specified boundaries by using appropriate protection diodes.

4.2 Operating conditions

-  All specifications are at an ambient temperature of 25 °C. Extreme operating temperatures can significantly impact the specification values. Applications operating near the temperature limits should be tested to ensure the specification.

Parameter	Symbol	Min	Typical	Max	Units	Condition
Power supply voltage	VCC	2.7	3.0	3.6	V	
Supply voltage for USB interface	V_USB	3.0		3.6	V	
Backup battery voltage	V_BCKP	1.65		3.6	V	
Backup battery current	I_BCKP		36		µA	V_BCKP = 3 V, VCC = 0 V
SW backup current	I_SWBCKP		0.36		mA	
Input pin voltage range	V _{in}	0		VCC	V	
Digital IO pin low level input voltage	V _{il}			0.4	V	

⁷ Exceeding the ramp speed may permanently damage the device

⁸ +13 dBm for outband; 0 dBm for inband

Parameter	Symbol	Min	Typical	Max	Units	Condition
Digital IO pin high level input voltage	V _{ih}	0.8 * VCC			V	
Digital IO pin low level output voltage	V _{ol}			0.4	V	I _{ol} = 2 mA
Digital IO pin high level output voltage	V _{oh}	VCC - 0.4			V	I _{oh} = 2 mA
DC current through any digital I/O pin (except supplies)	I _{pin}			5	mA	
Pull-up resistance for D_SEL, SCL, SDA	R _{pu}	7	15	30	kΩ	
Pull-up resistance for RXD, TXD, SAFEBOOT_N, EXTINT	R _{pu}	30	75	130	kΩ	
Pull-up resistance for RESET_N	R _{pu}	7	10	13	kΩ	
Voltage at USB pins	V_USBIO	0		V_USB	V	
VCC_RF voltage	VCC_RF		VCC - 0.1		V	
VCC_RF output current	ICC_RF			50	mA	
Receiver chain noise figure ⁹	NF _{tot}		3.5		dB	
External gain (at RF_IN)	Ext_gain			30	dB	
Operating temperature	Topr	-40	+25	85	°C	

Table 11: Operating conditions


Operation beyond the specified operating conditions can affect device reliability.

4.3 Indicative power requirements

Table 12 lists examples of the total system supply current including RF and baseband section for a possible application.



Values in Table 12 are provided for customer information only, as an example of typical current requirements. The values are characterized on samples by using a cold start command. Actual power requirements can vary depending on FW version used, external circuitry, number of satellites tracked, signal strength, type and time of start, duration, and conditions of test.

Symbol	Parameter	Conditions	GPS+GLO+GAL+BDS	GPS+GLO	GPS	Unit
I _{PEAK}	Peak current	Acquisition	100	100	100	mA
I _{VCC} ¹⁰	VCC current	Acquisition	50	43	36	mA
		Tracking (Continuous mode)	36	32	28	mA
		Tracking (Power save mode)	21	20	19	mA

Table 12: Currents to calculate the indicative power requirements

All values in Table 12 are measured at 25 °C ambient temperature. SBAS and QZSS are activated in all measurements.

⁹ Only valid for the GPS

¹⁰ Simulated signal, current measured at 3.0 V

5 Communications interfaces

There are several communications interfaces including UART, SPI, I2C¹¹ and USB.

All the inputs have internal pull-up resistors in normal operation and can be left open if not used. All the PIOs are supplied by VCC, therefore all the voltage levels of the PIO pins are related to VCC supply voltage.

5.1 UART

The NEO-M9N-00B has one UART interface which supports configurable baud rates. See the integration manual [2].

Hardware flow control is not supported.

The UART1 is enabled if D_SEL pin of the module is left open or "high".

Symbol	Parameter	Min	Max	Unit
R_u	Baudrate	4800	921600	bit/s
Δ_{Tx}	Tx baud rate accuracy	-1%	+1%	-
Δ_{Rx}	Rx baud rate tolerance	-2.5%	+2.5%	-

Table 13: NEO-M9N-00B UART specifications

5.2 SPI

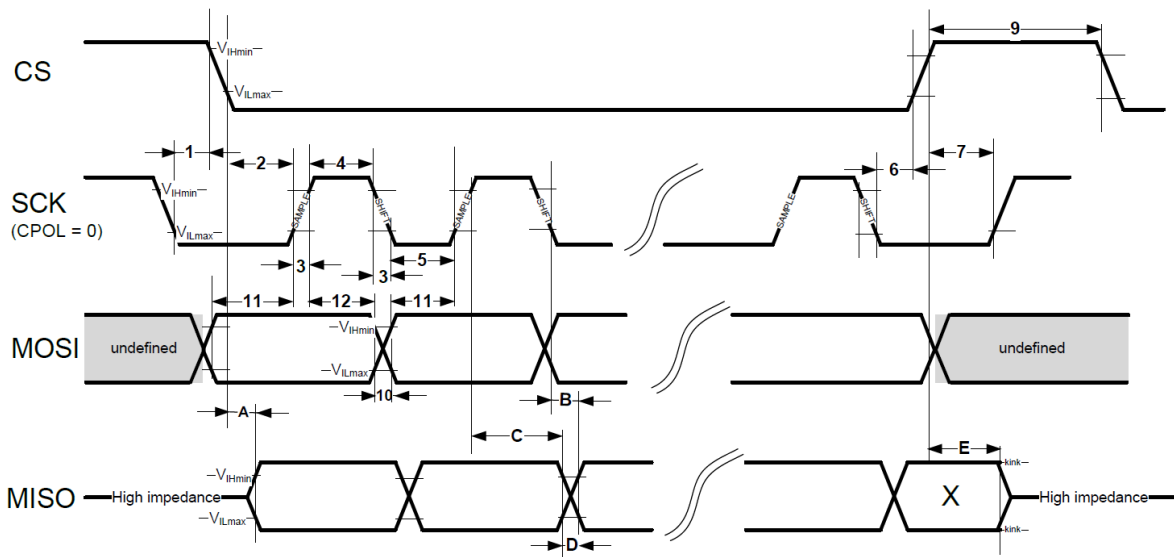
The NEO-M9N-00B has an SPI slave interface that can be selected by setting D_SEL = 0. The SPI pins available are:

- SPI_MISO (TXD)
- SPI_MOSI (RXD)
- SPI_CS_N
- SPI_CLK

The SPI interface is designed to allow communication to a host CPU. The interface can be operated in slave mode only. Note that SPI is not available in the default configuration because its pins are shared with the UART and I2C interfaces. The maximum transfer rate using SPI is 125 kB/s and the maximum SPI clock frequency is 5.5 MHz.

This section provides SPI timing values for the NEO-M9N-00B slave operation. The following tables present timing values under different capacitive loading conditions. Default SPI configuration is CPOL = 0 and CPHA = 0.

¹¹ I2C is a registered trademark of Philips/NXP


Figure 3: NEO-M9N-00B SPI specification mode 1: CPHA=0 SCK = 5.33 MHz


Timings 1 - 12 are not specified here as they are dependent on the SPI master. Timings A - E are specified for SPI slave.

Timing value at 2 pF load	Min (ns)	Max (ns)
"A" - MISO data valid time (CS)	14	38
"B" - MISO data valid time (SCK) weak driver mode	21	38
"C" - MISO data hold time	114	130
"D" - MISO rise/fall time, weak driver mode	1	4
"E" - MISO data disable lag time	20	32

Table 14: NEO-M9N-00B SPI timings at 2 pF load

Timing value at 20 pF load	Min (ns)	Max (ns)
"A" - MISO data valid time (CS)	19	52
"B" - MISO data valid time (SCK) weak driver mode	25	51
"C" - MISO data hold time	117	137
"D" - MISO rise/fall time, weak driver mode	6	16
"E" - MISO data disable lag time	20	32

Table 15: NEO-M9N-00B SPI timings at 20 pF load

Timing value at 60 pF load	Min (ns)	Max (ns)
"A" - MISO data valid time (CS)	29	79
"B" - MISO data valid time (SCK) weak driver mode	35	78
"C" - MISO data hold time	122	152
"D" - MISO rise/fall time, weak driver mode	15	41
"E" - MISO data disable lag time	20	32

Table 16: NEO-M9N-00B SPI timings at 60 pF load

5.3 I2C

An I2C-compliant interface is available for communication with an external host CPU. The interface can be operated in slave mode only. It is fully compatible with the I2C industry standard fast mode.

Since the maximum SCL clock frequency is 400 kHz, the maximum bit rate is 400 kbit/s. The interface stretches the clock when slowed down while serving interrupts, therefore the real bit rates may be slightly lower.



The I2C interface is only available with the UART default mode. If the SPI interface is selected by using $D_SEL = 0$, the I2C interface is not available.

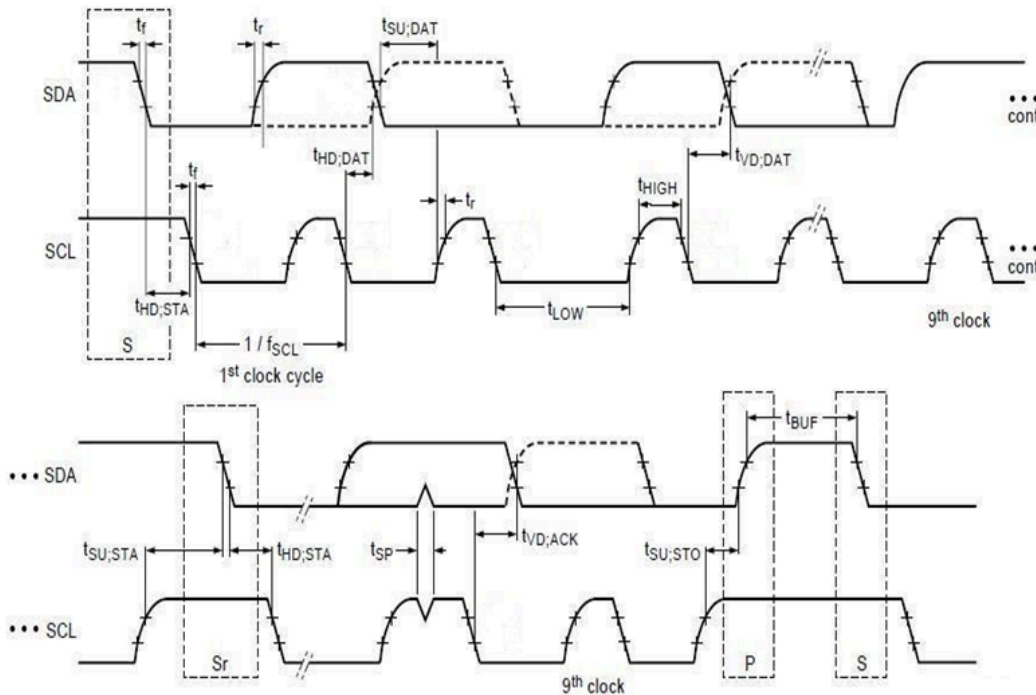


Figure 4: NEO-M9N-00B I2C slave specification

Symbol	Parameter	Min (Standard / Fast mode)	Max	Unit
f_{SCL}	SCL clock frequency	0	400	kHz
$t_{HD,STA}$	Hold time (repeated) START condition	4.0/1	-	μs
t_{LOW}	Low period of the SCL clock	5/2	-	μs
t_{HIGH}	High period of the SCL clock	4.0/1	-	μs
$t_{SU,STA}$	Set-up time for a repeated START condition	5/1	-	μs
$t_{HD,DAT}$	Data hold time	0/0	-	μs
$t_{SU,DAT}$	Data set-up time	250/100	-	ns
t_r	Rise time of both SDA and SCL signals	-	1000/300 (for C = 400pF)	ns
t_f	Fall time of both SDA and SCL signals	-	300/300 (for C = 400pF)	ns
$t_{SU,STO}$	Set-up time for STOP condition	4.0/1	-	μs
t_{BUF}	Bus-free time between a STOP and START condition	5/2	-	μs
$t_{V,D,DAT}$	Data valid time	-	4/1	μs
$t_{V,D,ACK}$	Data valid acknowledge time	-	4/1	μs
V_{nL}	Noise margin at the low level	0.1 VCC	-	V
V_{nH}	Noise margin at the high level	0.2 VCC	-	V

Table 17: NEO-M9N-00B I2C slave timings and specifications

5.4 USB

The USB 2.0 FS (Full speed, 12 Mbit/s) interface can be used for host communication. Due to the hardware implementation, it may not be possible to certify the USB interface. The V_USB pin supplies the USB interface.

5.5 Default interface settings

Interface	Settings
UART	38400 baud, 8 bits, no parity bit, 1 stop bit. Output messages: NMEA GGA , GLL , GSA , GSV , RMC , VTG , TXT (no UBX). Input protocols: UBX, NMEA and RTCM 3.3.
USB	Output messages activated as in UART. Input protocols available as in UART.
I2C	Output messages activated as in UART. Input protocols available as in UART.
SPI	Output messages activated as in UART. Input protocols available as in UART.

Table 18: Default interface settings



Refer to the u-blox NEO-M9N-00B Interface description [1] for information about further settings.

By default the NEO-M9N-00B outputs NMEA messages that include satellite data for all GNSS bands being received. This results in a higher-than-before NMEA load output for each navigation period. Make sure the UART baud rate being used is sufficient for the selected navigation rate and the number of GNSS signals being received.

6 Mechanical specification

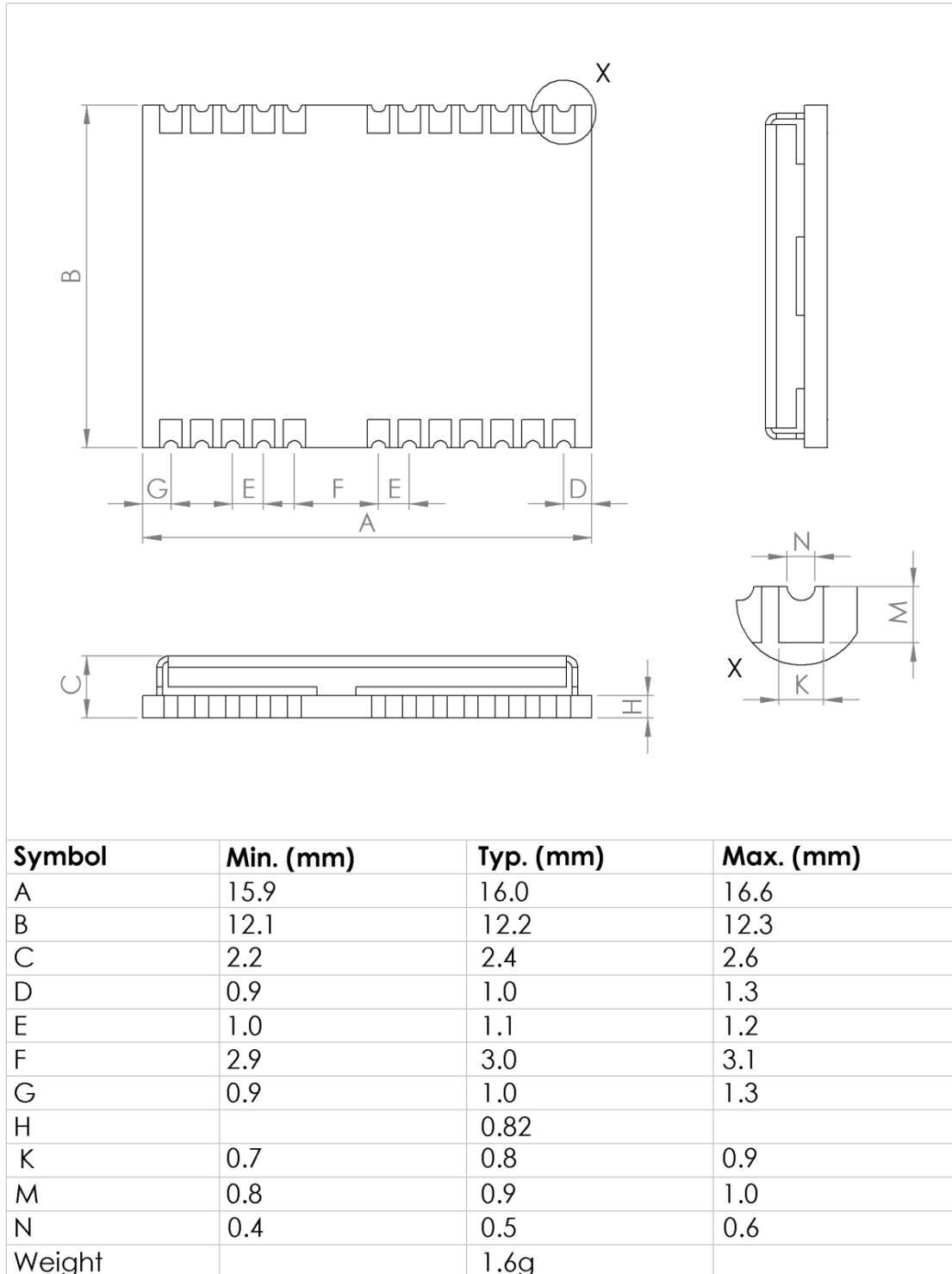


Figure 5: NEO-M9N-00B mechanical drawing

7 Reliability tests and approvals

NEO-M9N-00B modules are based on AEC-Q100 qualified GNSS chips.

Tests for product family qualifications are according to ISO 16750 "Road vehicles – environmental conditions and testing for electrical and electronic equipment", and appropriate standards.

7.1 Approvals



The NEO-M9N-00B is designed to in compliance with the essential requirements and other relevant provisions of Radio Equipment Directive (RED) 2014/53/EU.

The NEO-M9N-00B complies with the Directive 2011/65/EU (EU RoHS 2) and its amendment Directive (EU) 2015/863 (EU RoHS 3).

Declaration of Conformity (DoC) is available on the [u-blox website](#).

8 Labeling and ordering information

This section provides information about product labeling and ordering. For information about moisture sensitivity level (MSL), product handling and soldering see the integration manual [2].

8.1 Product labeling

The labeling of the NEO-M9N-00B modules provides product information and revision information. For more information contact u-blox sales.

8.2 Explanation of product codes

Three product code formats are used. The **Product name** is used in documentation such as this data sheet and identifies all u-blox products, independent of packaging and quality grade. The **Ordering code** includes options and quality, while the **Type number** includes the hardware and firmware versions.

Table 19 below details these three formats.

Format	Structure	Product code
Product name	PPP-TGV	NEO-M9N
Ordering code	PPP-TGV-NNQ	NEO-M9N-00B
Type number	PPP-TGV-NNQ-XX	NEO-M9N-00B-00

Table 19: Product code formats

The parts of the product code are explained in Table 20.

Code	Meaning	Example
PPP	Product family	NEO
TG	Platform	M9 = u-blox M9
V	Variant	N = Standard precision with SAW and LNA
NNQ	Option / Quality grade	NN: Option [00...99] Q: Grade, A = Automotive, B = Professional
XX	Product detail	Describes hardware and firmware versions

Table 20: Part identification code

8.3 Ordering codes

Ordering code	Product	Remark
NEO-M9N-00B	u-blox NEO-M9N module, professional grade	

Table 21: Product ordering codes



Product changes affecting form, fit or function are documented by u-blox. For a list of Product Change Notifications (PCNs) see our website at: <https://www.u-blox.com/en/product-resources>.

Related documents

- [1] u-blox M9 SPG 4.04 Interface description, [UBX-21022436](#)
u-blox M9 SPG 4.04 Interface description, UBX-21022437 (NDA required)
- [2] NEO-M9N Integration manual, [UBX-19014286](#)
NEO-M9N Integration manual, UBX-19015769 (NDA required)



For regular updates to u-blox documentation and to receive product change notifications please register on our homepage <https://www.u-blox.com>.

Revision history

Revision	Date	Name	Status / comments
R01	15-Aug-2019	jesk	Objective specification
R02	14-Nov-2019	jesk	Advance information
R03	24-Jan-2020	jesk	Advance information. Added outband value for Prfin, renamed VDD_USB to V_USB.
R04	11-Sep-2020	jesk	Early production information. - Updated firmware to SPG 4.04. - Updated I_BCKP and indicative power consumption values. - Added supported voltage range for V_USB. - Added value for Ext_gain, External gain at RF_IN. - Added digital I/O pin DC current and pull up resistance values. - Clarified UART timing specifications. - Clarified use of USB interface.
R05	09-Jun-2021	jesk	Document status replaced by Product status in Document information. - Updated product name to include product option and quality grade - Updated GLONASS tracking sensitivity - Updated supported GNSS constellations: QZSS L1C/A support now listed - Updated QZSS augmentation service name - Updated Absolute maximum ratings: supply voltage ramp requirements

Contact

For complete contact information visit us at www.u-blox.com.

u-blox Offices

North, Central and South America

u-blox America, Inc.

Phone: +1 703 483 3180
E-mail: info_us@u-blox.com

Regional Office West Coast

Phone: +1 408 573 3640
E-mail: info_us@u-blox.com

Technical Support

Phone: +1 703 483 3185
E-mail: support_us@u-blox.com

Headquarters

Europe, Middle East, Africa

u-blox AG

Phone: +41 44 722 74 44
E-mail: info@u-blox.com
Support: support@u-blox.com

Asia, Australia, Pacific

u-blox Singapore Pte. Ltd.

Phone: +65 6734 3811
E-mail: info_ap@u-blox.com
Support: support_ap@u-blox.com

Regional Office Australia

Phone: +61 3 9566 7255
E-mail: info_anz@u-blox.com
Support: support_ap@u-blox.com

Regional Office China (Beijing)

Phone: +86 10 68 133 545
E-mail: info_cn@u-blox.com
Support: support_cn@u-blox.com

Regional Office China (Chongqing)

Phone: +86 23 6815 1588
E-mail: info_cn@u-blox.com
Support: support_cn@u-blox.com

Regional Office China (Shanghai)

Phone: +86 21 6090 4832
E-mail: info_cn@u-blox.com
Support: support_cn@u-blox.com

Regional Office China (Shenzhen)

Phone: +86 755 8627 1083
E-mail: info_cn@u-blox.com
Support: support_cn@u-blox.com

Regional Office India

Phone: +91 80 4050 9200
E-mail: info_in@u-blox.com
Support: support_in@u-blox.com

Regional Office Japan (Osaka)

Phone: +81 6 6941 3660
E-mail: info_jp@u-blox.com
Support: support_jp@u-blox.com

Regional Office Japan (Tokyo)

Phone: +81 3 5775 3850
E-mail: info_jp@u-blox.com
Support: support_jp@u-blox.com

Regional Office Korea

Phone: +82 2 542 0861
E-mail: info_kr@u-blox.com
Support: support_kr@u-blox.com

Regional Office Taiwan

Phone: +886 2 2657 1090
E-mail: info_tw@u-blox.com
Support: support_tw@u-blox.com