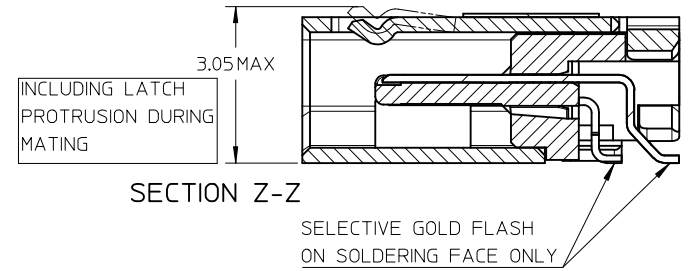
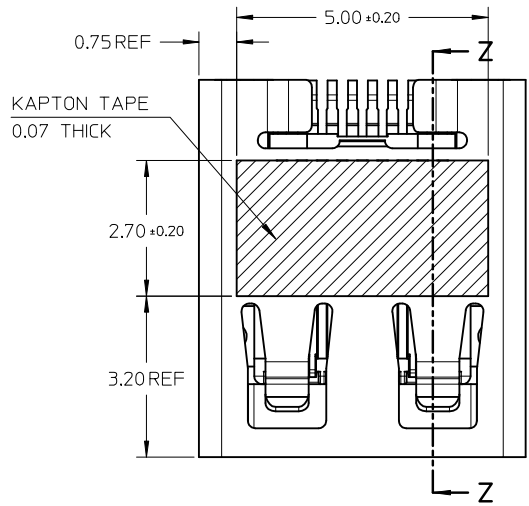
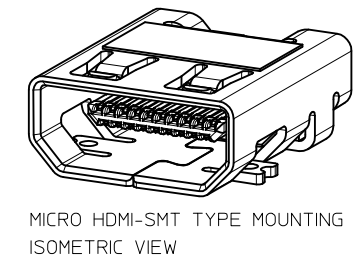
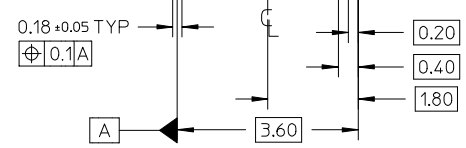


D1	Pg1-B2,Pg2-C3,Pg3-C2,PS-46765-003	10.Jan.2013
D	PG4/5,modify keepout zone.pg1,2,3/5 add blackhsg p/n	28.Nov.2011
REV NO	DESCRIPTION	DATE



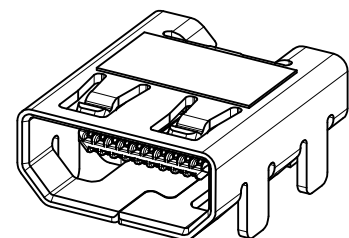
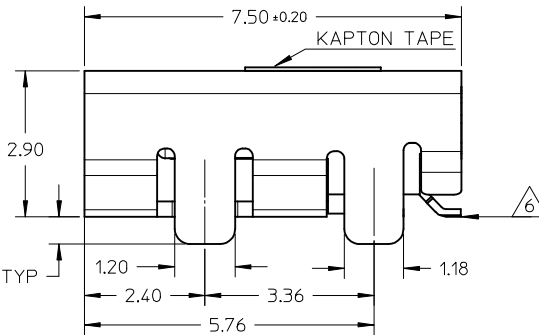
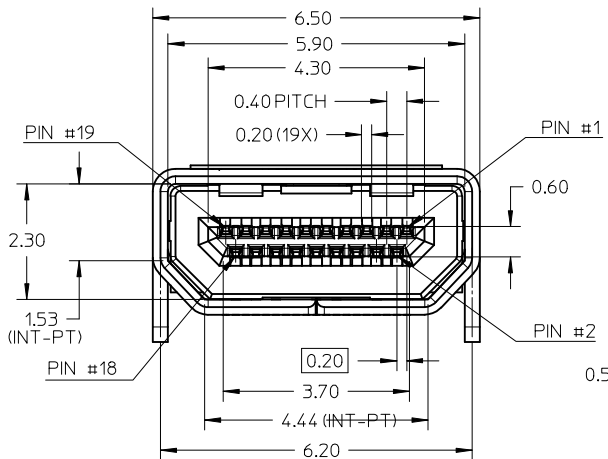
- NOTES:
- MATERIALS:  
HOUSING: LCP, 30% GLASS FILLED, UL94V-0  
TERMINALS: COPPER ALLOY  
SHIELD: STAINLESS STEEL
  - FINISHES:  
TERMINALS: GOLD ON CONTACT AREA (Refer Table).  
0.05UM MIN GOLD FLASH ON SOLDER TAILS,  
AND 2.0UM MIN NICKEL UNDERPLATE OVERALL  
SHIELD: MATTE TIN (Refer Table) OVER 1.27UM MIN NICKEL
  - PRODUCT SPECIFICATION: PS-46765-003
  - PACKAGING SPECIFICATION: PACKED IN TAPE & REEL
  - SEE SHEET 4 OF 5 FOR RECOMMENDED PCB LAYOUT
  - TERMINAL SOLDER-TAIL COPLANARITY 0.08 MAX

F  
E  
D  
C  
B  
A

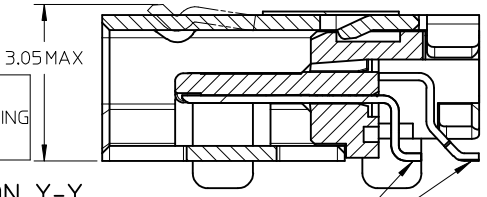


DESCRIPTION	Contact: 0.76µM Gold Min Shield: 3.8µM Tin Min PART NUMBER	Contact: 0.38µM Gold Min Shield: 2.0µM Tin Min PART NUMBER
SMT TYPE+KAPTON TAPE	46765-0001	46765-0301
SMT TYPE+BLACK HSG+KAPTON TAPE	--	46765-0302
SMT TYPE	46765-0011	46765-0311
SMT TYPE+BLACK HSG	--	46765-0312

RELEASED IEC NO: S2013-0441 DRWN: CWANG25 2013/01/10 CHKD: JESSIECHUA 2013/01/10 APPR: SHONG 2013/01/17	QUALITY SYMBOLS 	GENERAL TOLERANCES (UNLESS SPECIFIED)		DIMENSION STYLE <b>MM ONLY</b>	SCALE <b>NTS</b>	DESIGN UNITS <b>METRIC</b>	THIRD ANGLE PROJECTION
		4 PLACES ± --- ± --- 3 PLACES ± --- ± --- 2 PLACES ± 0.1 ± --- 1 PLACE ± --- ± --- ANGULAR ± 2 °	mm INCH DRAWN BY DATE MKAMARAU 2008/10/14 CHECKED BY DATE MKAMARAU 2008/10/14 APPROVED BY DATE NAGESHKN 2010/11/19 MATERIAL NO.	TITLE <b>MICRO HDMI, TYPE-D          0.4MM PITCH, 19CKT          RECEPTACLE CONNECTOR</b>	<b>MOLEX</b> MOLEX INCORPORATED DOCUMENT NO. <b>SD-46765-001</b>	SHEET NO. <b>1 OF 5</b>	
D1	REV	DRAFT WHERE APPLICABLE MUST REMAIN WITHIN DIMENSIONS		THIS DRAWING CONTAINS INFORMATION THAT IS PROPRIETARY TO MOLEX INCORPORATED AND SHOULD NOT BE USED WITHOUT WRITTEN PERMISSION			



MICRO HDMI-THRU HOLE TYPE MOUNTING ISOMETRIC VIEW

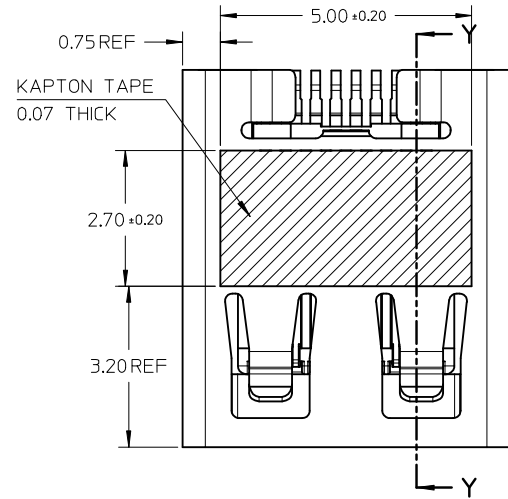
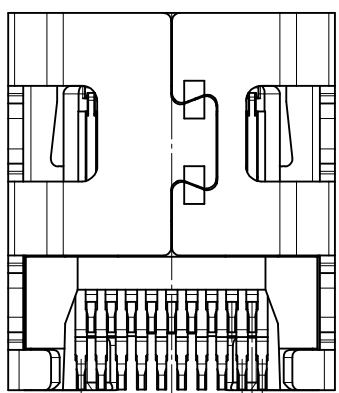


SECTION Y-Y

SELECTIVE GOLD FLASH ON SOLDERING FACE ONLY

NOTES:

1. MATERIALS:  
HOUSING: LCP, 30% GLASS FILLED, UL94V-0  
TERMINALS: COPPER ALLOY  
SHIELD: STAINLESS STEEL
2. FINISHES:  
TERMINALS: GOLD ON CONTACT AREA (Refer Table),  
0.05UM MIN GOLD FLASH ON SOLDER TAILS,  
AND 2.0UM MIN NICKEL UNDERPLATE OVERALL  
SHIELD: MATTE TIN (Refer Table) OVER 1.27UM MIN NICKEL
3. PRODUCT SPECIFICATION: PS-46765-003
4. PACKAGING SPECIFICATION: PACKED IN TAPE & REEL
5. SEE SHEET 4 OF 5 FOR RECOMMENDED PCB LAYOUT
6. TERMINAL SOLDER-TAIL COPLANARITY 0.08 MAX

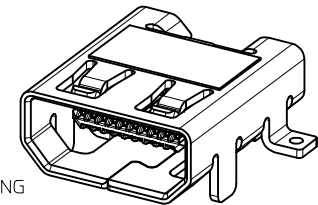


DESCRIPTION	Contact: 0.76µM Gold Min Shield: 3.8µM Tin Min	Contact: 0.38µM Gold Min Shield: 2.0µM Tin Min
THRU HOLE TYPE+KAPTON TAPE	46765-1001	46765-1301
THRU HOLE TYPE+BLACK HSG+KAPTON TAPE	--	46765-1302
THRU HOLE TYPE	46765-1011	46765-1311
THRU HOLE TYPE+BLACK HSG	--	46765-1312

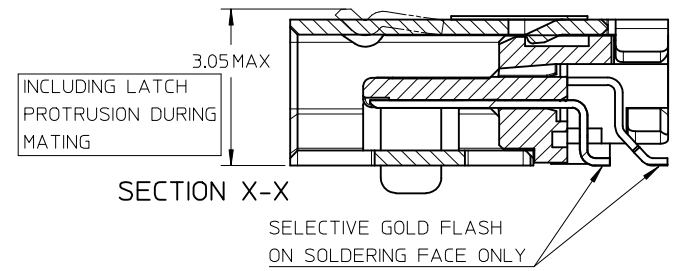
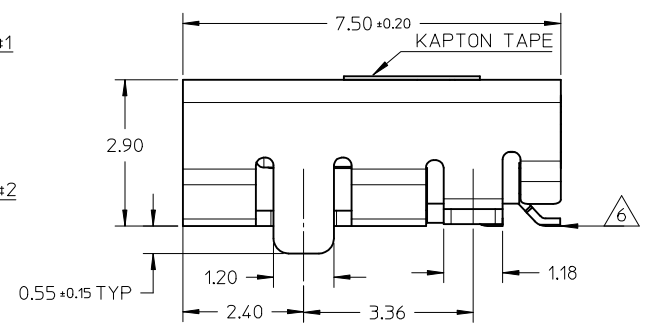
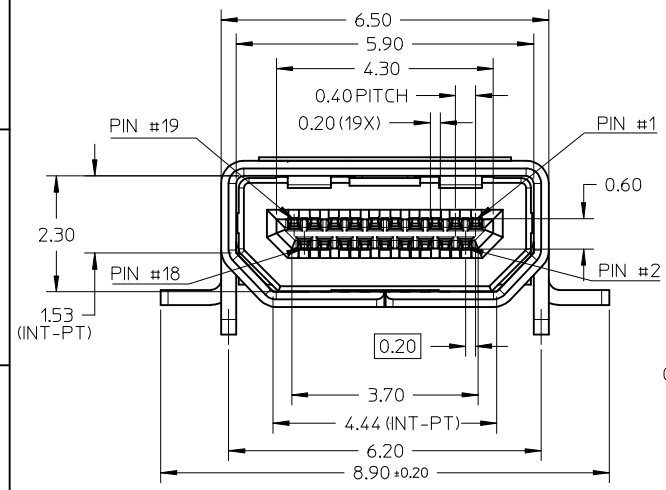
RELEASED  
EC NO: S2013-0441  
DRW: CWANG25 2013/01/10  
CHKD: JESSIE CHUA 2013/01/10  
APPR: SHONG 2013/01/17

QUALITY SYMBOLS	GENERAL TOLERANCES (UNLESS SPECIFIED)
▽=0	mm INCH
∇=0	4 PLACES ± --- ± ---
	3 PLACES ± --- ± ---
	2 PLACES ± 0.1 ± ---
	1 PLACE ± --- ± ---
	ANGULAR ± 2 °
	DRAFT WHERE APPLICABLE MUST REMAIN WITHIN DIMENSIONS

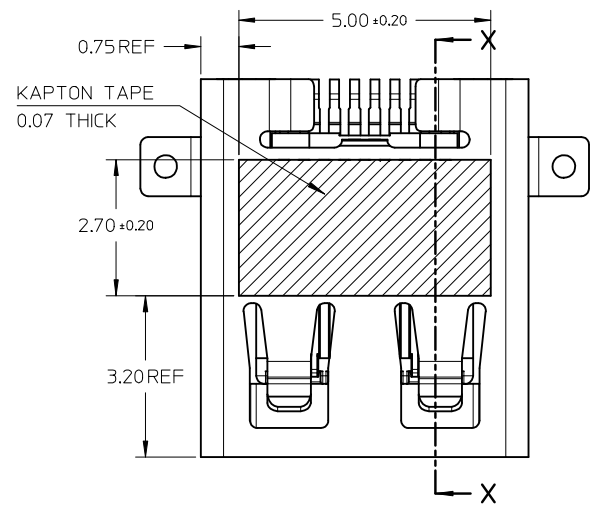
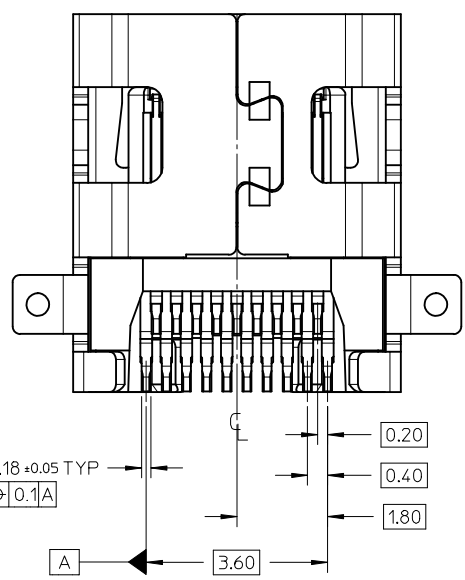
DIMENSION STYLE		SCALE	DESIGN UNITS	THIRD ANGLE PROJECTION
MM ONLY		NTS	METRIC	⊙ □
DRAWN BY	DATE	TITLE		
MKAMARAU	2008/10/14	MICRO HDMI, TYPE-D		
CHECKED BY	DATE	0.4MM PITCH, 19CKT		
MKAMARAU	2008/10/14	RECEPTACLE CONNECTOR		
APPROVED BY	DATE	MOLEX INCORPORATED		
NAGESHKAN	2010/11/19	MOLEX INCORPORATED		
MATERIAL NO.	DOCUMENT NO.	SD-46765-001		
SIZE	THIS DRAWING CONTAINS INFORMATION THAT IS PROPRIETARY TO MOLEX INCORPORATED AND SHOULD NOT BE USED WITHOUT WRITTEN PERMISSION		SHEET NO.	
A3			2 OF 5	



MICRO HDMI  
HYBRID TYPE MOUNTING

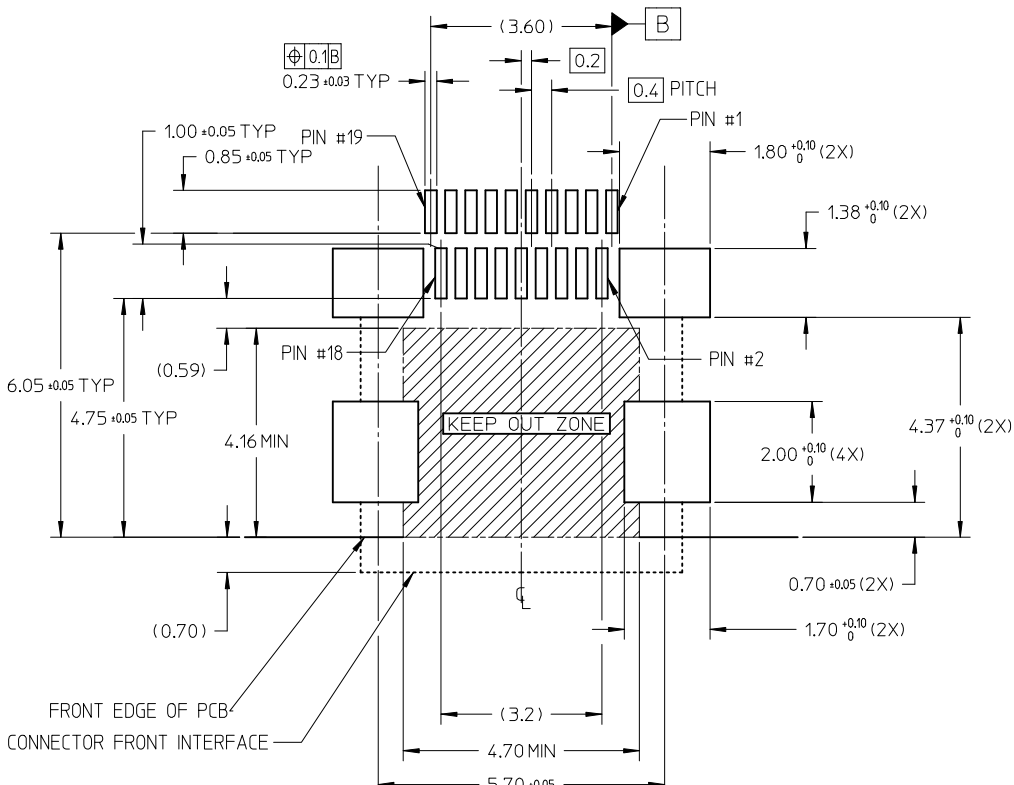


- NOTES:
- MATERIALS:  
HOUSING: LCP, 30% GLASS FILLED, UL94V-0  
TERMINALS: COPPER ALLOY  
SHIELD: STAINLESS STEEL
  - FINISHES:  
TERMINALS: GOLD ON CONTACT AREA (Refer Table),  
0.05UM MIN GOLD FLASH ON SOLDER TAILS,  
AND 2.0UM MIN NICKEL UNDERPLATE OVERALL  
SHIELD: MATTE TIN (Refer Table) OVER 1.27UM MIN NICKEL
  - PRODUCT SPECIFICATION: PS-46765-003
  - PACKAGING SPECIFICATION: PACKED IN TAPE & REEL
  - SEE SHEET 4 OF 5 FOR RECOMMENDED PCB LAYOUT
  - TERMINAL SOLDER-TAIL COPLANARITY 0.08 MAX



DESCRIPTION	Contact: 0.764M Gold Min Shield: 3.81M Tin Min PART NUMBER	Contact: 0.381M Gold Min Shield: 2.01M Tin Min PART NUMBER
HYBRID TYPE+KAPTON TAPE	46765-2001	46765-2301
HYBRID TYPE+BLACK HOUSING+KAPTON TAPE	46765-2021	46765-2302
HYBRID TYPE	46765-2011	46765-2311
HYBRID TYPE+BLACK HSG	--	46765-2312

RELEASED EC NO: S2013-0441 DRWN: CWANG25 2013/01/10 CHKD: JESSIECHUA 2013/01/10 APPR: SHONG 2013/01/17	QUALITY SYMBOLS	GENERAL TOLERANCES (UNLESS SPECIFIED)		DIMENSION STYLE		SCALE	DESIGN UNITS	THIRD ANGLE PROJECTION		
	▼ = 0 ◻ = 0	mm	INCH	MM ONLY		NTS	METRIC			
		4 PLACES ± --- ± ---	3 PLACES ± --- ± ---	2 PLACES ± 0.1 ± ---	1 PLACE ± --- ± ---	DRAWN BY	DATE	TITLE		
		ANGULAR ± 2 °		DRAFT WHERE APPLICABLE MUST REMAIN WITHIN DIMENSIONS		DATE	DATE	MICRO HDMI, TYPE-D 0.4MM PITCH, 19KCT RECEPTACLE CONNECTOR		
D1	REV	MATERIAL NO.		SEE TABLE		DOCUMENT NO.		SHEET NO.		
				SIZE A3		THIS DRAWING CONTAINS INFORMATION THAT IS PROPRIETARY TO MOLEX INCORPORATED AND SHOULD NOT BE USED WITHOUT WRITTEN PERMISSION		SD-46765-001 3 OF 5		

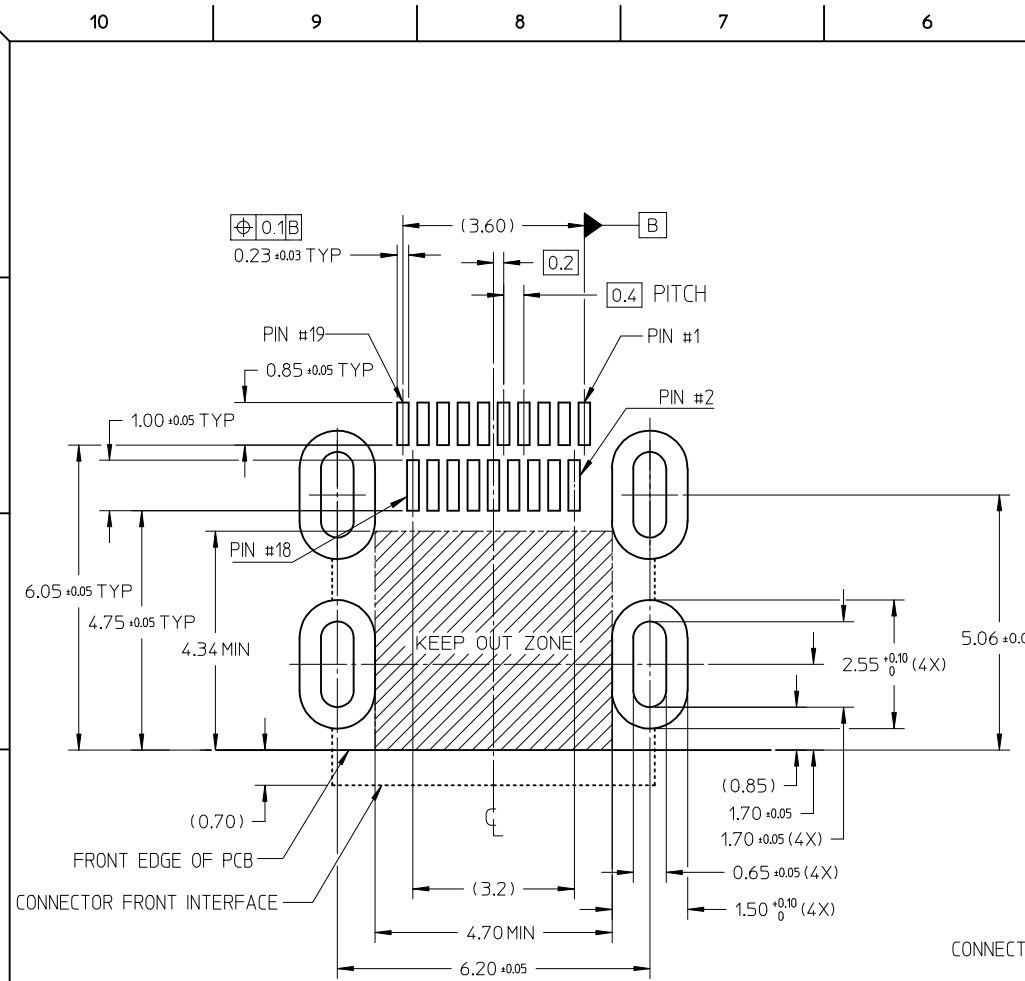


RECOMMENDED PCB LAYOUT  
 COMPONENT SIDE OF BOARD  
 SHEET 1 OF 5

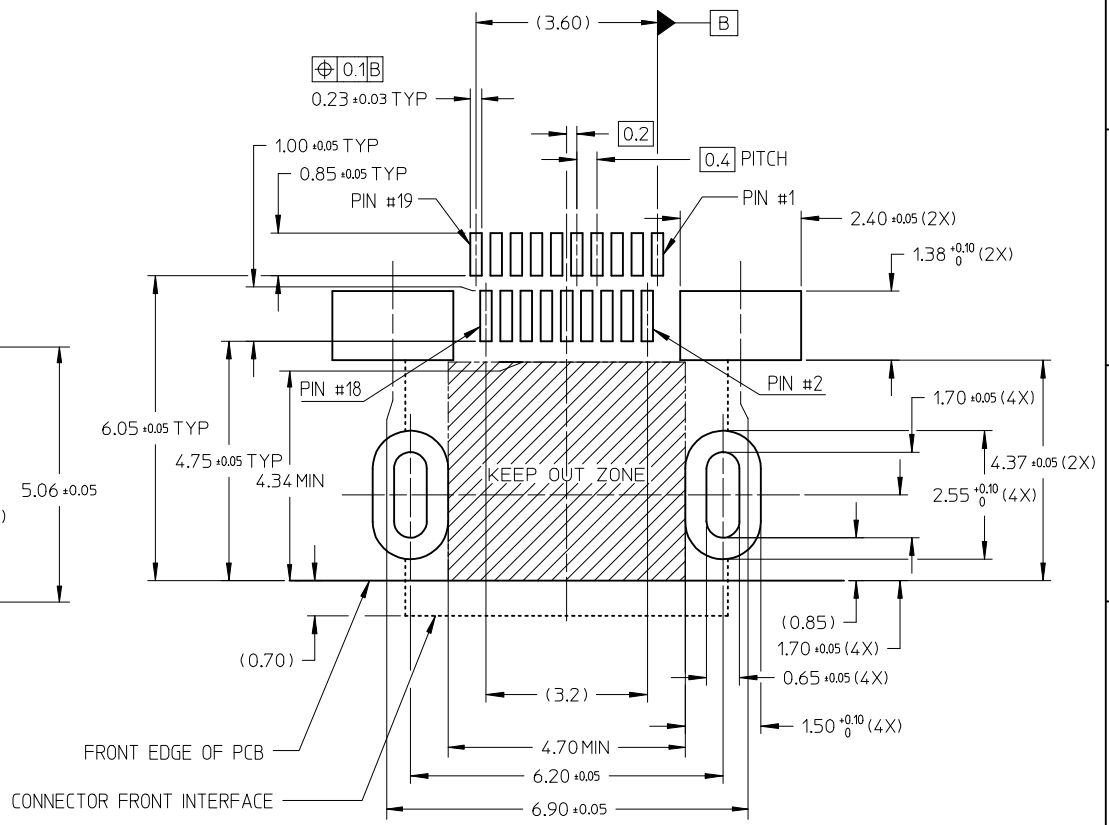
PIN	SIGNAL ASSIGNMENT
1	Hot Plug Detect
2	Utility
3	TMDS Data2+
4	TMDS Data2- Shield
5	TMDS Data2-
6	TMDS Data1+
7	TMDS Data1- Shield
8	TMDS Data1-
9	TMDS Data0+
10	TMDS Data0- Shield
11	TMDS Data0-
12	TMDS Clock+
13	TMDS Clock- Shield
14	TMDS Clock-
15	CEC
16	DDC/CEC Ground
17	SCL
18	SDA
19	+5V Power

CONNECTION	SIGNALS
	TYPE D CONNECTOR
FIRST MAKE	CONNECTOR SHELL
SECOND MAKE	PINS 1 - 18
THIRD MAKE	PIN 19 (+5V POWER)

RELEASED EC NO: S2013-0441 DRWN: CWANG25 CHKD: JESSIECHUA APPR: SHONG	2013/01/10 2013/01/10 2013/01/17	DESCRIPTION D1	QUALITY SYMBOLS	GENERAL TOLERANCES (UNLESS SPECIFIED) mm INCH 4 PLACES ± --- ± --- 3 PLACES ± --- ± --- 2 PLACES ± 0.1 ± --- 1 PLACE ± --- ± --- ANGULAR ± 2 °	DIMENSION STYLE	SCALE	DESIGN UNITS	THIRD ANGLE PROJECTION	
			MM ONLY		NTS	METRIC			
			DRAWN BY		DATE	TITLE			
			DATE		DATE	MICRO HDMI, TYPE-D 0.4MM PITCH, 19CKT RECEPTACLE CONNECTOR			
			APPROVED BY		DATE	MOLEX INCORPORATED			
MATERIAL NO.	DATE	DOCUMENT NO.	SHEET NO.						
SEE TABLE	2010/11/19	SD-46765-001	4 OF 5						
DRAFT WHERE APPLICABLE MUST REMAIN WITHIN DIMENSIONS					THIS DRAWING CONTAINS INFORMATION THAT IS PROPRIETARY TO MOLEX INCORPORATED AND SHOULD NOT BE USED WITHOUT WRITTEN PERMISSION				



RECOMMENDED PCB LAYOUT  
COMPONENT SIDE OF BOARD  
SHEET 2 OF 5



RECOMMENDED PCB LAYOUT  
COMPONENT SIDE OF BOARD  
SHEET 3 OF 5

RELEASED EC NO: S2013-0441 DRWN: CWANG25 CHKD: JESSIECHUA APPR: SHONG	2013/01/10 2013/01/10 2013/01/17	DESCRIPTION D1	QUALITY SYMBOLS	GENERAL TOLERANCES (UNLESS SPECIFIED)	DIMENSION STYLE	SCALE	DESIGN UNITS	THIRD ANGLE PROJECTION		
			$\nabla=0$ $\square=0$	mm    INCH 4 PLACES ± --- ± --- 3 PLACES ± --- ± --- 2 PLACES ± 0.1 ± --- 1 PLACE ± --- ± --- ANGULAR ± 2 °	MM ONLY	NTS	METRIC			
					DRAWN BY	DATE	TITLE			
					CHECKED BY	DATE	MICRO HDMI, TYPE-D 0.4MM PITCH, 19CKT RECEPTACLE CONNECTOR MOLEX INCORPORATED			
					APPROVED BY	DATE				
				MATERIAL NO.	DOCUMENT NO.	SHEET NO.				
				SEE TABLE	SD-46765-001	5 OF 5				
				DRAFT WHERE APPLICABLE MUST REMAIN WITHIN DIMENSIONS SIZE A3 THIS DRAWING CONTAINS INFORMATION THAT IS PROPRIETARY TO MOLEX INCORPORATED AND SHOULD NOT BE USED WITHOUT WRITTEN PERMISSION						