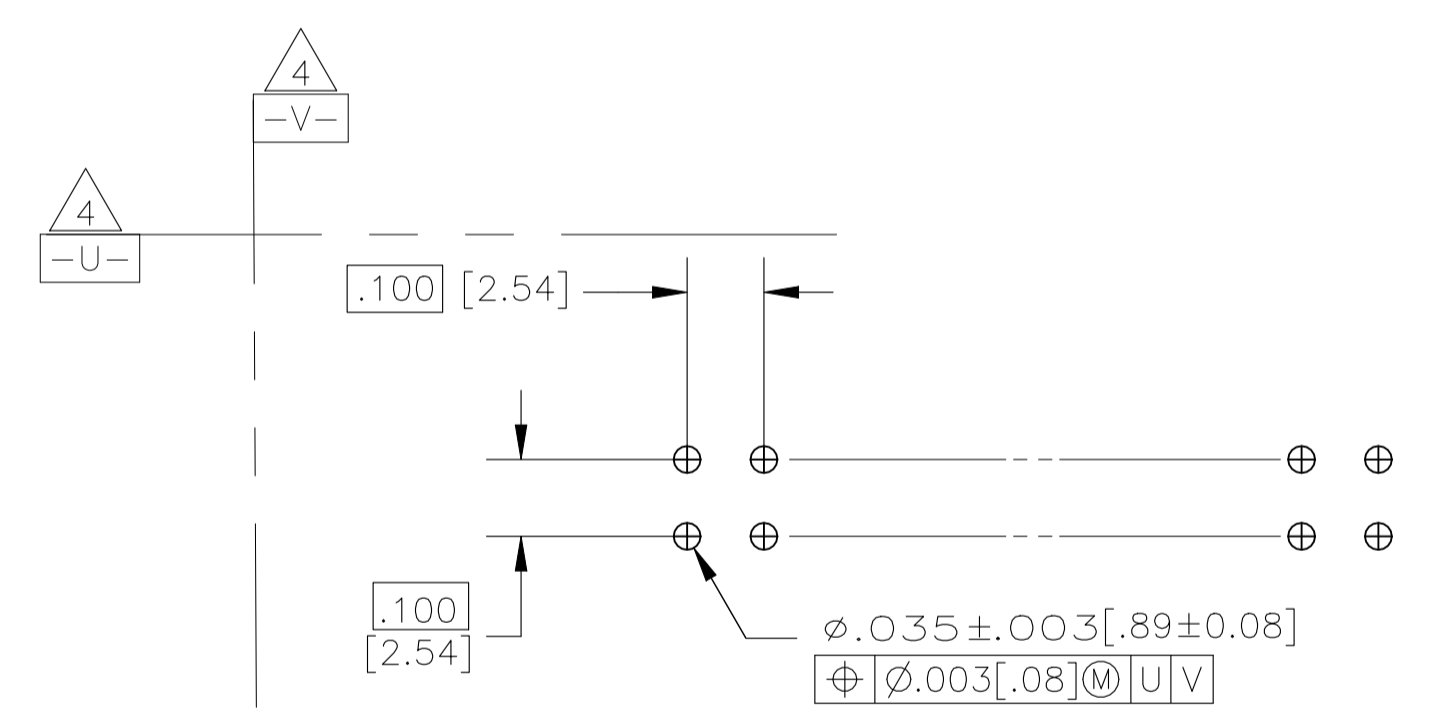
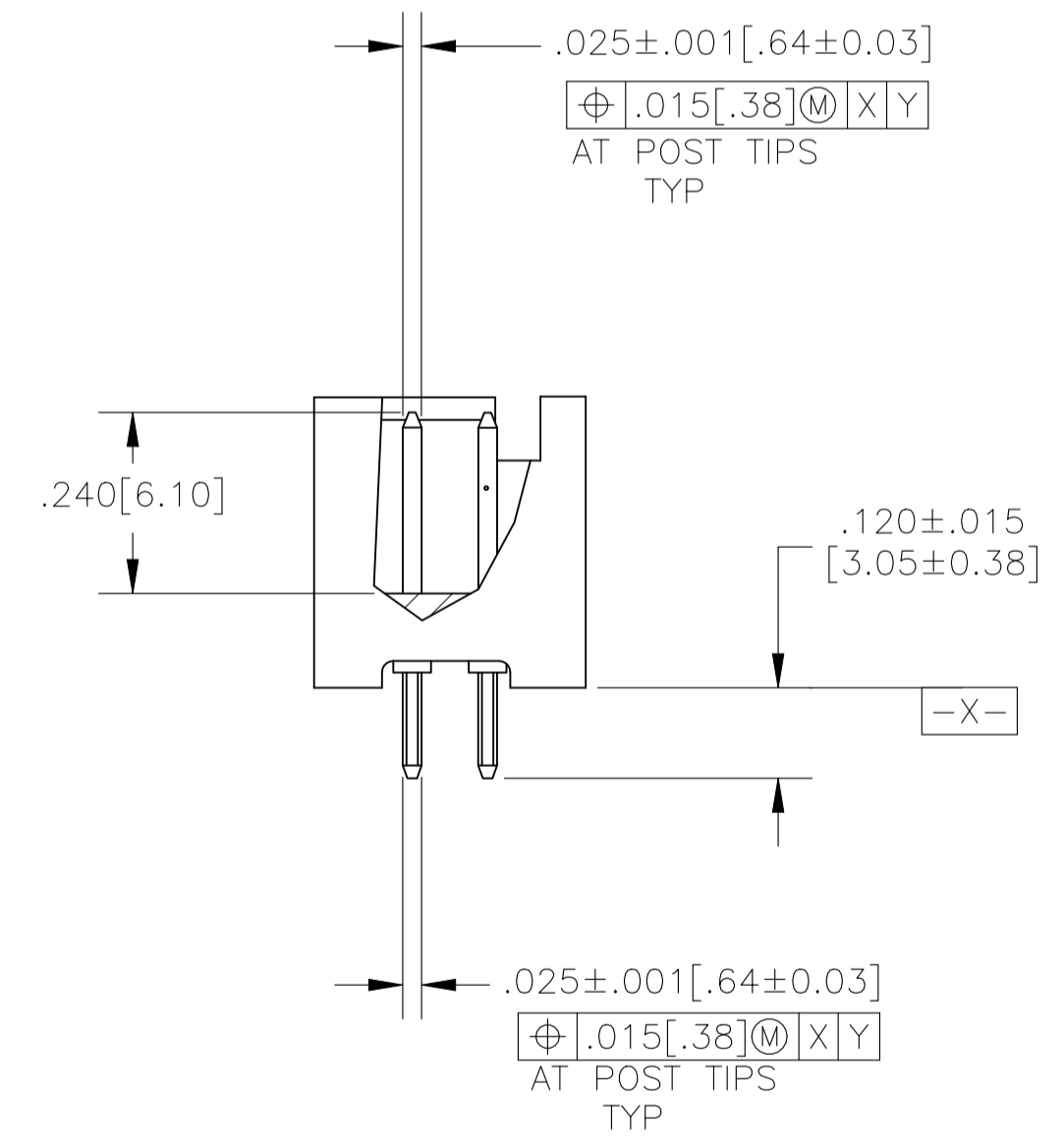
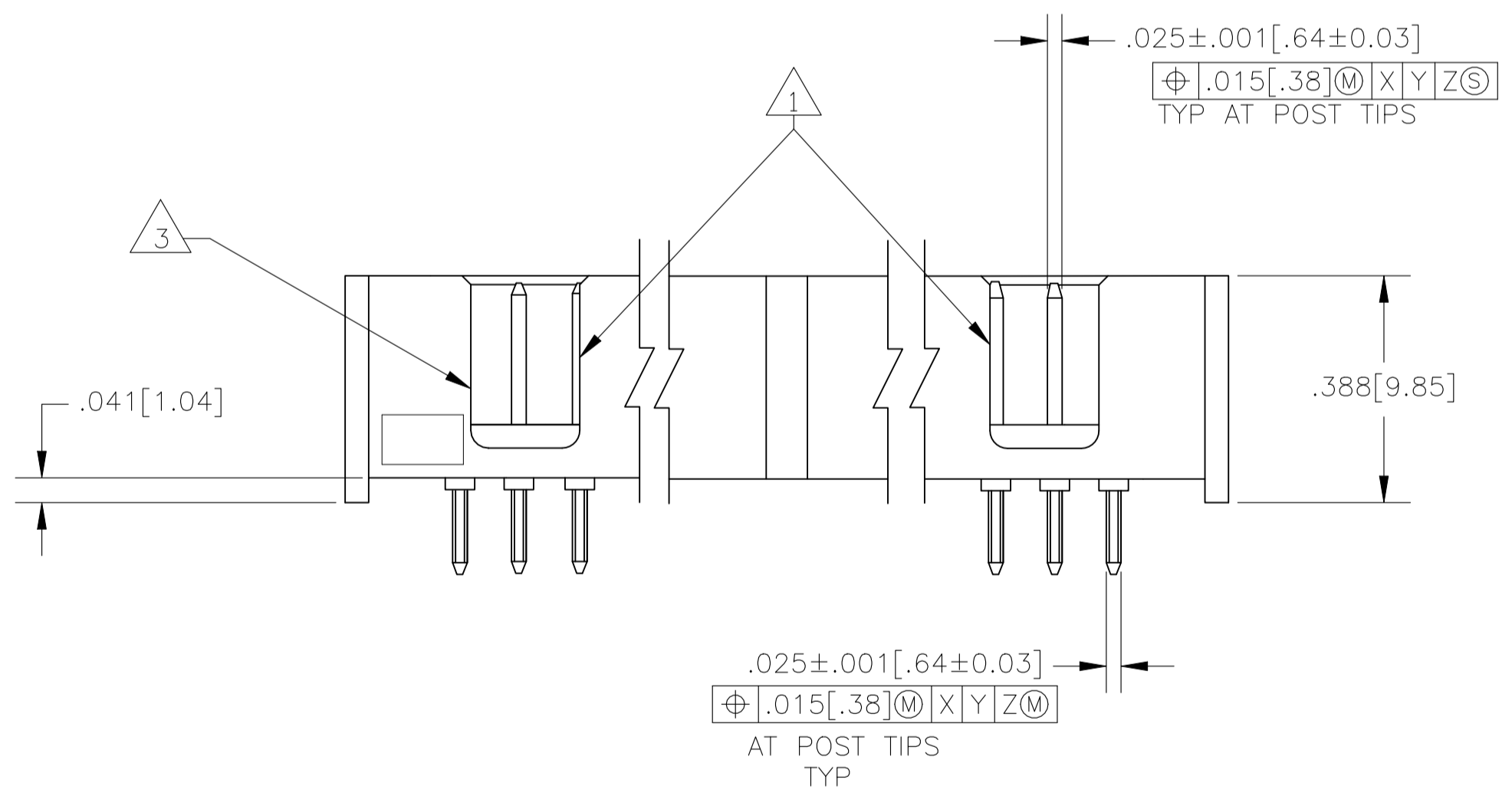
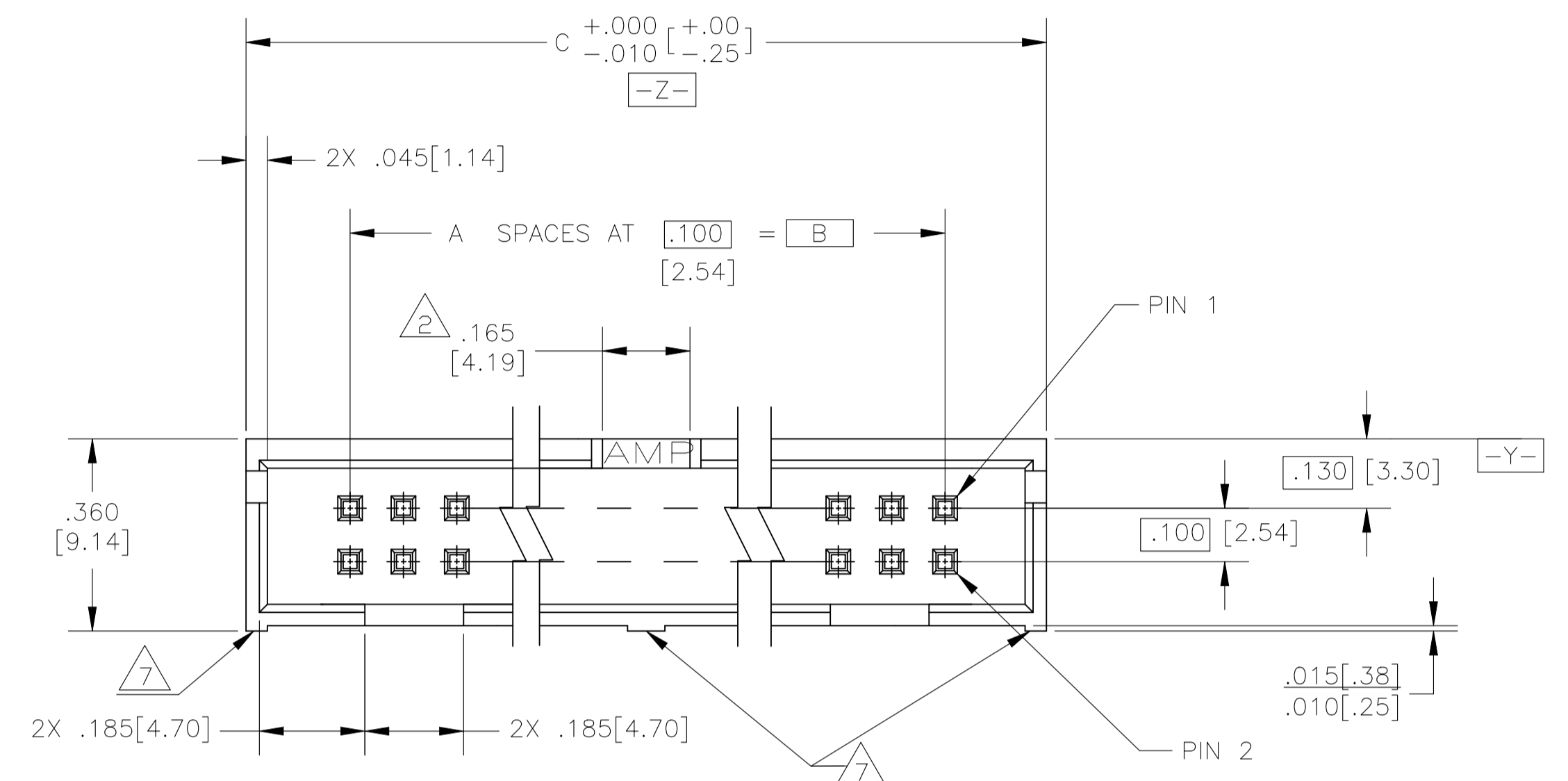


REVISIONS					
P	LTR	DESCRIPTION	DATE	DMN	APVD
E1		ADD METRIC DIMENSION	ECR-21-117090	8SEP2016	IT WH



RECOMMENDED PCB LAYOUT

- 1 DOUBLE BAR POLARIZATION SLOTS.
- 2 CENTER POLARIZATION SLOT.
- 3 FOR 10 POSN ASSEMBLY, SLOT OMITTED IN THIS LOCATION.
- 4 DATUMS U AND V TO BE ESTABLISHED BY THE CUSTOMER.
- 5 HOUSING: GLASS FILLED NYLON OR PBT, BLACK, UL 94V-0 RATED. POSTS: BRASS.
- 6 POSTS: GOLD FLASH OVER PALLADIUM-NICKEL PLATE, .000015[.00038] MIN TOTAL ON THE MATING SURFACES, .000100[.00254] MIN TIN PLATE ON THE SOLDER-TAILS, .000050[.00127] MIN NICKEL UNDERPLATE ON THE ENTIRE POST. -OR- .000015[.00038] MIN GOLD PLATE ON THE MATING SURFACES, .000100[.00254] MIN TIN PLATE ON THE SOLDER-TAILS, .000050[.00127] MIN NICKEL UNDERPLATE ON THE ENTIRE POST.
- 7 RIBS: ALL POSITION SIZES-2 LOCATED AT ENDS OF HOUSING. 20 THRU 34 POSITION SIZES-1 ADDITIONAL RIB CENTERED ON HOUSING. 40 THRU 60 POSITION SIZES- 2 ADDITIONAL RIBS EVENLY SPACED WITHIN REMAINING LENGTH OF HOUSING.

1.500[38.10]	1.100[27.94]	11	24	1-5103308-3
3.300[83.82]	2.900[73.66]	29	60	1-5103308-2
2.800[71.12]	2.400[60.96]	24	50	1-5103308-0
2.300[58.42]	1.900[48.26]	19	40	5103308-8
2.000[50.80]	1.600[40.64]	16	34	5103308-7
1.600[40.64]	1.200[30.48]	12	26	5103308-6
1.300[33.02]	.900[22.86]	9	20	5103308-5
1.100[27.94]	.700[17.78]	7	16	5103308-3
1.000[25.40]	.600[15.24]	6	14	5103308-2
.800[20.32]	.400[10.16]	4	10	5103308-1
C	B	A	NO OF POSN	PART NUMBER

THIS DRAWING IS A CONTROLLED DOCUMENT.

DIMENSIONS:	TOLERANCES UNLESS OTHERWISE SPECIFIED:	DIN B. LATTUCA 01 NOV 05	APVD S. BOLASH 01 NOV 05	NAME
INCHES [mm]	0. PLC ± -	1. PLC ± -	2. PLC ± -	3. PLC ± .005(1.3)
	4. PLC ± -	ANGLES ± -		
MATERIAL	FINISH	SIZE	CAGE CODE	DRAWING NO
5	6	A1	00779	5103308
CUSTOMER DRAWING		SCALE	SHEET	REV
		4:1	1 of 1	E1

STE TE Connectivity

HEADER ASSY, VERTICAL, LOW PROFILE, AMP-LATCH

108-40018