

# READERS WITHOUT LED

## CZ-0-PIN (4xPIN)

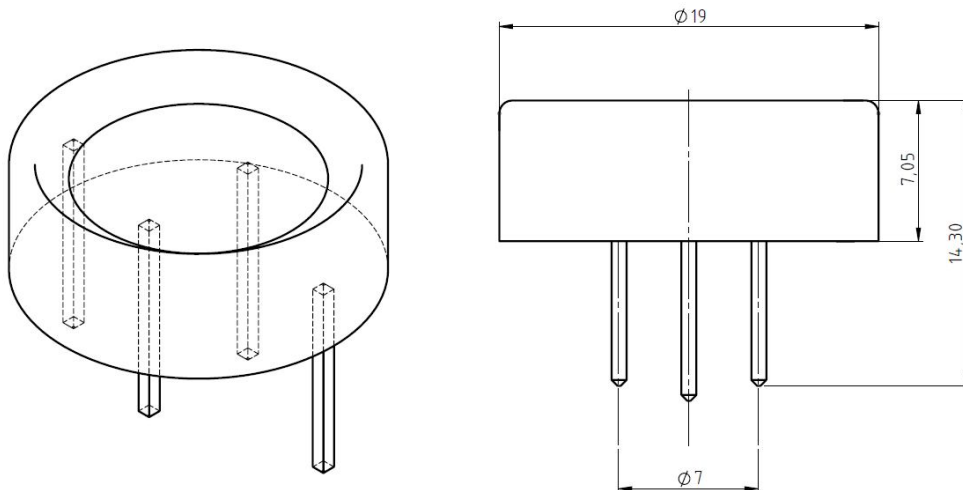


**All metall parts are chromium-plated**

**Also available in stainless steel [SUS316]**

**Four mounting pins**

**Reader lead to install on PCB**



### Technical data for chromium plated version

The reader is designer to work with Maxim Dallas chips series DS19xx

1. Dedications of Pins version 2/4	Middle Pins– 1 wire signal Outer Pins - GND
2. Application	Acces control device
3. Ring material	Chromium plated steel
4. Fastening method	Directly onto PCB
5. Work enviroment	Residential, commercial and lightly industrial
6. Working temperature	From -40 °C to +85 °C
7. Humidity	Up to 70%