

**SAW Filter 866.50MHz**

**Model No: TA0801A**

**Part No: MP02248**

**Rev No: 4**

**A. MAXIMUM RATING:**

Electrostatic Sensitive Device (ESD)

1. Input Power Level: 18dBm
2. DC voltage: 3V
3. Operating Temperature: -40°C to +85°C
4. Storage Temperature: -40°C to +85°C
5. Moisture Sensitive Level: Level 1(MSL1)

**B. ELECTRICAL CHARACTERISTICS:**

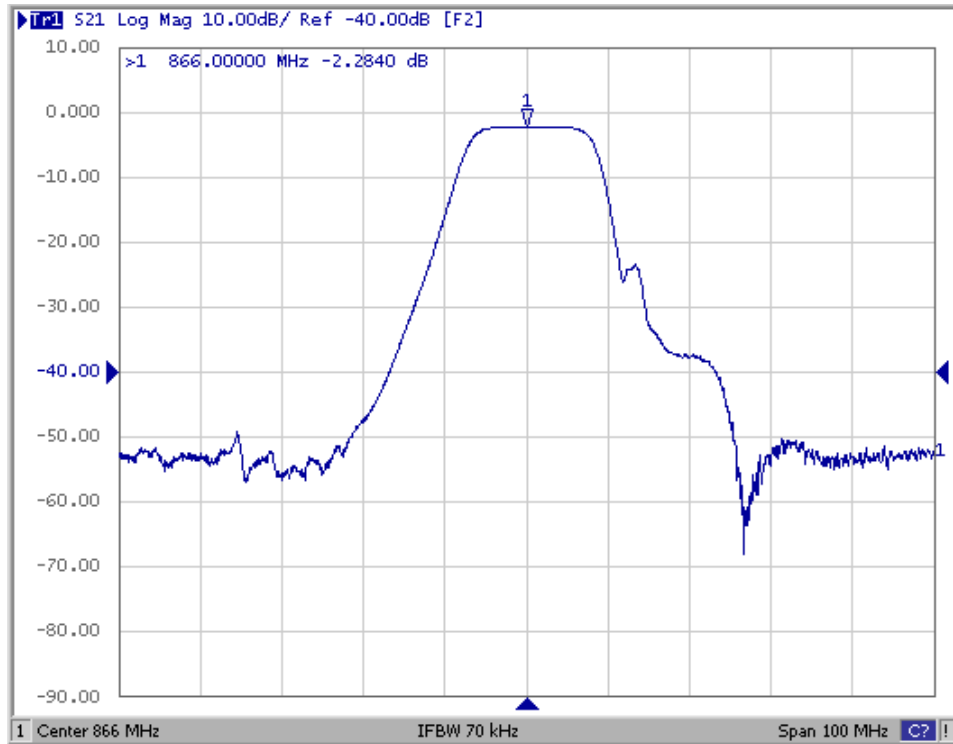
| Item                                     | Unit        | Min. | Typ.  | Max. |
|--|-------------|------|-------|------|
| Center frequency Fc                      | MHz         | -    | 866.5 | -    |
| Insertion loss at Fc Amax                | dB          | -    | 2.3   | 3.0  |
| Ripple (863 ~ 870MHz)                    | dB          | -    | 0.3   | 1.3  |
| VSWR (863 ~ 870MHz)                      |             | -    | 1.2   | 2.0  |
| Attenuation (Reference level from Amax)  |             |      |       |      |
| 10 ~ 830MHz                              | dB          | 45   | 49    | -    |
| 830 ~ 850MHz                             | dB          | 22   | 35    | -    |
| 885 ~ 905MHz                             | dB          | 27   | 35    | -    |
| 905 ~ 950MHz                             | dB          | 45   | 49    | -    |
| 950 ~ 1500MHz                            | dB          | 40   | 47    |      |
| 1500 ~ 3000MHz                           | dB          | 25   | 28    |      |
| Temperature coefficient of frequency TCf | -36ppm / °C |      |       |      |

**SAW Filter 866.50MHz**  
**Part No: MP02248**

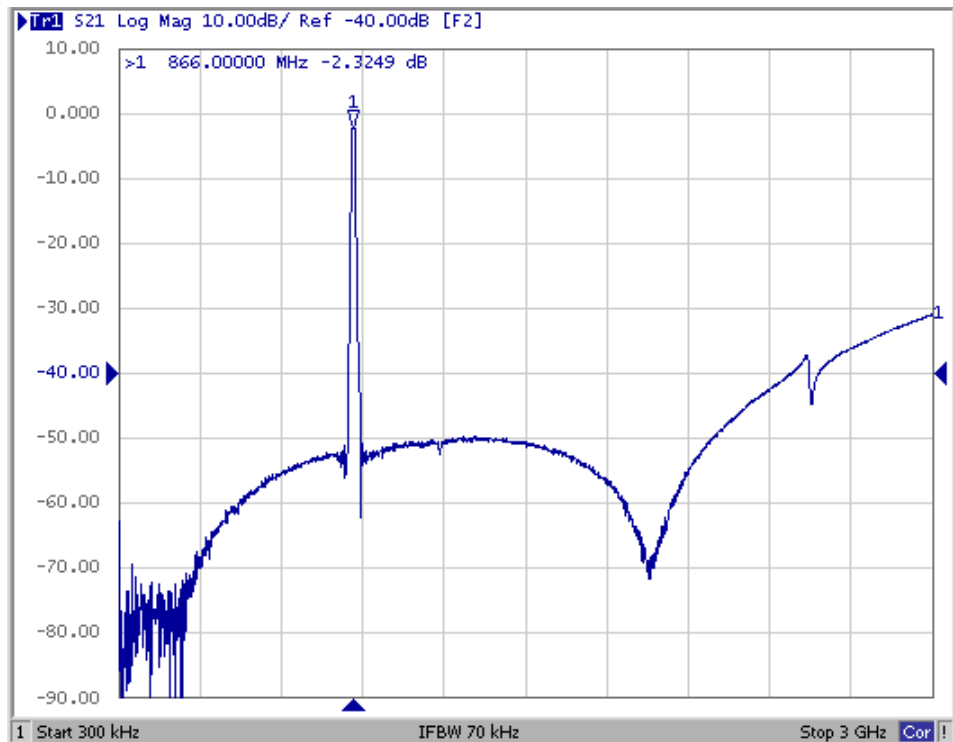
**Model No: TA0801A**  
**Rev No: 4**

**C. FREQUENCY CHARACTERISTICS:**

1. Wide band Response: (span 100MHz)



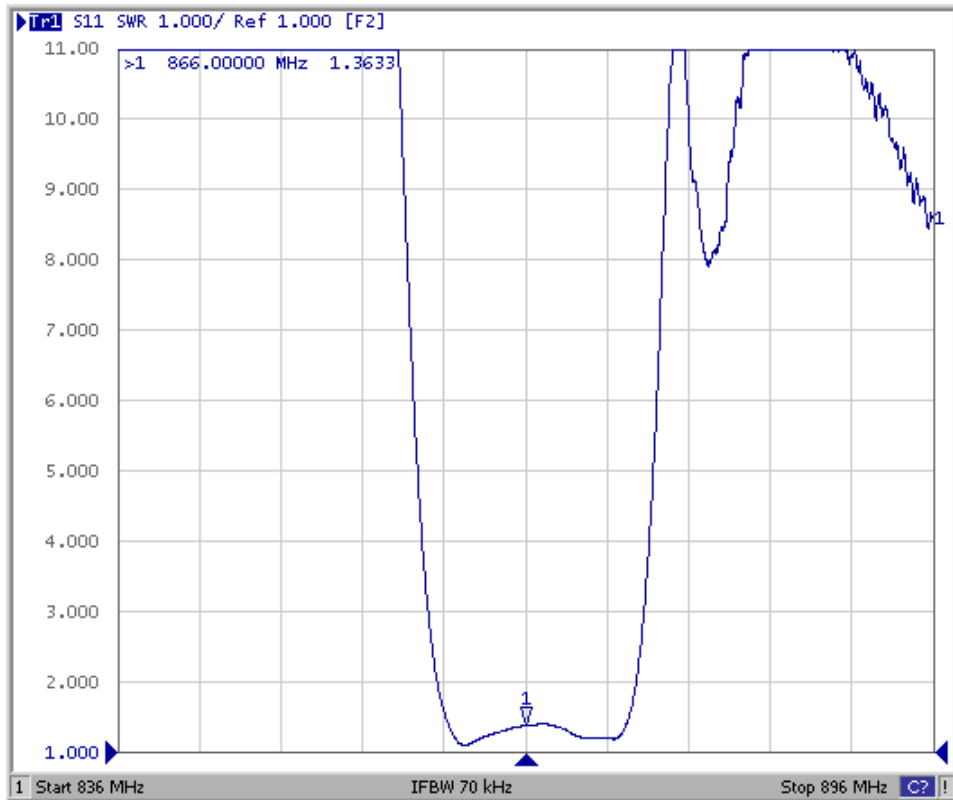
2. Wide band response: (300k ~ 3GHz)



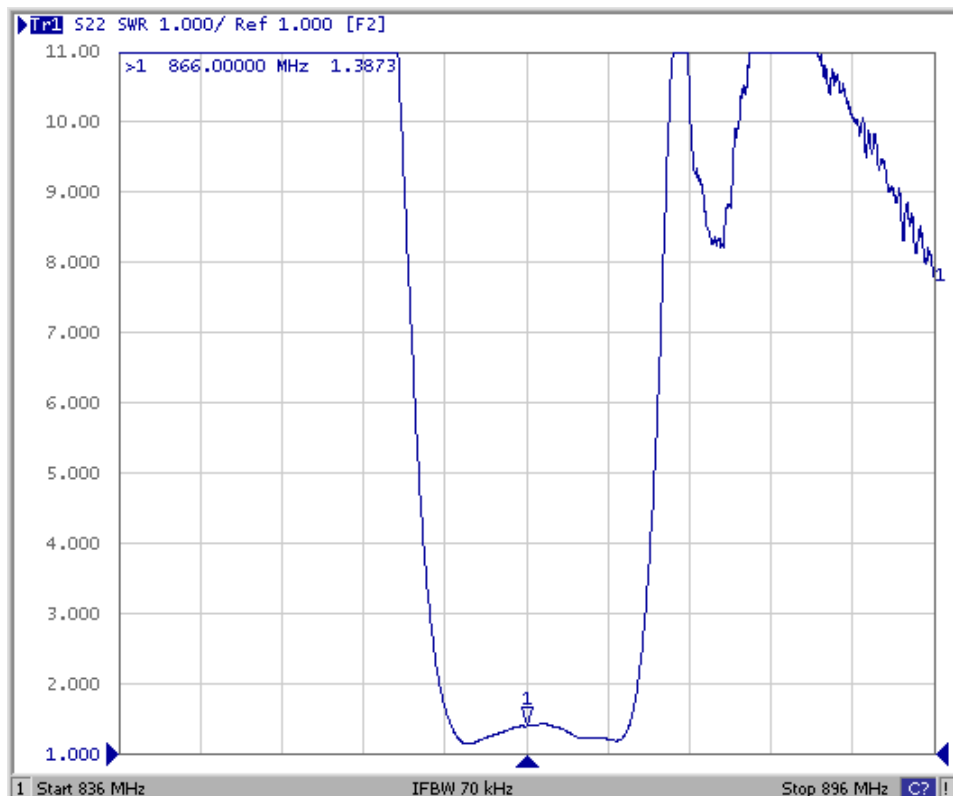
**SAW Filter 866.50MHz**  
**Part No: MP02248**

**Model No: TA0801A**  
**Rev No: 4**

3. S11 VSWR Variation: (span 60MHz)



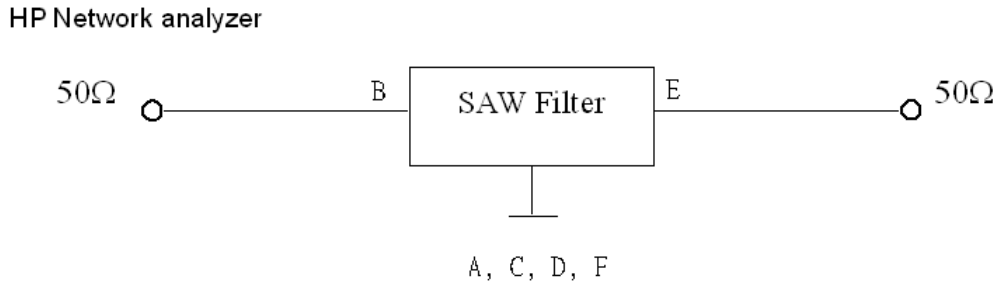
4. S22 VSWR Variation: (span 60MHz)



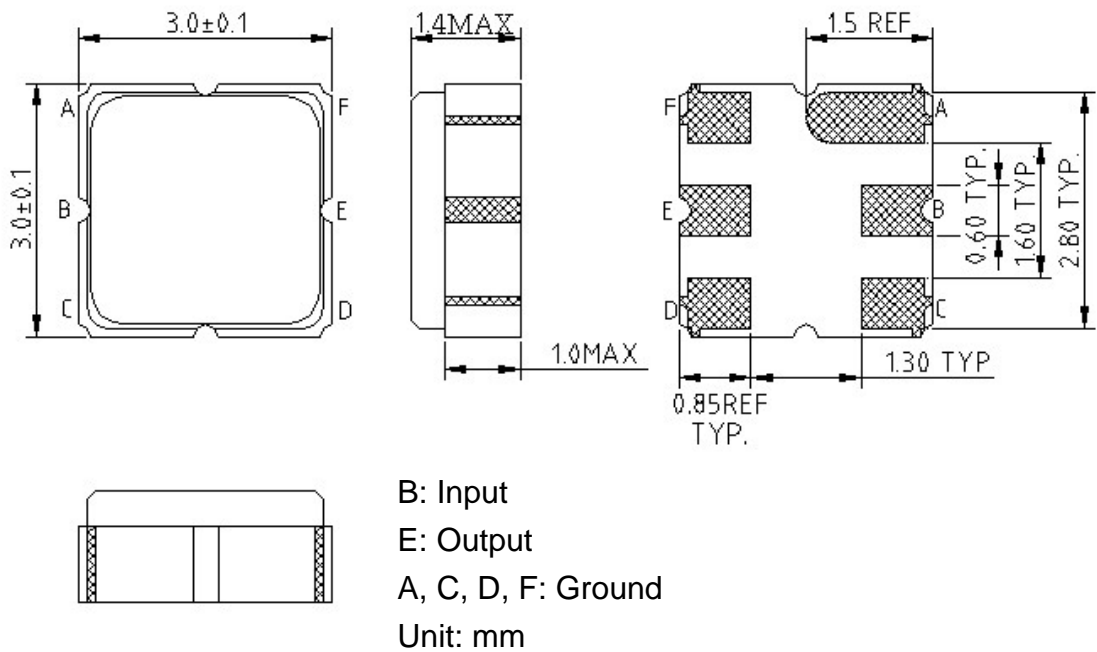
**SAW Filter 866.50MHz**  
**Part No: MP02248**

**Model No: TA0801A**  
**Rev No: 4**

**D. MEASUREMENT CIRCUIT:**



**E. OUTLINE DRAWING:**



**F. PCB FOOTPRINT:**

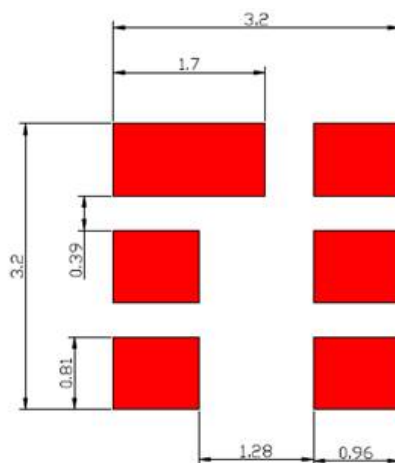


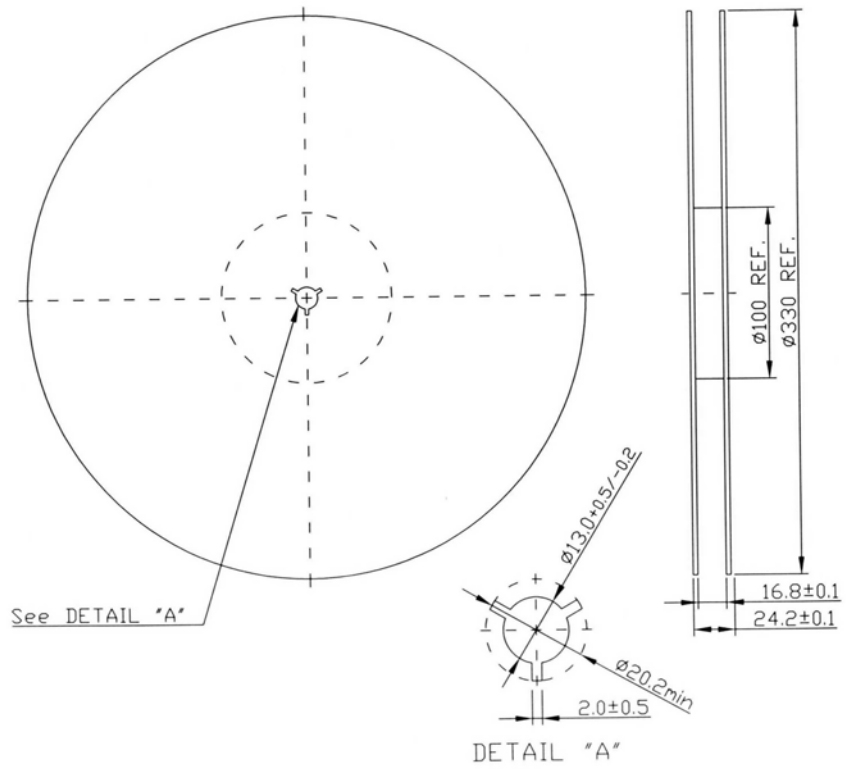
Fig.3 Desirable land area(in mm)

**SAW Filter 866.50MHz**  
**Part No: MP02248**

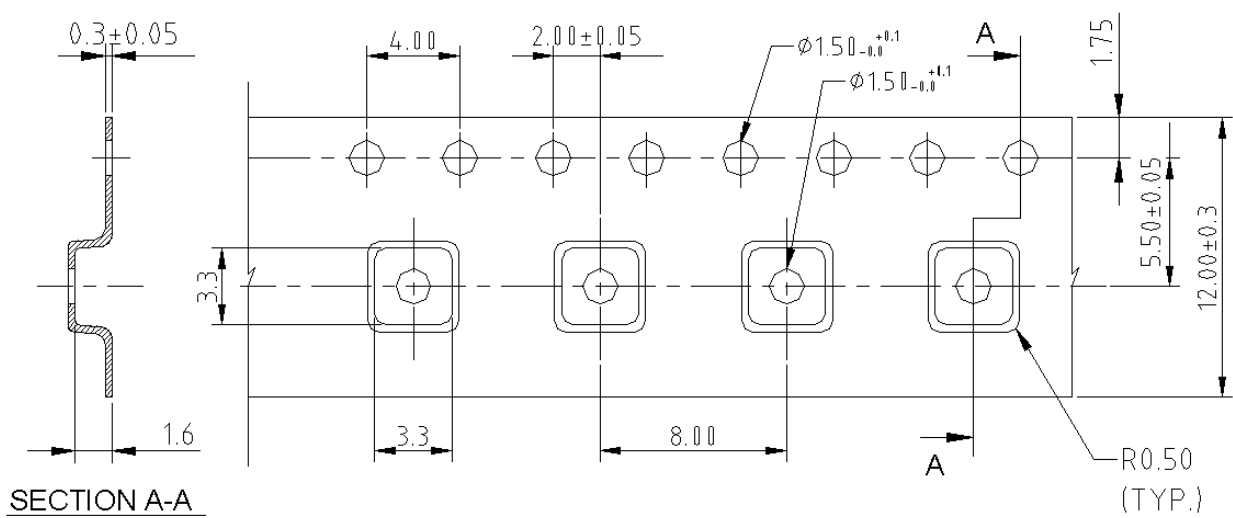
**Model No: TA0801A**  
**Rev No: 4**

**G. PACKING:**

1. Reel Dimension



2. Tape Dimension



**SAW Filter 866.50MHz**  
**Part No: MP02248**

**Model No: TA0801A**  
**Rev No: 4**

**H. RECOMMENDED REFLOW PROFILE:**

1. Preheating shall be fixed at 150 ~ 180°C for 60 ~ 90 seconds.
2. Ascending time to preheating temperature 150°C shall be 30 seconds min.
3. Heating shall be fixed at 220°C for 50 ~ 80 seconds and at 260°C +0/-5°C peak (20 ~ 40 sec).
4. Time: 2 times.

