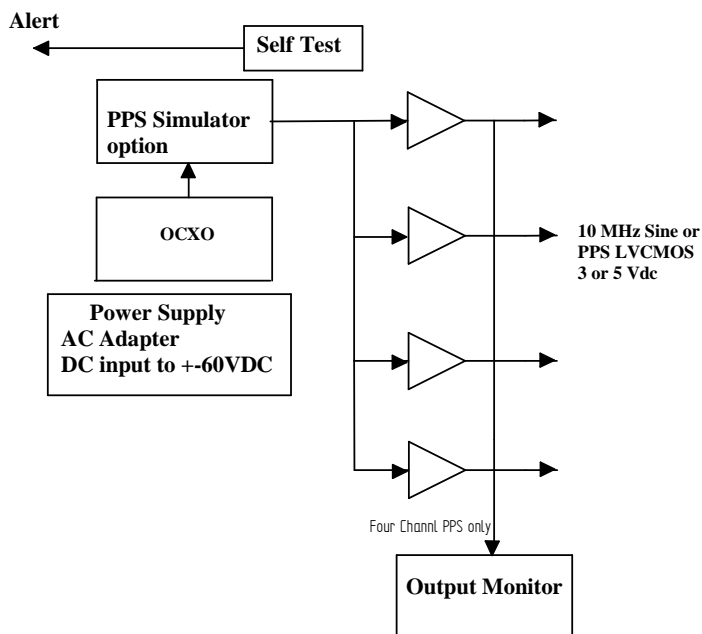


NR3623-O

10MHz Frequency Reference, OCXO (PPS optional), Triple Output

KEY FEATURES



The signal source is a SC cut low phase noise OCXO. Lower phase noise options available. The outputs are a 1 Vrms sine. All outputs are monitored for impedance mismatch and drive individual channel indicators. The standard product is 10 MHz but custom frequencies can be ordered. Optional PPS simulator allows unit to be configured as a four channel PPS source. DC power can range from -60 to +60 VDC in three ranges. Power converter provides electrical isolation from the power source to the output (configuration option). Precision band-gap reference for enhanced temperature stability.

Product Highlights



Typical Phase Noise 10 MHz Sine

Offset Frequency (Hz)	Typical (dBc / Hz)
10	-110
100	-145
1K	-150
10K	-155

Company Datasheet #	NR3623-O
Revision #:	C
Date:	051021

Technical Specifications

10MHz Sine	13 ±2 dBm, 50 Ohm BNC
Harmonics	Less than -30 dBc
First Year Frequency Stability	±50 ppb (tighter stability options available)
Temp Stability	±10 ppb
Yearly Aging	±30ppb
PPS Output	3 or 4 channel 3.3 or 5 VDC. Nominal duty cycle 50% - factory settable.
Power Requirements	Three ranges ± (9 to 18, 18 to 36, 36 to 65) VDC. AC adapter available. Power converter can be configured to provide > 500 volts isolation)
Connectors	BNC 10 MHz output
	Power/Alert mate TE Connectivity P/N 106527-4

Environmental and Mechanical

Operating Temperature	0 to 50C non-condensing (extended temperature range available)
Storage Temperature	-40 to 70C
Width	5.0"
Depth	6.0" (exclusive of connectors)
Height	1.5"
Weight	~16 oz

This document is copyright © May 10, 2021 Novus Power Products LLC. All rights reserved. This document is provided for information purposes only; contents are subject to change without notice. It is not warranted to be error-free, nor subject to any other warranties or conditions including implied warranties and conditions of merchantability or fitness for a particular purpose.