

LX | Levelling feet

Technopolymer base, steel stem

METRIC

RoHS

PA

+100°
-30°

SBR

+70°
-30°

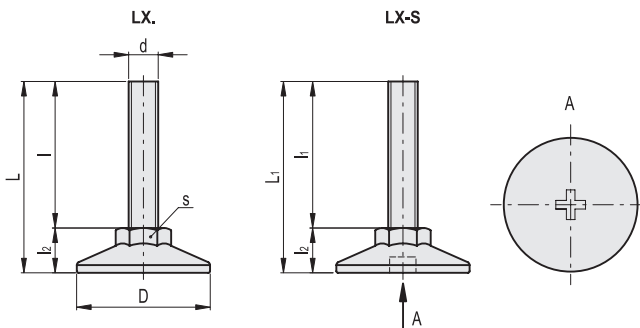
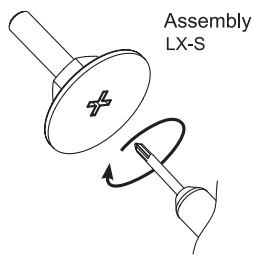
- 1
- 2
- 3
- 4
- 5
- 6
- 7
- 8
- 9
- 10
- 11
- 12
- 13
- 14
- 15
- 16
- 17
- 18

BASE

Polyamide based (PA) technopolymer with adjusting hexagon, black colour, matte finish.

STANDARD EXECUTIONS

- **LX**: zinc-plated steel threaded stem.
- **LX-S**: zinc-plated steel threaded stem, base with screwdriver slot.
- **LX-AS**: zinc-plated steel threaded stem, base with SBR rubber no-slip disk, supplied assembled to the base.



| Conversion Table | |
|-------------------|------|
| 1 mm = 0.039 inch | |
| D | |
| mm | inch |
| 25 | 0.98 |

LX

LX-S

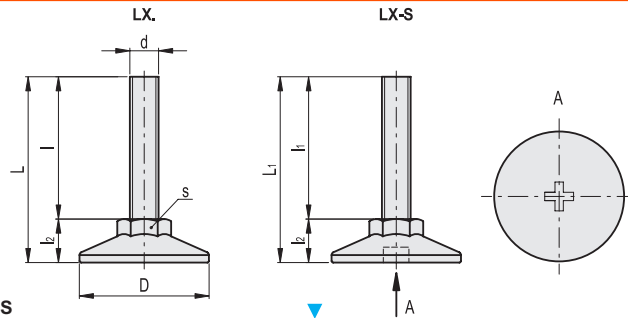
METRIC

| Code | Description | Code | Description | D | d | L | L1 | l | l1 | l2 | s | Max. limit static load* [N] | ⚖️ |
|--------|------------------|----------|--------------------|----|----|----|----|----|----|----|----|-----------------------------|----|
| 431001 | LX.25-SW13-M6x24 | 431001-S | LX.25-SW13-M6x26-S | 25 | M6 | 35 | 37 | 24 | 26 | 11 | 13 | 1500 | 8 |
| 431003 | LX.25-SW13-M6x34 | 431003-S | LX.25-SW13-M6x36-S | 25 | M6 | 45 | 47 | 34 | 36 | 11 | 13 | 1500 | 10 |
| 431005 | LX.25-SW13-M6x54 | 431005-S | LX.25-SW13-M6x56-S | 25 | M6 | 65 | 67 | 54 | 56 | 11 | 13 | 1500 | 14 |
| 431007 | LX.25-SW13-M6x62 | 431007-S | LX.25-SW13-M6x64-S | 25 | M6 | 73 | 75 | 62 | 64 | 11 | 13 | 1500 | 16 |
| 431011 | LX.25-SW13-M8x17 | 431011-S | LX.25-SW13-M8x19-S | 25 | M8 | 28 | 30 | 17 | 19 | 11 | 13 | 2500 | 10 |
| 431013 | LX.25-SW13-M8x22 | 431013-S | LX.25-SW13-M8x24-S | 25 | M8 | 33 | 35 | 22 | 24 | 11 | 13 | 2500 | 12 |
| 431015 | LX.25-SW13-M8x32 | 431015-S | LX.25-SW13-M8x32-S | 25 | M8 | 43 | 45 | 32 | 32 | 11 | 13 | 2500 | 14 |
| 431017 | LX.25-SW13-M8x52 | 431017-S | LX.25-SW13-M8x54-S | 25 | M8 | 63 | 65 | 52 | 54 | 11 | 13 | 2500 | 18 |
| 431019 | LX.25-SW13-M8x72 | 431019-S | LX.25-SW13-M8x74-S | 25 | M8 | 83 | 85 | 72 | 74 | 11 | 13 | 2500 | 22 |

* The max static load is the value above which the load applied to the element may cause some plastic material breakage, in particular conditions of use. Obviously, a factor that takes into consideration the importance and the safety level of the specific application must be applied to this value.

Levelling feet and supports

| Conversion Table 1 mm = 0.039 inch | |
|---------------------------------------|------|
| D | |
| mm | inch |
| 30 | 1.18 |
| 40 | 1.57 |
| 50 | 1.97 |
| 60 | 3.15 |



METRIC

| LX | | LX-S | | METRIC | | | | | | | | | |
|--------|--------------------|----------|----------------------|--------|-----|-------|-------|------|------|------|----|------------------------------|----------|
| Code | Description | Code | Description | D | d | L | L1 | l | l1 | l2 | s | Max. limit static load * [N] | Δ |
| 431051 | LX.30-SW17-M6x22 | 431051-S | LX.30-SW17-M6x26-S | 30 | M6 | 35 | 38 | 23 | 26 | 12 | 17 | 1500 | 14 |
| 431053 | LX.30-SW17-M6x32 | 431053-S | LX.30-SW17-M6x36-S | 30 | M6 | 45 | 48 | 33 | 36 | 12 | 17 | 1500 | 16 |
| 431055 | LX.30-SW17-M6x52 | 431055-S | LX.30-SW17-M6x56-S | 30 | M6 | 65 | 68 | 53 | 56 | 12 | 17 | 1500 | 20 |
| 431057 | LX.30-SW17-M8x16 | 431057-S | LX.30-SW17-M8x18-S | 30 | M8 | 28 | 31 | 16 | 19 | 12 | 17 | 2500 | 17 |
| 431059 | LX.30-SW17-M8x21 | 431059-S | LX.30-SW17-M8x23-S | 30 | M8 | 33 | 36 | 21 | 24 | 12 | 17 | 2500 | 18 |
| 431061 | LX.30-SW17-M8x31 | 431061-S | LX.30-SW17-M8x33-S | 30 | M8 | 43 | 46 | 31 | 34 | 12 | 17 | 2500 | 20 |
| 431063 | LX.30-SW17-M8x51 | 431063-S | LX.30-SW17-M8x53-S | 30 | M8 | 63 | 66 | 51 | 54 | 12 | 17 | 2500 | 24 |
| 431065 | LX.30-SW17-M8x71 | 431065-S | LX.30-SW17-M8x73-S | 30 | M8 | 83 | 86 | 71 | 74 | 12 | 17 | 2500 | 28 |
| 431067 | LX.30-SW17-M10x16 | 431067-S | LX.30-SW17-M10x18-S | 30 | M10 | 28 | 31 | 16 | 19 | 12 | 17 | 3000 | 21 |
| 431069 | LX.30-SW17-M10x21 | 431069-S | LX.30-SW17-M10x23-S | 30 | M10 | 33 | 36 | 21 | 24 | 12 | 17 | 3000 | 22 |
| 431071 | LX.30-SW17-M10x31 | 431071-S | LX.30-SW17-M10x33-S | 30 | M10 | 43 | 46 | 31 | 34 | 12 | 17 | 3000 | 24 |
| 431073 | LX.30-SW17-M10x41 | 431073-S | LX.30-SW17-M10x43-S | 30 | M10 | 53 | 56 | 41 | 44 | 12 | 17 | 3000 | 26 |
| 431075 | LX.30-SW17-M10x51 | 431075-S | LX.30-SW17-M10x53-S | 30 | M10 | 63 | 66 | 51 | 54 | 12 | 17 | 3000 | 28 |
| 431077 | LX.30-SW17-M10x61 | 431077-S | LX.30-SW17-M10x63-S | 30 | M10 | 73 | 76 | 61 | 64 | 12 | 17 | 3000 | 30 |
| 431079 | LX.30-SW17-M10x71 | 431079-S | LX.30-SW17-M10x73-S | 30 | M10 | 83 | 86 | 71 | 74 | 12 | 17 | 3000 | 32 |
| 431031 | LX.40-SW17-M8x12 | 431031-S | LX.40-SW17-M8x14-S | 40 | M8 | 24.5 | 26.5 | 11.5 | 13 | 13.5 | 17 | 2500 | 20 |
| 431033 | LX.40-SW17-M8x20 | 431033-S | LX.40-SW17-M8x22-S | 40 | M8 | 32.5 | 34.5 | 19.5 | 21 | 13.5 | 17 | 2500 | 22 |
| 431035 | LX.40-SW17-M8x30 | 431035-S | LX.40-SW17-M8x32-S | 40 | M8 | 42.5 | 44.5 | 29.5 | 31 | 13.5 | 17 | 2500 | 24 |
| 431037 | LX.40-SW17-M8x50 | 431037-S | LX.40-SW17-M8x52-S | 40 | M8 | 62.5 | 64.5 | 49.5 | 51 | 13.5 | 17 | 2500 | 26 |
| 431039 | LX.40-SW17-M8x70 | 431039-S | LX.40-SW17-M8x72-S | 40 | M8 | 82.5 | 84.5 | 69.5 | 71 | 13.5 | 17 | 2500 | 29 |
| 431041 | LX.40-SW17-M10x20 | 431041-S | LX.40-SW17-M10x22-S | 40 | M10 | 32 | 34 | 18.5 | 21 | 13.5 | 17 | 3000 | 24 |
| 431042 | LX.40-SW17-M10x30 | 431042-S | LX.40-SW17-M10x32-S | 40 | M10 | 42 | 44 | 28.5 | 31 | 13.5 | 17 | 3000 | 26 |
| 431043 | LX.40-SW17-M10x40 | 431043-S | LX.40-SW17-M10x42-S | 40 | M10 | 52 | 54 | 38.5 | 41 | 13.5 | 17 | 3000 | 28 |
| 431044 | LX.40-SW17-M10x50 | 431044-S | LX.40-SW17-M10x52-S | 40 | M10 | 62 | 64 | 48.5 | 51 | 13.5 | 17 | 3000 | 31 |
| 431045 | LX.40-SW17-M10x60 | 431045-S | LX.40-SW17-M10x62-S | 40 | M10 | 72 | 74 | 58.5 | 61 | 13.5 | 17 | 3000 | 34 |
| 431046 | LX.40-SW17-M10x70 | 431046-S | LX.40-SW17-M10x72-S | 40 | M10 | 82 | 84 | 68.5 | 71 | 13.5 | 17 | 3000 | 37 |
| 431049 | LX.40-SW17-M10x100 | 431049-S | LX.40-SW17-M10x102-S | 40 | M10 | 112.5 | 114.5 | 99 | 101 | 13.5 | 17 | 3000 | 46 |
| 431047 | LX.40-SW17-M12x50 | 431047-S | LX.40-SW17-M12x52-S | 40 | M12 | 62.5 | 64.5 | 49 | 51 | 13.5 | 17 | 5000 | 34 |
| 431048 | LX.40-SW17-M12x70 | 431048-S | LX.40-SW17-M12x72-S | 40 | M12 | 82.5 | 84.5 | 69 | 71 | 13.5 | 17 | 5000 | 40 |
| 431050 | LX.40-SW17-M12x100 | 431050-S | LX.40-SW17-M12x102-S | 40 | M12 | 112.5 | 114.5 | 99 | 101 | 13.5 | 17 | 5000 | 50 |
| 431081 | LX.50-SW19-M10x46 | 431081-S | LX.50-SW19-M10x51-S | 50 | M10 | 64 | 66 | 47 | 49 | 17 | 19 | 3000 | 64 |
| 431082 | LX.50-SW19-M10x66 | 431082-S | LX.50-SW19-M10x71-S | 50 | M10 | 84 | 86 | 67 | 69 | 17 | 19 | 3000 | 68 |
| 431083 | LX.50-SW19-M10x96 | 431083-S | LX.50-SW19-M10x101-S | 50 | M10 | 114 | 116 | 97 | 99 | 17 | 19 | 3000 | 75 |
| 431084 | LX.50-SW19-M12x46 | 431084-S | LX.50-SW19-M12x51-S | 50 | M12 | 64 | 66 | 47 | 49 | 17 | 19 | 5000 | 67 |
| 431085 | LX.50-SW19-M12x66 | 431085-S | LX.50-SW19-M12x71-S | 50 | M12 | 84 | 86 | 67 | 69 | 17 | 19 | 5000 | 72 |
| 431086 | LX.50-SW19-M12x96 | 431086-S | LX.50-SW19-M12x101-S | 50 | M12 | 114 | 116 | 97 | 99 | 17 | 19 | 5000 | 79 |
| 431091 | LX.60-SW24-M12x44 | 431091-S | LX.60-SW24-M12x48-S | 60 | M12 | 64.5 | 64.5 | 45.5 | 47.5 | 19 | 24 | 5000 | 67 |
| 431092 | LX.60-SW24-M12x64 | 431092-S | LX.60-SW24-M12x68-S | 60 | M12 | 84.5 | 84.5 | 65.5 | 67.5 | 19 | 24 | 5000 | 73 |
| 431093 | LX.60-SW24-M12x94 | 431093-S | LX.60-SW24-M12x98-S | 60 | M12 | 114.5 | 114.5 | 95.5 | 97.5 | 19 | 24 | 5000 | 82 |
| 431094 | LX.60-SW24-M16x68 | 431094-S | LX.60-SW24-M16x69-S | 60 | M16 | 87 | 84.5 | 68 | 70 | 19 | 24 | 7500 | 102 |
| 431095 | LX.60-SW24-M16x108 | 431095-S | LX.60-SW24-M16x109-S | 60 | M16 | 127 | 124.5 | 108 | 110 | 19 | 24 | 7500 | 132 |
| 431096 | LX.60-SW24-M16x148 | 431096-S | LX.60-SW24-M16x149-S | 60 | M16 | 167 | 164.5 | 148 | 150 | 19 | 24 | 7500 | 156 |

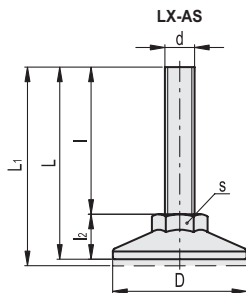
* The max static load is the value above which the load applied to the element may cause some plastic material breakage, in particular conditions of use. Obviously, a factor that takes into consideration the importance and the safety level of the specific application must be applied to this value..



- 1
- 2
- 3
- 4
- 5
- 6
- 7
- 8
- 9
- 10
- 11
- 12
- 13
- 14
- 15
- 16
- 17
- 18

Conversion Table
1 mm = 0.039 inch

| D | |
|----|------|
| mm | inch |
| 25 | 0.98 |
| 30 | 1.18 |
| 40 | 1.57 |
| 50 | 1.97 |
| 60 | 3.15 |



METRIC

LX-AS

| Code | Description | D | d | L | L1 | l | l2 | s | Max. limit static load* [N] | ⚖️ |
|--------|-----------------------|----|-----|-------|-------|-------|----|----|-----------------------------|-----|
| 531001 | LX.25-SW13-AS-M6x24 | 25 | M6 | 35 | 36 | 24 | 11 | 13 | 1500 | 9 |
| 531003 | LX.25-SW13-AS-M6x34 | 25 | M6 | 45 | 46 | 34 | 11 | 13 | 1500 | 11 |
| 531005 | LX.25-SW13-AS-M6x54 | 25 | M6 | 65 | 66 | 54 | 11 | 13 | 1500 | 15 |
| 531007 | LX.25-SW13-AS-M6x62 | 25 | M6 | 73 | 74 | 62 | 11 | 13 | 1500 | 17 |
| 531011 | LX.25-SW13-AS-M8x17 | 25 | M8 | 28 | 29 | 17 | 11 | 13 | 2500 | 11 |
| 531013 | LX.25-SW13-AS-M8x22 | 25 | M8 | 33 | 34 | 22 | 11 | 13 | 2500 | 13 |
| 531015 | LX.25-SW13-AS-M8x32 | 25 | M8 | 43 | 44 | 32 | 11 | 13 | 2500 | 15 |
| 531017 | LX.25-SW13-AS-M8x52 | 25 | M8 | 63 | 64 | 52 | 11 | 13 | 2500 | 19 |
| 531019 | LX.25-SW13-AS-M8x72 | 25 | M8 | 83 | 84 | 72 | 11 | 13 | 2500 | 23 |
| 531051 | LX.30-SW17-AS-M6x22 | 30 | M6 | 34 | 35 | 22 | 12 | 17 | 1500 | 15 |
| 531053 | LX.30-SW17-AS-M6x32 | 30 | M6 | 44 | 45 | 32 | 12 | 17 | 1500 | 17 |
| 531055 | LX.30-SW17-AS-M6x52 | 30 | M6 | 64 | 65 | 52 | 12 | 17 | 1500 | 21 |
| 531057 | LX.30-SW17-AS-M8x16 | 30 | M8 | 28 | 29 | 16 | 12 | 17 | 2500 | 18 |
| 531059 | LX.30-SW17-AS-M8x21 | 30 | M8 | 33 | 34 | 21 | 12 | 17 | 2500 | 19 |
| 531061 | LX.30-SW17-AS-M8x31 | 30 | M8 | 42 | 43 | 31 | 12 | 17 | 2500 | 21 |
| 531063 | LX.30-SW17-AS-M8x51 | 30 | M8 | 63 | 64 | 51 | 12 | 17 | 2500 | 25 |
| 531065 | LX.30-SW17-AS-M8x71 | 30 | M8 | 83 | 84 | 71 | 12 | 17 | 2500 | 29 |
| 531067 | LX.30-SW17-AS-M10x16 | 30 | M10 | 28 | 29 | 16 | 12 | 17 | 3000 | 22 |
| 531069 | LX.30-SW17-AS-M10x21 | 30 | M10 | 33 | 34 | 21 | 12 | 17 | 3000 | 23 |
| 531071 | LX.30-SW17-AS-M10x31 | 30 | M10 | 43 | 44 | 31 | 12 | 17 | 3000 | 25 |
| 531073 | LX.30-SW17-AS-M10x41 | 30 | M10 | 53 | 54 | 41 | 12 | 17 | 3000 | 27 |
| 531075 | LX.30-SW17-AS-M10x51 | 30 | M10 | 63 | 65 | 51 | 12 | 17 | 3000 | 29 |
| 531077 | LX.30-SW17-AS-M10x61 | 30 | M10 | 73 | 74 | 61 | 12 | 17 | 3000 | 31 |
| 531079 | LX.30-SW17-AS-M10x71 | 30 | M10 | 83 | 84 | 71 | 12 | 17 | 3000 | 33 |
| 531031 | LX.40-SW17-AS-M8x12 | 40 | M8 | 24.5 | 25.5 | 11.5 | 13 | 17 | 2500 | 21 |
| 531033 | LX.40-SW17-AS-M8x20 | 40 | M8 | 32.5 | 33.5 | 19.5 | 13 | 17 | 2500 | 23 |
| 531035 | LX.40-SW17-AS-M8x30 | 40 | M8 | 42.5 | 43.5 | 29.5 | 13 | 17 | 2500 | 25 |
| 531037 | LX.40-SW17-AS-M8x50 | 40 | M8 | 62.5 | 63.5 | 49.5 | 13 | 17 | 2500 | 27 |
| 531039 | LX.40-SW17-AS-M8x70 | 40 | M8 | 82.5 | 83.5 | 69.5 | 13 | 17 | 2500 | 30 |
| 531041 | LX.40-SW17-AS-M10x20 | 40 | M10 | 32.5 | 33.5 | 19.5 | 13 | 17 | 3000 | 25 |
| 531042 | LX.40-SW17-AS-M10x30 | 40 | M10 | 42.5 | 43.5 | 29.5 | 13 | 17 | 3000 | 27 |
| 531043 | LX.40-SW17-AS-M10x40 | 40 | M10 | 52.5 | 53.5 | 39.5 | 13 | 17 | 3000 | 29 |
| 531044 | LX.40-SW17-AS-M10x50 | 40 | M10 | 62.5 | 63.5 | 49.5 | 13 | 17 | 3000 | 32 |
| 531045 | LX.40-SW17-AS-M10x60 | 40 | M10 | 72.5 | 73.5 | 59.5 | 13 | 17 | 3000 | 35 |
| 531046 | LX.40-SW17-AS-M10x70 | 40 | M10 | 82.5 | 83.5 | 69.5 | 13 | 17 | 3000 | 38 |
| 531047 | LX.40-SW17-AS-M10x100 | 40 | M10 | 112.5 | 113.5 | 99.5 | 13 | 17 | 3000 | 47 |
| 531048 | LX.40-SW17-AS-M12x50 | 40 | M12 | 62.5 | 63.5 | 49.5 | 13 | 17 | 5000 | 35 |
| 531049 | LX.40-SW17-AS-M12x70 | 40 | M12 | 82.5 | 83.5 | 69.5 | 13 | 17 | 5000 | 41 |
| 531050 | LX.40-SW17-AS-M12x100 | 40 | M12 | 112.5 | 113.5 | 99.5 | 13 | 17 | 5000 | 51 |
| 531081 | LX.50-SW19-AS-M10x46 | 50 | M10 | 62.5 | 63.5 | 45.5 | 17 | 19 | 3000 | 65 |
| 531082 | LX.50-SW19-AS-M10x66 | 50 | M10 | 82.5 | 83.5 | 65.5 | 17 | 19 | 3000 | 69 |
| 531083 | LX.50-SW19-AS-M10x96 | 50 | M10 | 112.5 | 113.5 | 95.5 | 17 | 19 | 3000 | 76 |
| 531084 | LX.50-SW19-AS-M12x46 | 50 | M12 | 62.5 | 63.5 | 45.5 | 17 | 19 | 5000 | 68 |
| 531085 | LX.50-SW19-AS-M12x66 | 50 | M12 | 82.5 | 83.5 | 65.5 | 17 | 19 | 5000 | 73 |
| 531086 | LX.50-SW19-AS-M12x96 | 50 | M12 | 112.5 | 113.5 | 95.5 | 17 | 19 | 5000 | 80 |
| 531091 | LX.60-SW24-AS-M12x44 | 60 | M12 | 62.5 | 63.5 | 43.5 | 19 | 24 | 5000 | 68 |
| 531092 | LX.60-SW24-AS-M12x64 | 60 | M12 | 82.5 | 83.5 | 63.5 | 19 | 24 | 5000 | 74 |
| 531093 | LX.60-SW24-AS-M12x94 | 60 | M12 | 112.5 | 113.5 | 93.5 | 19 | 24 | 5000 | 83 |
| 531094 | LX.60-SW24-AS-M16x64 | 60 | M16 | 82.5 | 83.5 | 63.5 | 19 | 24 | 7500 | 103 |
| 531095 | LX.60-SW24-AS-M16x104 | 60 | M16 | 122.5 | 123.5 | 103.5 | 19 | 24 | 7500 | 133 |
| 531096 | LX.60-SW24-AS-M16x144 | 60 | M16 | 162.5 | 163.5 | 143.5 | 19 | 24 | 7500 | 157 |

* The max static load is the value above which the load applied to the element may cause some plastic material breakage, in particular conditions of use. Obviously, a factor that takes into consideration the importance and the safety level of the specific application must be applied to this value.

Levelling feet and supports