

MATERIALS AND FINISHES:

BODY, JAM NUT: BRASS
FINISH: SEE TABLE

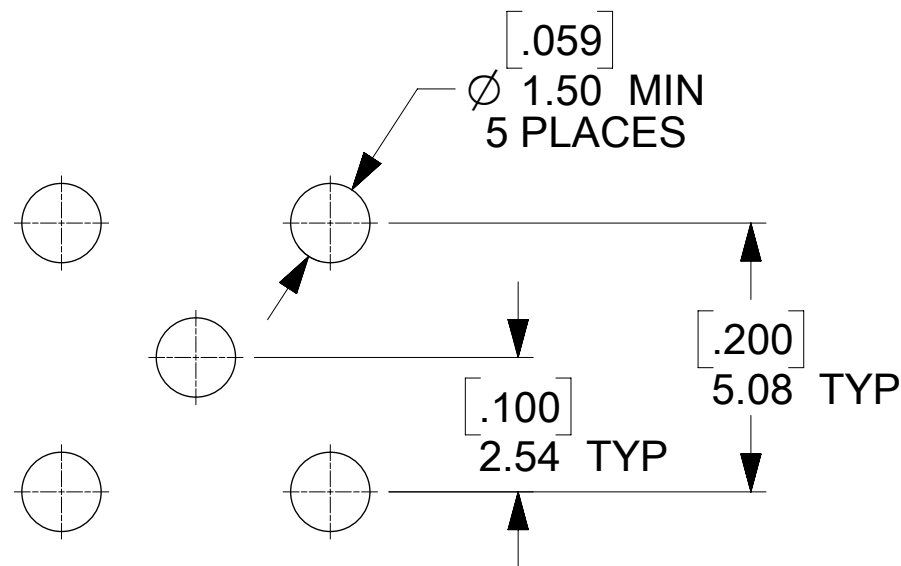
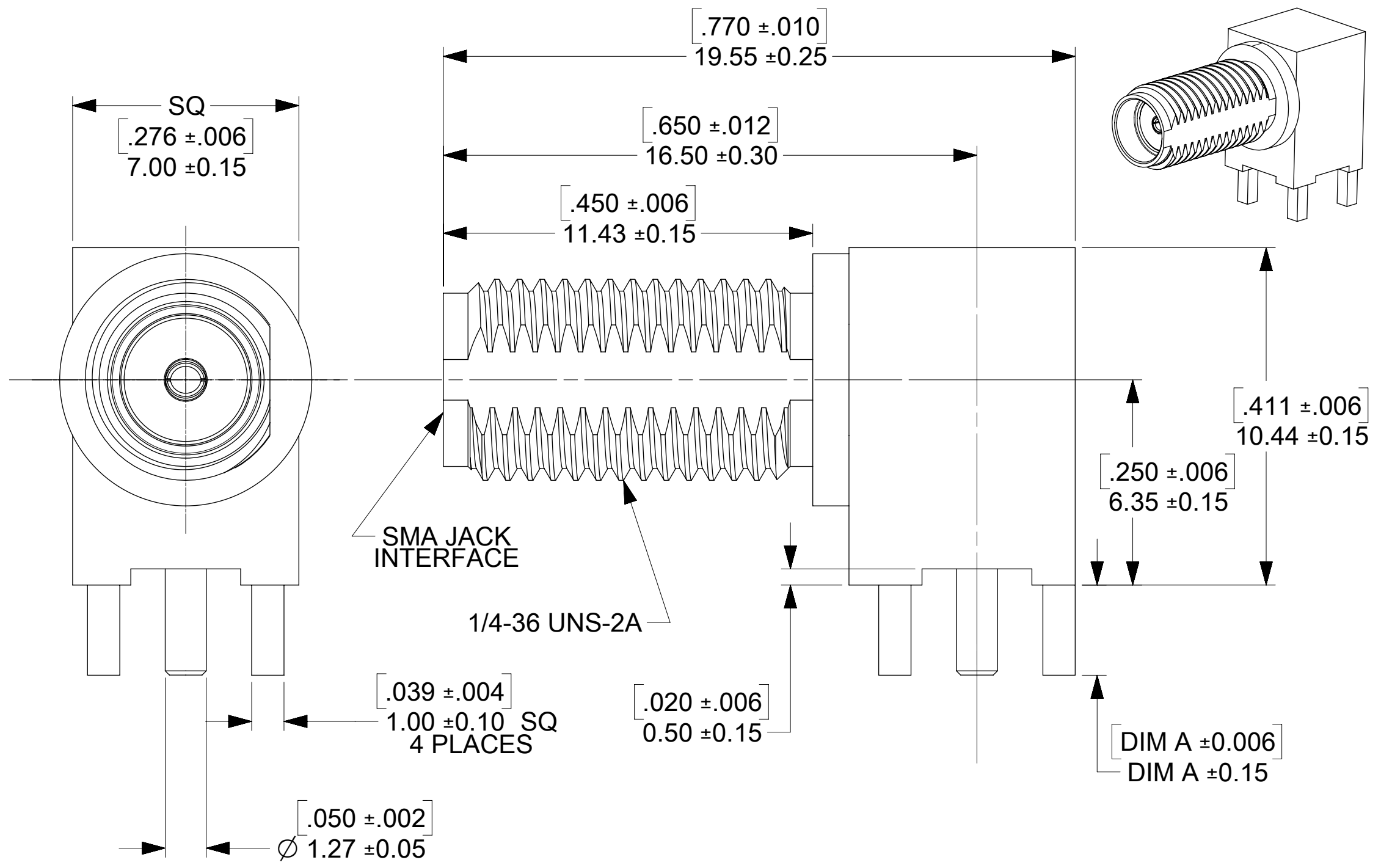
CENTER CONTACT: BERYLLIUM COPPER
PLATED GOLD

INSULATOR: TEFLON

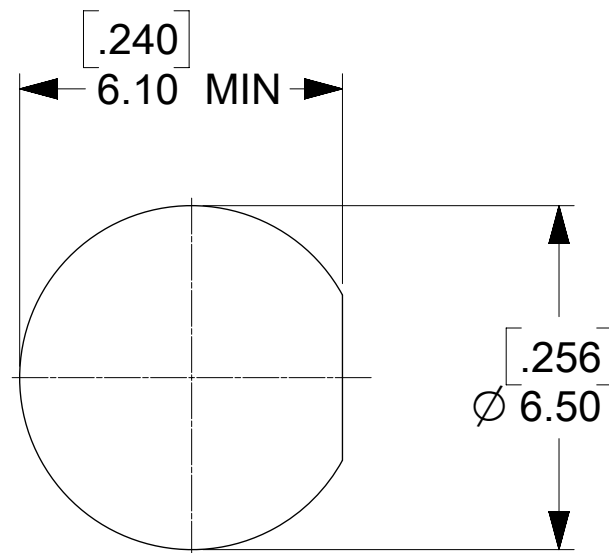
LOCKWASHER: PHOSPHOR BRONZE
FINISH: SEE TABLE

ELECTRICAL REQUIREMENTS:

- VOLTAGE STANDING WAVE RATIO
 - 1.1(MAX) @0-6GHz.
 - 1.5(MAX) @6-12GHz.
 - 1.8(MAX) @12-18GHz.
- RF INSERTION LOSS:
 - 0.1(MAX) @0-6GHz.
 - 0.4(MAX) @6-12GHz.
 - 0.7(MAX) @12-18GHz.



RECOMMENDED PCB LAYOUT

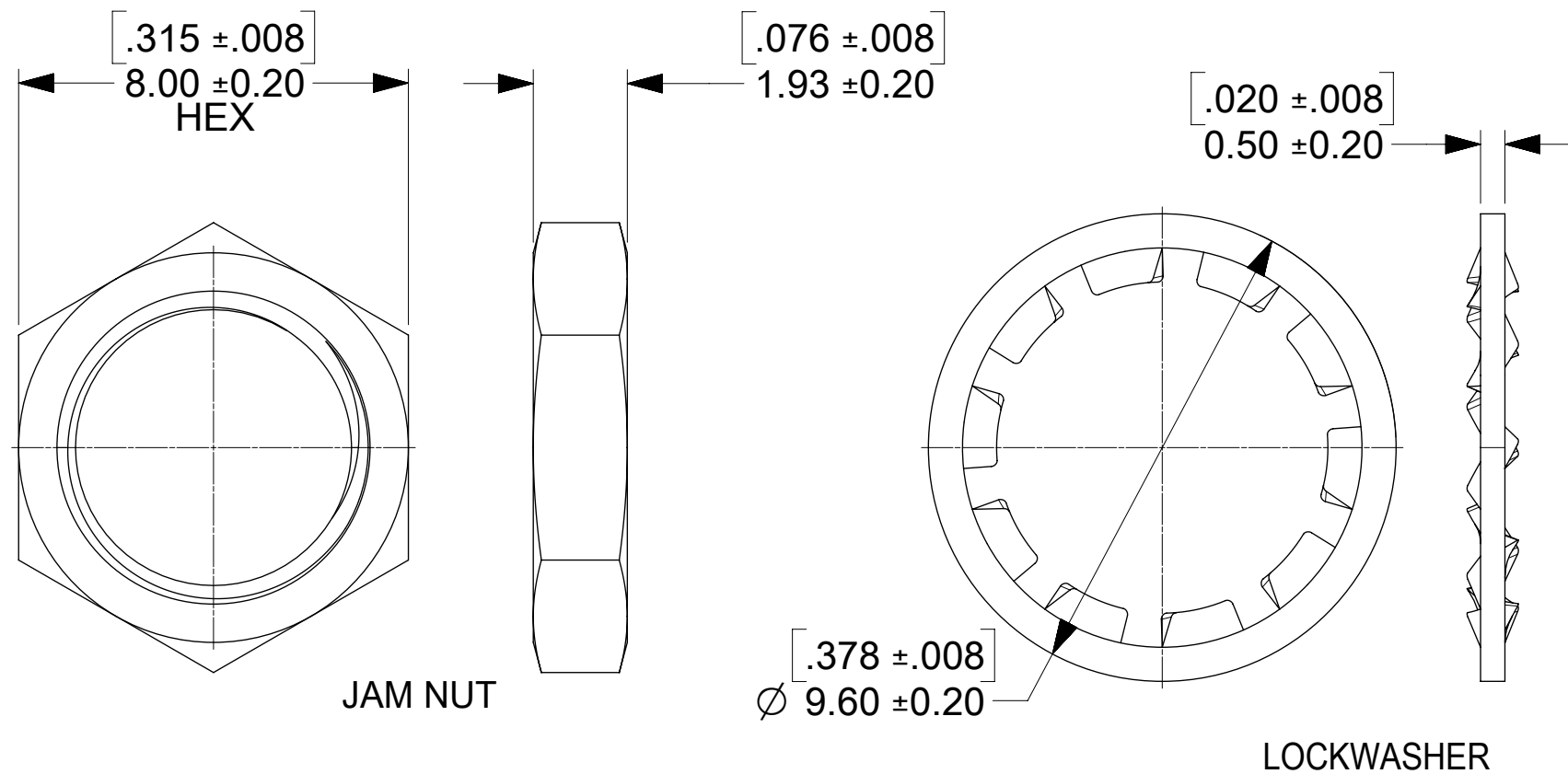


RECOMMENDED PANEL CUTOUT

SEE SD-73251-496 FOR PART NO. CONTINUATION

73251-2209	GOLD FLASH / STANDARD TRAY	3.94	.155
73251-2208	GOLD FLASH/STANDARD TRAY W/O WASHER AND NUT	3.94	.155
73251-2207	73251-2201 PACKAGED ONE PER BAG	2.79	.110
73251-2206	SAME AS 73251-2201 EXCEPT COMMERCIAL CONTACT	2.79	.110
73251-2205	SAME AS 73251-2200 EXCEPT COMMERCIAL CONTACT	2.79	.110
73251-2204	GOLD FLASH/STANDARD TRAY W/O WASHER AND NUT	2.79	.110
73251-2203	GOLD FLASH / STANDARD TRAY (54 CAVITY)	2.79	.110
73251-2202	73251-2201 PACKAGED IN SMALL TRAY (20 CAVITY)	2.79	.110
73251-2201	GOLD / STANDARD TRAY	2.79	.110
73251-2200	NICKEL / STANDARD TRAY	2.79	.110
PART NO.	PLATING (BODY, NUT, LOCKWASHER) AND PACKAGING	mm	IN

DIM A



JAM NUT

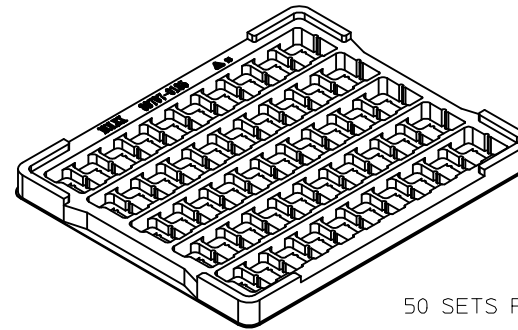
LOCKWASHER

PS-89675-368	SOLDER SPEC PROFILE
PS-89675-346	ELECTRO/MECH PERFORM.
SPECIFICATION	DESCRIPTION

FUNCTIONAL SYMBOLS	THIS DRAWING CONTAINS INFORMATION THAT IS PROPRIETARY TO MOLEX ELECTRONIC TECHNOLOGIES, LLC AND SHOULD NOT BE USED WITHOUT WRITTEN PERMISSION			
	DIMENSION UNITS	SCALE	CURRENT REV DESC: ADD SOLDER SPEC NO. PER EWR14716-B	
$\nabla_A = 0$	mm	NTS		
$\nabla_C = 0$	GENERAL TOLERANCES (UNLESS SPECIFIED)			
	ANGULAR TOL \pm °			
DIVISIONAL SYMBOLS	4 PLACES	\pm	EC NO: 675413	
	3 PLACES	\pm	DRWN: CWEI02	2021/08/24
	2 PLACES	\pm	CHK'D: YCHENG	2021/08/26
	1 PLACE	\pm	APPR: YCHENG	2021/08/26
0 PLACES	\pm	INITIAL REVISION:		
DRAFT WHERE APPLICABLE MUST REMAIN WITHIN DIMENSIONS		THIRD ANGLE PROJECTION	DRAWING	SERIES
			C-SIZE	73251
DOCUMENT STATUS	P1	RELEASE DATE	2021/08/26 10:31:44	
MOLEX		SMA JACK, R/A PCB 50 OHM SMA-J/RA/PCB EWR-2144		
PRODUCT CUSTOMER DRAWING				
DOCUMENT NUMBER		DOC TYPE	DOC PART	REVISION
SD-73251-220		PSD	000	D14
MATERIAL NUMBER	CUSTOMER	SHEET NUMBER		
SEE TABLE	GENERAL MARKET	1 OF 1		

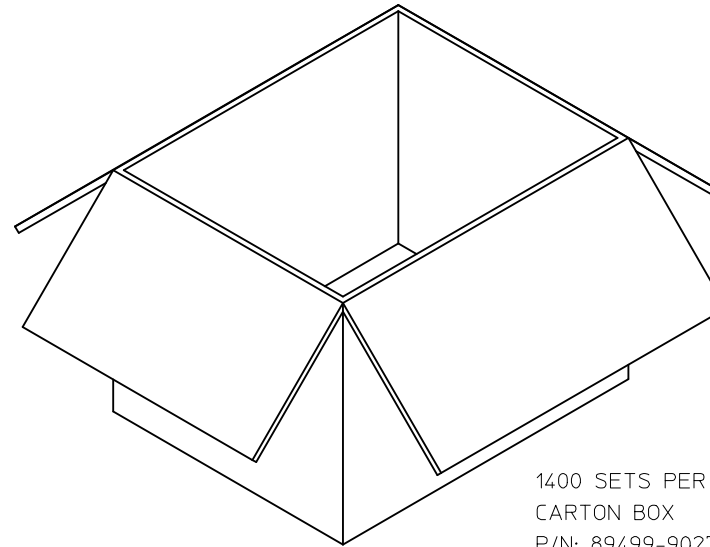


P/N: 73251-2200 / 73251-2201
 73251-2205 / 73251-2206
 73251-2208 / 73251-2209



50 SETS PER TRAY
 TRAY P/N: 89707-0185

FOR 73251-2200, 73251-2201,
 73251-2205, 73251-2206,
 73251-2208, AND 73251-2209

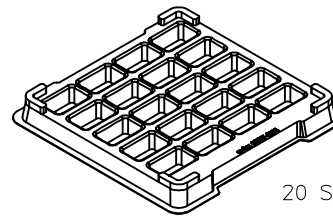


1400 SETS PER OUTER
 CARTON BOX
 P/N: 89499-9027

CHG NEW RELEASE PER RF13-E131 EC NO: URF2013-0734 DRAWN BY: RYEH 2013/06/28 CHKD: KERRIE APPR: MHUANG 2013/07/26 REV: A	QUALITY SYMBOLS = 0 = 0 = 0	GENERAL TOLERANCES (UNLESS SPECIFIED) <table border="1"> <tr> <td></td> <td>mm</td> <td>INCH</td> </tr> <tr> <td>4 PLACES</td> <td>± .005</td> <td>± .0004</td> </tr> <tr> <td>3 PLACES</td> <td>± .005</td> <td>± .0004</td> </tr> <tr> <td>2 PLACES</td> <td>± .005</td> <td>± .0004</td> </tr> <tr> <td>1 PLACE</td> <td>± .005</td> <td>± .0004</td> </tr> <tr> <td>0 PLACE</td> <td>± .005</td> <td>± .0004</td> </tr> </table>		mm	INCH	4 PLACES	± .005	± .0004	3 PLACES	± .005	± .0004	2 PLACES	± .005	± .0004	1 PLACE	± .005	± .0004	0 PLACE	± .005	± .0004	DIMENSION STYLE MM/IN DRAWN BY: RYEH DATE: 2013/06/28 CHECKED BY: KERRIE DATE: 2013/06/28 APPROVED BY: MHUANG DATE: 2013/07/26	SCALE: 2.5:1 DESIGN UNITS: METRIC THIRD ANGLE PROJECTION	SMA JACK R/A PCB TH 50 OHMS SMA-J/PCB 	MATERIAL NO. SEE TABLE	DOCUMENT NO. SD-73251-220-PKG	SHEET NO. 1 OF 4
		mm	INCH																							
	4 PLACES	± .005	± .0004																							
	3 PLACES	± .005	± .0004																							
2 PLACES	± .005	± .0004																								
1 PLACE	± .005	± .0004																								
0 PLACE	± .005	± .0004																								
ANGULAR ± 2°		DRAFT WHERE APPLICABLE MUST REMAIN WITHIN DIMENSIONS		molex		SD-73251-220-PKG		1 OF 4																		
THIS DRAWING CONTAINS INFORMATION THAT IS PROPRIETARY TO MOLEX INCORPORATED AND SHOULD NOT BE USED WITHOUT WRITTEN PERMISSION																										
SIZE C																										

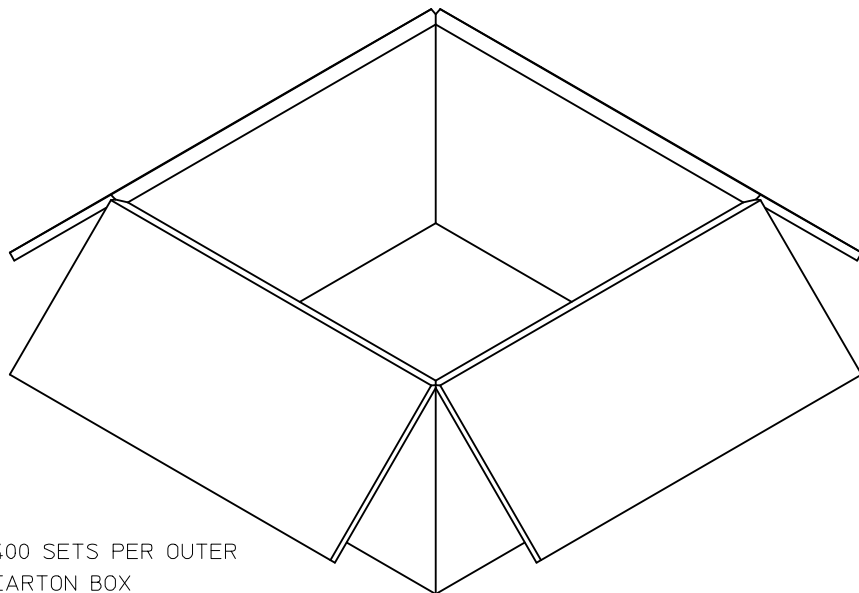


P/N: 73251-2202

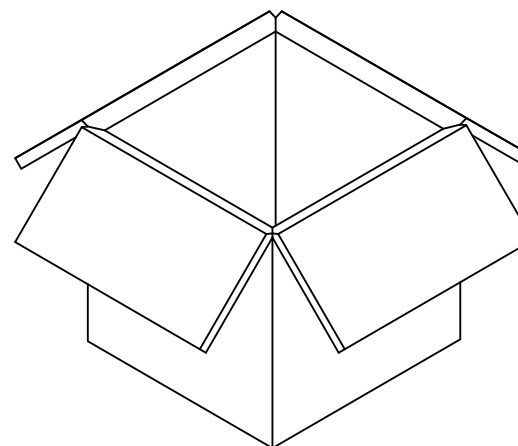


20 SETS PER TRAY
TRAY P/N: 89707-0308

FOR 73251-2202 ONLY



400 SETS PER OUTER
CARTON BOX
P/N: 96707-0002



200 SETS PER INNER
CARTON BOX
P/N: 96707-0005

CHG:SEE SHEET 1
EC NO: URF2013-0734
DRAWN:RYEH 2013/06/28
CHKD:
APPR:MHUANG 2013/07/26

REV	DESCRIPTION	QUALITY SYMBOLS
A		

GENERAL TOLERANCES (UNLESS SPECIFIED)

	mm	INCH
4 PLACES	± .005	± .0002
3 PLACES	± .005	± .0002
2 PLACES	± .005	± .0002
1 PLACE	± .005	± .0002
0 PLACE	± .005	± .0002

ANGULAR ± 2°

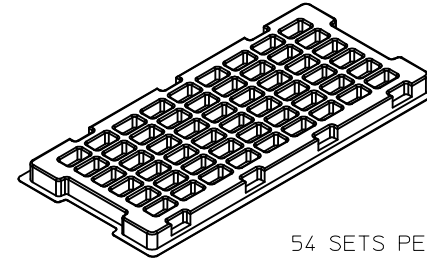
DRAFT WHERE APPLICABLE MUST REMAIN WITHIN DIMENSIONS

DIMENSION STYLE		SCALE		DESIGN UNITS	
MM/IN		2:1		METRIC	
DRAWN BY	DATE	TITLE			
RYEH	2013/06/28	SMA JACK R/A PCB TH			
CHECKED BY	DATE	50 OHMS			
KERRIE	2013/06/28	SMA-J/PCB			
APPROVED BY	DATE	molex			
MHUANG	2013/07/26				
MATERIAL NO.	DOCUMENT NO.	SHEET NO.			
SEE TABLE	SD-73251-220-PKG	2 OF 4			

THIS DRAWING CONTAINS INFORMATION THAT IS PROPRIETARY TO MOLEX INCORPORATED AND SHOULD NOT BE USED WITHOUT WRITTEN PERMISSION

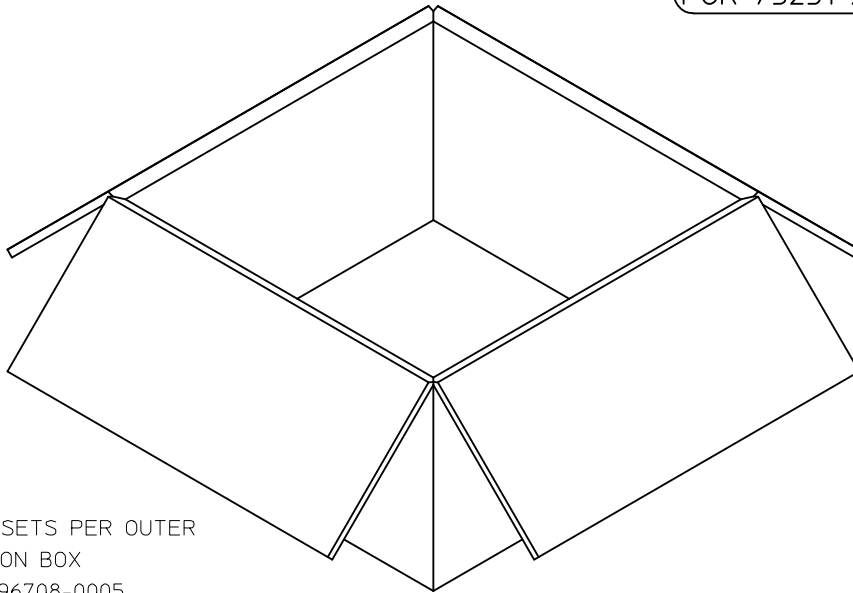


P/N: 73251-2203 / 73251-2204

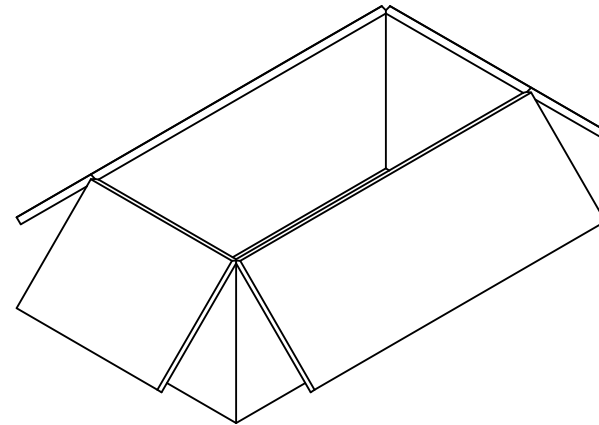


54 SETS PER TRAY
TRAY P/N: 89707-0220

FOR 73251-2203 AND 73251-2204



1080 SETS PER OUTER
CARTON BOX
P/N: 96708-0005



540 SETS PER INNER
CARTON BOX
P/N: 96707-0001

CHG:SEE SHEET 1	2013/06/28
EC NO: URF2013-0734	
DRW:RYEH	
CHKD:	
APPR:MHUANG	2013/07/26
REV	DESCRIPTION
A	

QUALITY SYMBOLS
= 0
= 0
= 0

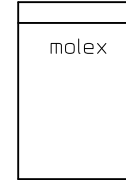
GENERAL TOLERANCES (UNLESS SPECIFIED)	
mm	INCH
4 PLACES ± .005	± .0004
3 PLACES ± .008	± .0003
2 PLACES ± .010	± .0002
1 PLACE ± .015	± .0001
0 PLACE ± .020	± .0000
ANGULAR ± 2 °	
DRAFT WHERE APPLICABLE MUST REMAIN WITHIN DIMENSIONS	

DIMENSION STYLE	
MM/IN	
DRAWN BY	DATE
RYEH	2013/06/28
CHECKED BY	DATE
KERRIE	2013/06/28
APPROVED BY	DATE
MHUANG	2013/07/26
MATERIAL NO.	
SEE TABLE	

SCALE	DESIGN UNITS	THIRD ANGLE PROJECTION
2:1	METRIC	
TITLE		
SMA JACK R/A PCB TH		
50 OHMS		
SMA-J/PCB		
molex		
MATERIAL NO.	DOCUMENT NO.	SHEET NO.
SEE TABLE	SD-73251-220-PKG	3 OF 4
THIS DRAWING CONTAINS INFORMATION THAT IS PROPRIETARY TO MOLEX INCORPORATED AND SHOULD NOT BE USED WITHOUT WRITTEN PERMISSION		



P/N: 73251-2207

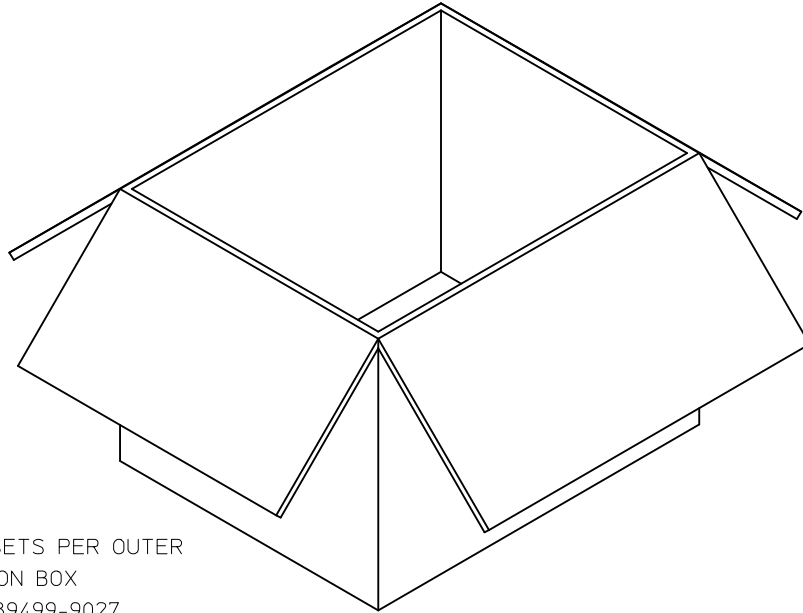


1 SET PER POLYBAG
P/N: 89707-0317

FOR 73251-2207 ONLY



50 SETS PER POLYBAG
P/N: 89707-0174



500 SETS PER OUTER
CARTON BOX
P/N: 89499-9027



CHG:SEE SHEET 1
EC NO: URF2013-0734
DRAWN:RYEH
CHKD:
APPR:MHUANG

2013/06/28
2013/07/26

DESCRIPTION

REV	DESCRIPTION	QUALITY SYMBOLS
A		

GENERAL TOLERANCES (UNLESS SPECIFIED)

	mm	INCH
4 PLACES	± .005	± .0002
3 PLACES	± .005	± .0002
2 PLACES	± .005	± .0002
1 PLACE	± .005	± .0002
0 PLACE	± .005	± .0002

ANGULAR ± 2 °

DRAFT WHERE APPLICABLE MUST REMAIN WITHIN DIMENSIONS

DIMENSION STYLE		SCALE	DESIGN UNITS	THIRD ANGLE PROJECTION
MM/IN		1:1	METRIC	
DRAWN BY	DATE	TITLE		
RYEH	2013/06/28	SMA JACK R/A PCB TH		
CHECKED BY	DATE	50 OHMS		
KERRIE	2013/06/28	SMA-J/PCB		
APPROVED BY	DATE	molex		
MHUANG	2013/07/26	DOCUMENT NO. SD-73251-220-PKG		
MATERIAL NO.	SEE TABLE	SHEET NO. 4 OF 4		

THIS DRAWING CONTAINS INFORMATION THAT IS PROPRIETARY TO MOLEX INCORPORATED AND SHOULD NOT BE USED WITHOUT WRITTEN PERMISSION

MATERIALS AND FINISHES:

BODY, JAM NUT: BRASS
FINISH: SEE TABLE

CENTER CONTACT: BERYLLIUM COPPER
PLATED GOLD

INSULATOR: TEFLON

LOCK WASHER: PHOSPHOR BRONZE
FINISH: SEE TABLE

PACKAGING: SEE TABLE

ELECTRICAL REQUIREMENTS:

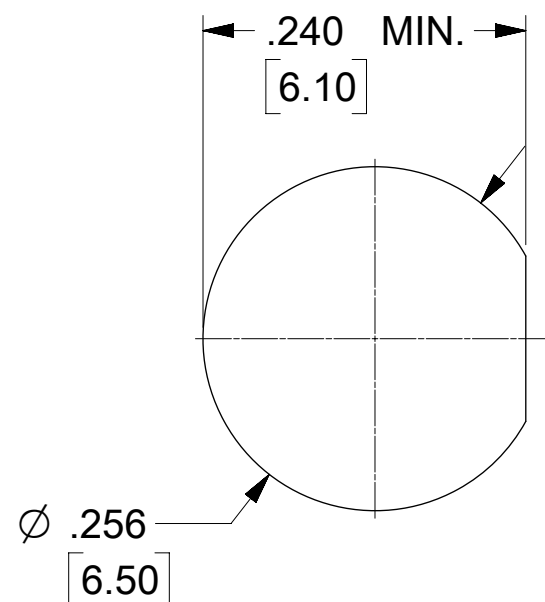
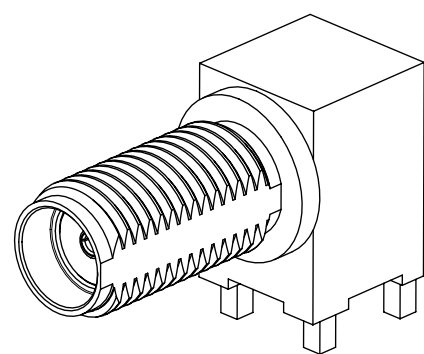
1. VOLTAGE STANDING WAVE RATIO

- 1.1(MAX) @0-6GHz.
- 1.5(MAX) @6-12GHz.
- 1.8(MAX) @12-18GHz.

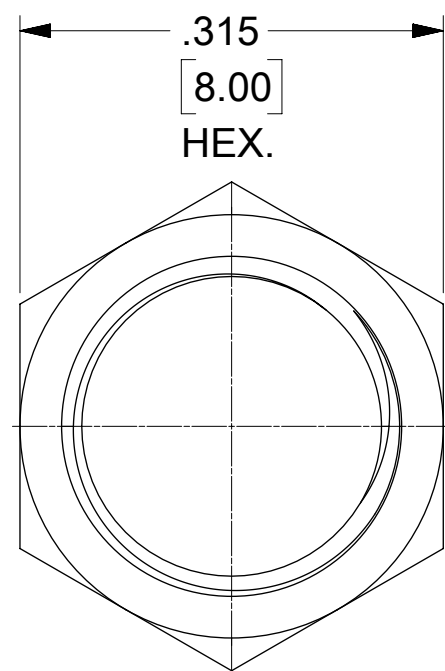
2. RF INSERTION LOSS:

- 0.1(MAX) @0-6GHz.
- 0.4(MAX) @6-12GHz.
- 0.7(MAX) @12-18GHz.

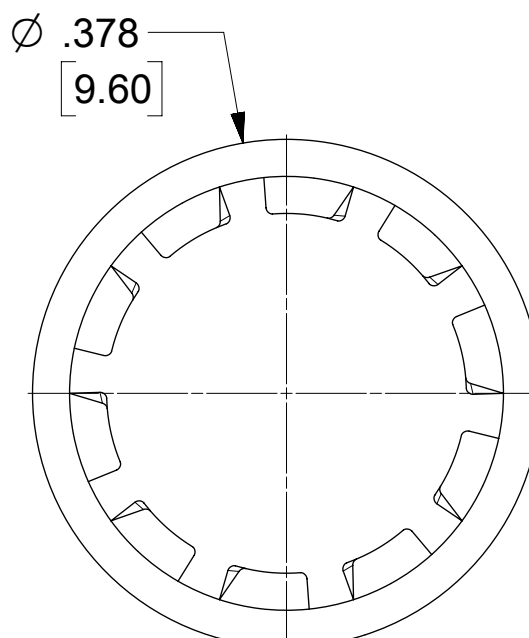
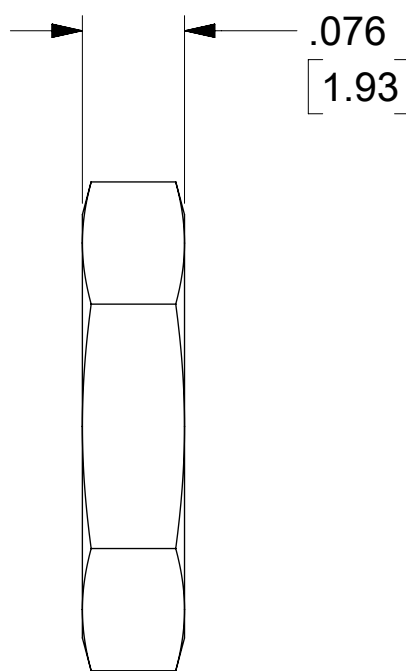
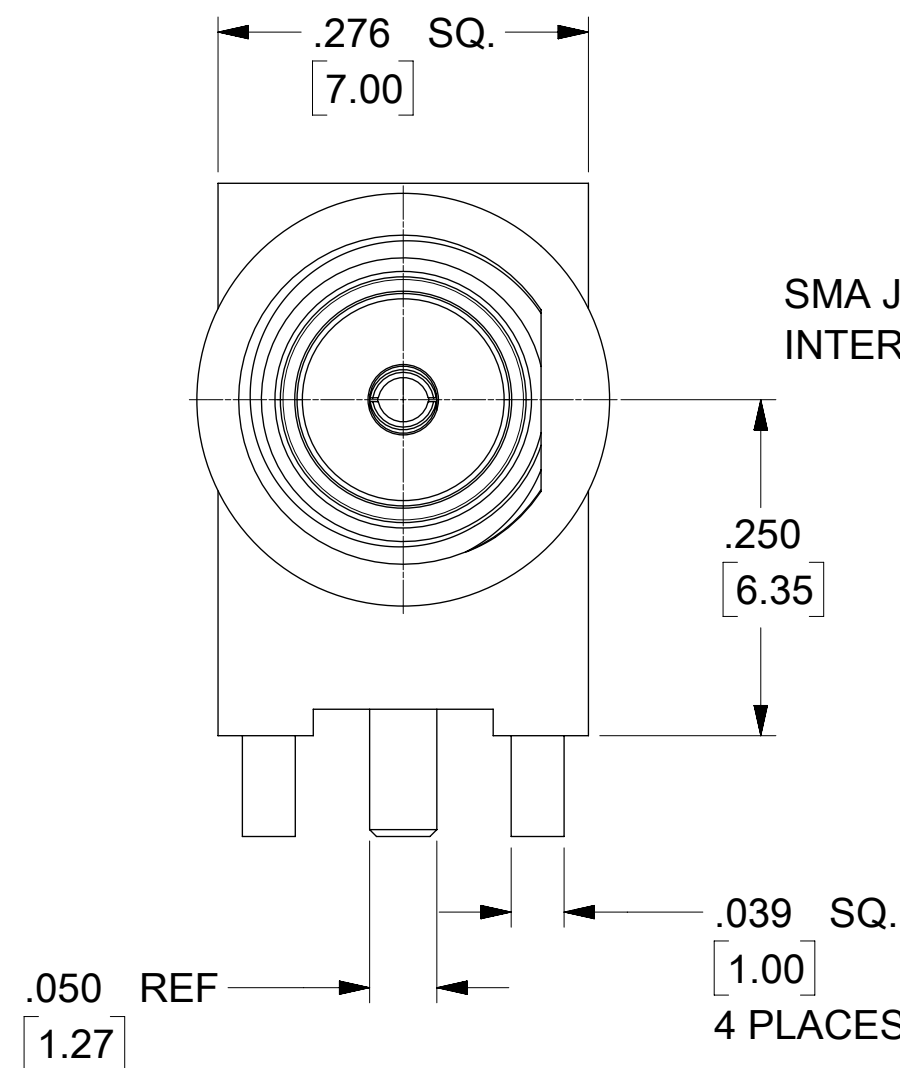
73251-4966	BAG
73251-4965	TRAY
73251-4964	
73251-4963	
73251-4962	
73251-4961	
73251-4960	
PART NO.	PACKAGING



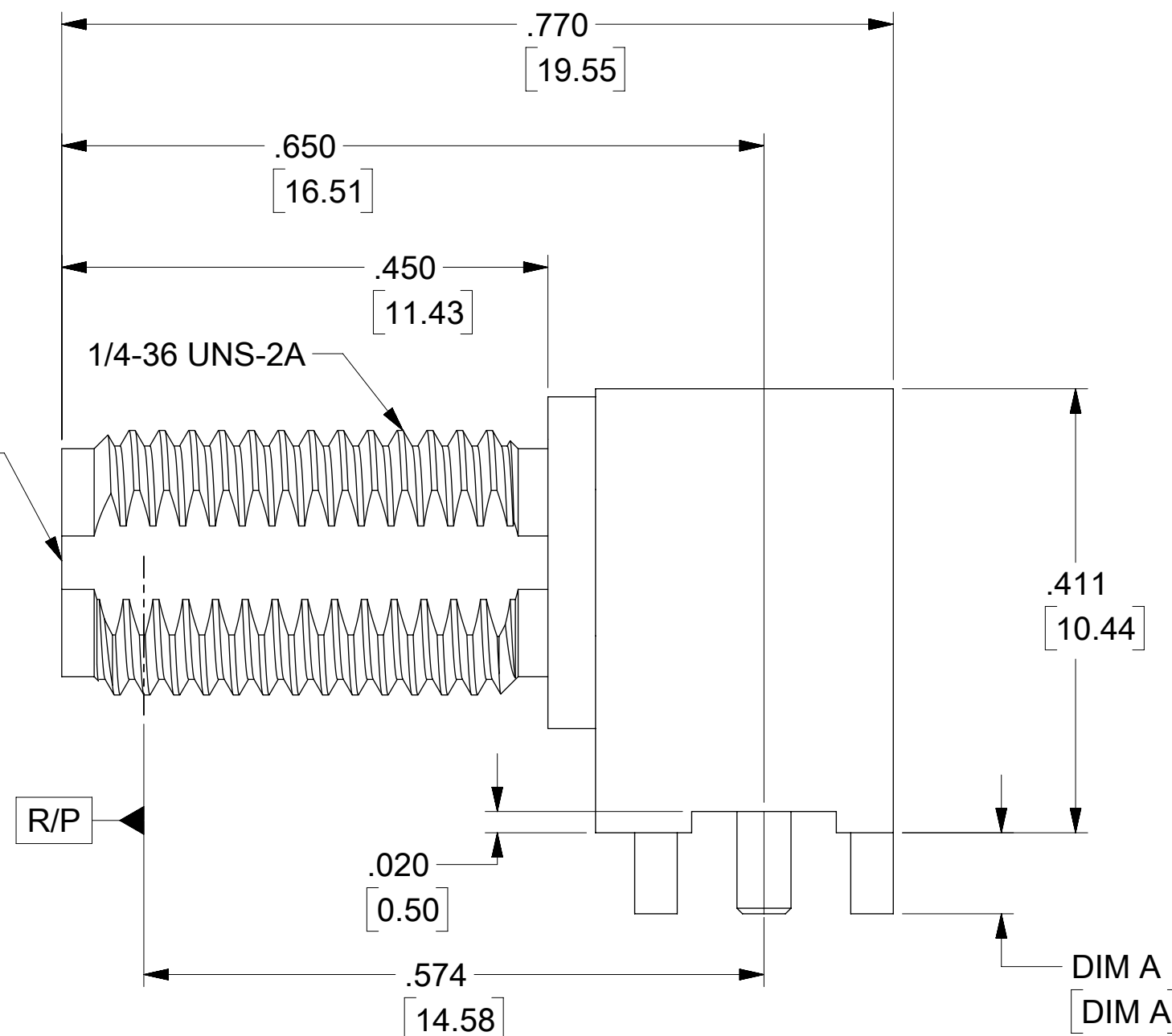
PANEL CUTOUT
.135 / 3.42 MAX THICKNESS



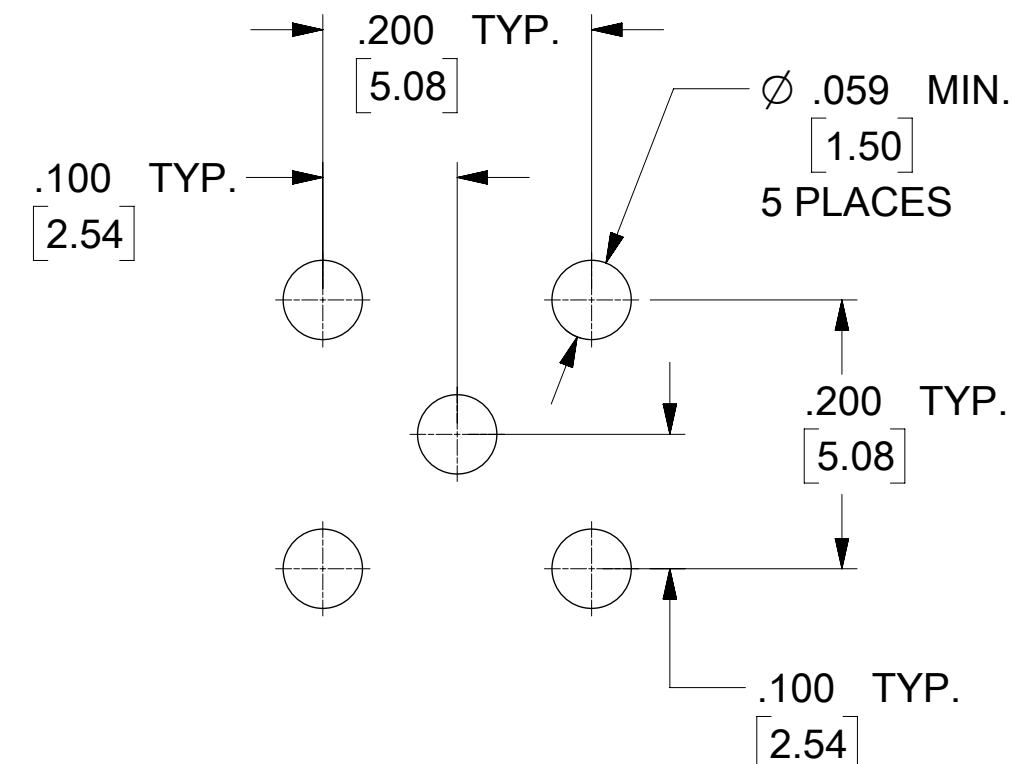
JAM NUT



LOCK WASHER



RECOMMENDED PCB LAYOUT

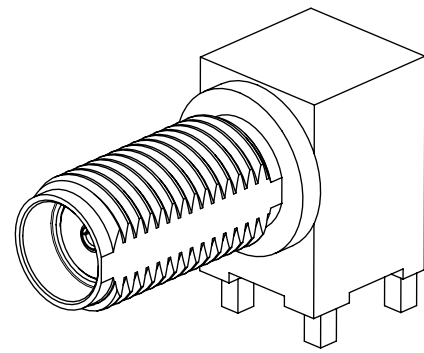


SD-73251-496 IS CONTINUATION FOR SD-73251-220

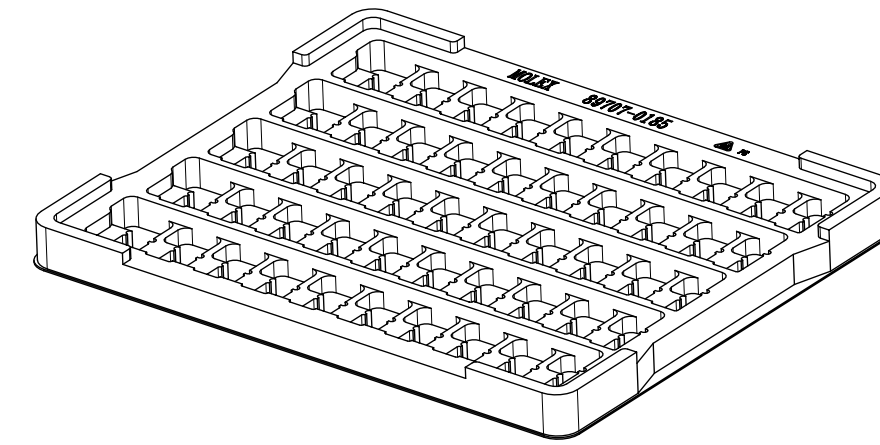
PART NO.	JAM NUT QTY	WASHER QTY	IN / MM	BODY PLATING	CONTACT PLATING	JAM NUT & LOCK WASHER PLATING
73251-4966	1	1	.110 / 2.79	NICKEL (100μ-in MIN)	GOLD (30μ-in MIN) OVER NICKEL(100μ-in MIN)	NICKEL (100μ-in MIN)
73251-4965	2	1	.110 / 2.79	GOLD (5μ-in MIN) OVER NICKEL (50μ-in MIN)	GOLD (30μ-in MIN) OVER NICKEL(100μ-in MIN)	GOLD (1μ-in MIN) OVER NICKEL (50μ-in MIN)
73251-4964	1	1	.075 / 1.91	GOLD (5μ-in MIN) OVER NICKEL (50μ-in MIN)	GOLD (30μ-in MIN) OVER NICKEL(100μ-in MIN)	GOLD (1μ-in MIN) OVER NICKEL (50μ-in MIN)
73251-4963	NOT INCLUDED	NOT INCLUDED	.110 / 2.79	GOLD (5μ-in MIN) OVER NICKEL (50μ-in MIN)	GOLD (30μ-in MIN) OVER NICKEL(100μ-in MIN)	-----
73251-4962	1	NOT INCLUDED	.110 / 2.79	NICKEL (100μ-in MIN)	GOLD (30μ-in MIN) OVER NICKEL(100μ-in MIN)	NICKEL (100μ-in MIN)
73251-4961	2	1	.155 / 3.94	GOLD (1μ-in MIN) OVER NICKEL (50μ-in MIN)	GOLD (1μ-in MIN) OVER NICKEL (50μ-in MIN)	GOLD (1μ-in MIN) OVER NICKEL (50μ-in MIN)
73251-4960	1	1	.075 / 1.91	GOLD (1μ-in MIN) OVER NICKEL (50μ-in MIN)	GOLD (1μ-in MIN) OVER NICKEL (50μ-in MIN)	GOLD (1μ-in MIN) OVER NICKEL (50μ-in MIN)
	INCLUDED	INCLUDED	DIM A			

PS-89675-3460	PRODUCT SPECIFICATION
MIL-STD-348A, FIG. 310.2	INTERFACE
SPECIFICATION	DESCRIPTION

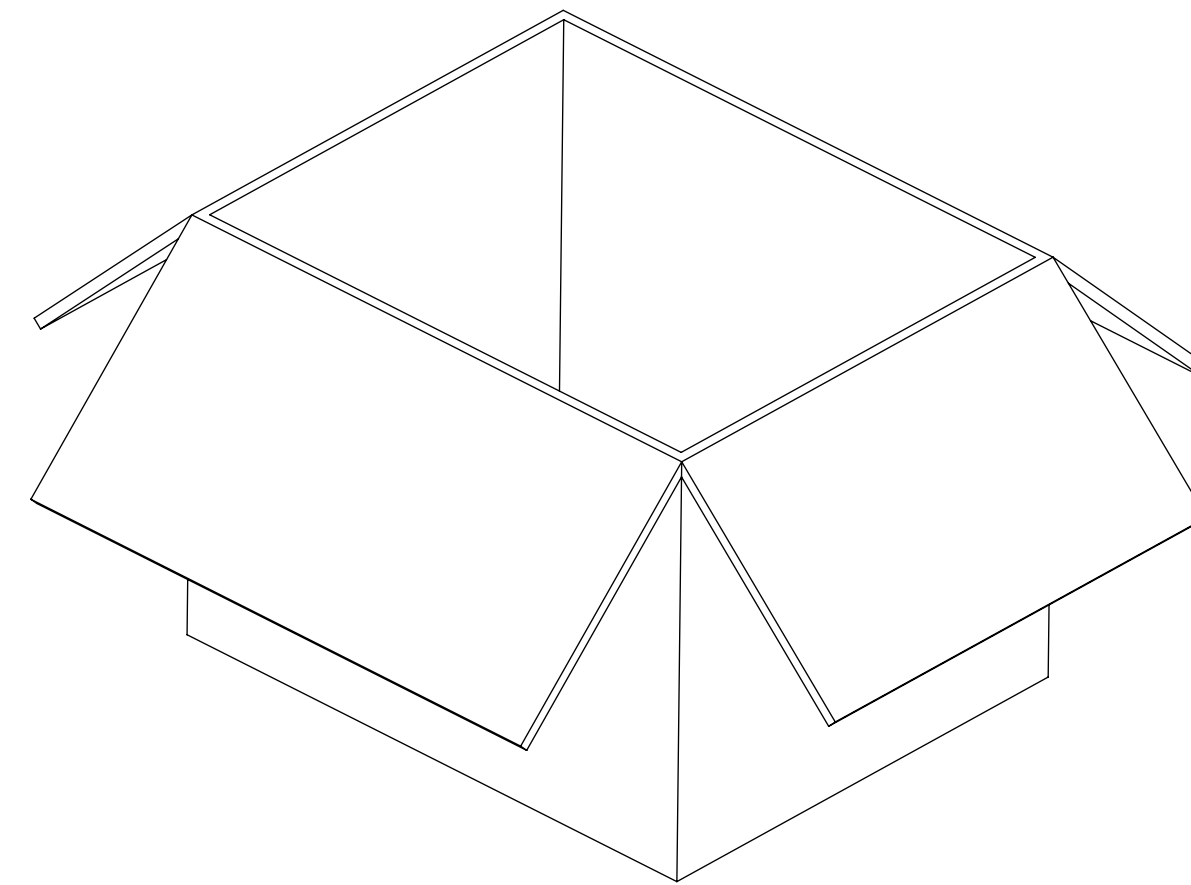
FUNCTIONAL SYMBOLS		THIS DRAWING CONTAINS INFORMATION THAT IS PROPRIETARY TO MOLEX ELECTRONIC TECHNOLOGIES, LLC AND SHOULD NOT BE USED WITHOUT WRITTEN PERMISSION	
FA = 0	INCH/MM	SCALE	CURRENT REV DESC:
EA = 0	GENERAL TOLERANCES (UNLESS SPECIFIED)	NTS	EWR-14242-J ADDED LABEL FORMAT FOR 73251-4966
EP = 0	ANGULAR TOL ± °		EC NO: 659677
	4 PLACES ±		DRWN: JSU18 2021/03/24
	3 PLACES ±		CHK'D: YCHENG 2021/04/06
	2 PLACES ±		APPR: YCHENG 2021/04/06
	1 PLACE ±		INITIAL REVISION:
	0 PLACES ±		DRWN: JLEE02 2014/03/28
			APPR: WSPINK 2014/03/28
DIVISIONAL SYMBOLS		THIRD ANGLE PROJECTION	DRAWING SERIES
DRAFT WHERE APPLICABLE MUST REMAIN WITHIN DIMENSIONS			C-SIZE 73251
DOCUMENT STATUS		P1	RELEASE DATE
2021/04/06 01:47:34			
DOCUMENT NUMBER		DOC TYPE DOC PART REVISION	
SD-73251-496		PSD	000 B9
MATERIAL NUMBER		CUSTOMER	
SEE TABLE		GENERAL MARKET	
SHEET NUMBER		1 OF 4	



PART NO : 73251-4960
 PART NO: 73251-4962
 PART NO: 73251-4963
 PART NO: 73251-4964
 PART NO: 73251-4965



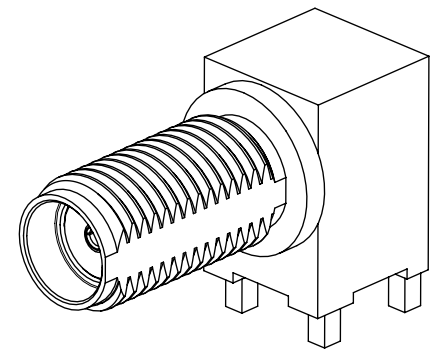
50 SET PER TRAY
 P/N: 89707-0185



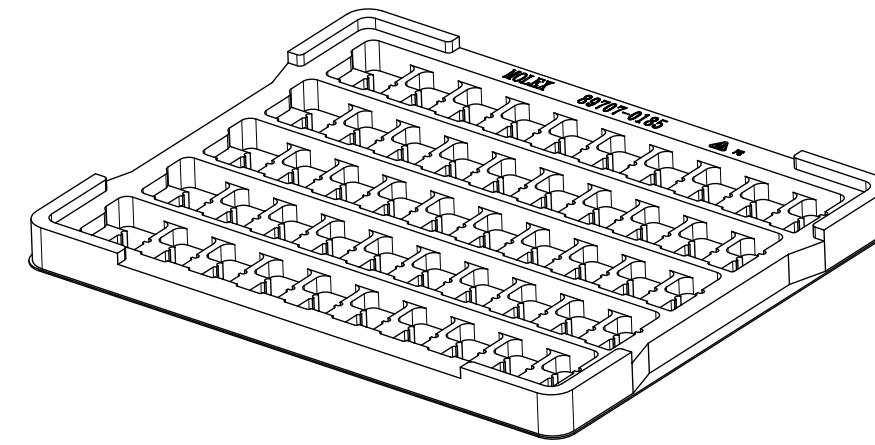
1400 SET PER OUTER CARTON BOX
 P/N: 89499-9027

FUNCTIONAL SYMBOLS	THIS DRAWING CONTAINS INFORMATION THAT IS PROPRIETARY TO MOLEX ELECTRONIC TECHNOLOGIES, LLC AND SHOULD NOT BE USED WITHOUT WRITTEN PERMISSION									
	DIMENSION UNITS	SCALE	CURRENT REV DESC:							molex
$\frac{F}{A} = 0$	INCH/MM	NTS	EWR-14242-J ADDED LABEL FORMAT FOR 73251-4966							
DIVISIONAL SYMBOLS	GENERAL TOLERANCES (UNLESS SPECIFIED)									
	$\frac{E}{C} = 0$	ANGULAR TOL ± °								
DIVISIONAL SYMBOLS	$\frac{E}{P} = 0$	EC NO: 659677								
	4 PLACES ±	DRWN: JSU18							2021/03/24	
	3 PLACES ±	CHK'D: YCHENG							2021/04/06	
	2 PLACES ±	APPR: YCHENG							2021/04/06	
DIVISIONAL SYMBOLS	1 PLACE ±	INITIAL REVISION:							DOCUMENT NUMBER	
	0 PLACES ±	DRWN: JLEE02							SD-73251-496	
		APPR: WSPINK							PSD 000 B9	
DRAFT WHERE APPLICABLE MUST REMAIN WITHIN DIMENSIONS		THIRD ANGLE PROJECTION	DRAWING	SERIES	MATERIAL NUMBER	CUSTOMER	SHEET NUMBER			
			C-SIZE	73251		GENERAL MARKET	2 OF 4			

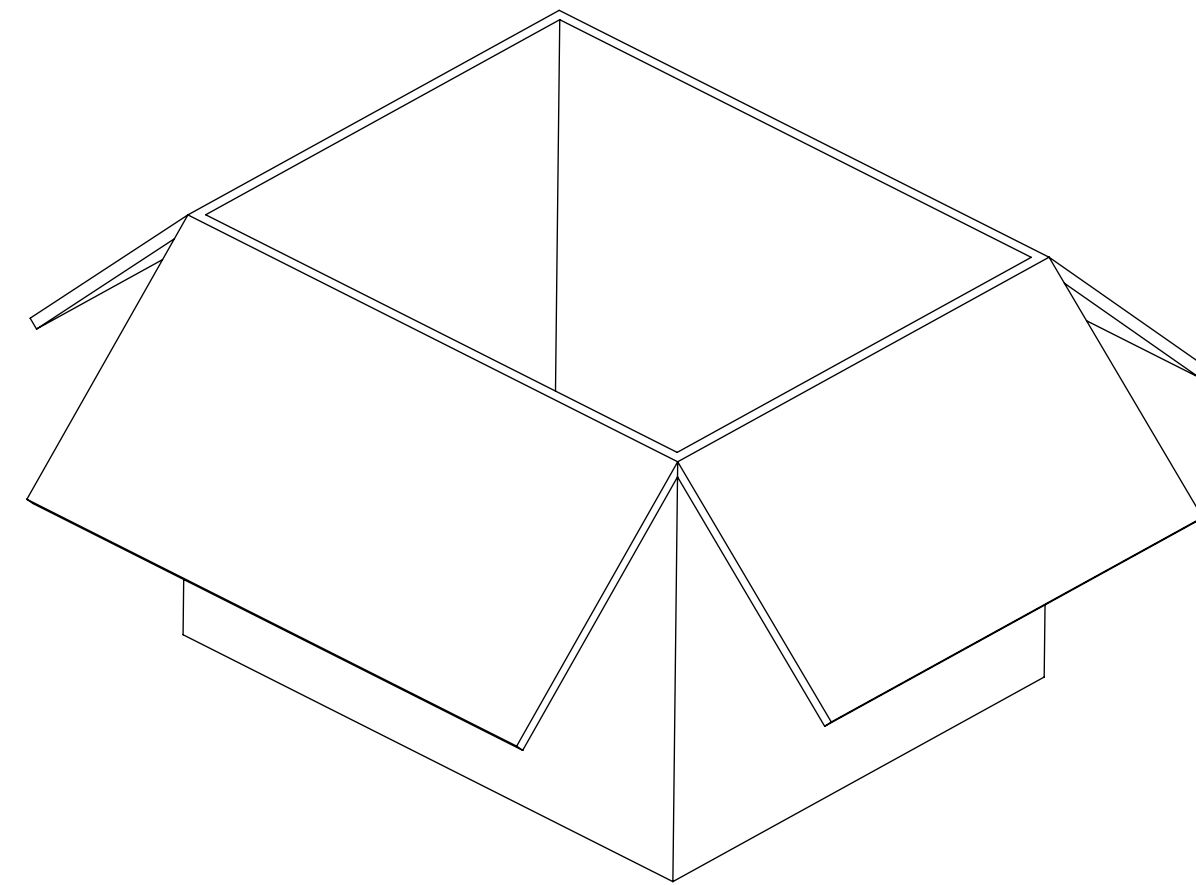
DOCUMENT STATUS	P1	RELEASE DATE	2021/04/06	01:47:34
-----------------	----	--------------	------------	----------




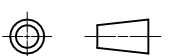
PART NO : 73251-4961



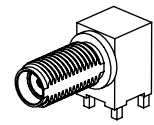
50 SET PER TRAY
P/N: 89707-0185



1200 SET PER OUTER CARTON BOX
P/N: 89499-9027

FUNCTIONAL SYMBOLS	THIS DRAWING CONTAINS INFORMATION THAT IS PROPRIETARY TO MOLEX ELECTRONIC TECHNOLOGIES, LLC AND SHOULD NOT BE USED WITHOUT WRITTEN PERMISSION										
	DIMENSION UNITS	SCALE	CURRENT REV DESC:								
$\frac{F}{A} = 0$	INCH/MM	NTS	EWR-14242-J ADDED LABEL FORMAT FOR 73251-4966								
$\frac{E}{C} = 0$	GENERAL TOLERANCES (UNLESS SPECIFIED)		EC NO: 659677							SMA JACK RA	
	ANGULAR TOL	± °	DRWN: JSU18 2021/03/24							BLKHD RM PCB TH SMA-J/RA/PCB, EWR-2144	
$\frac{E}{P} = 0$	4 PLACES	±	CHK'D: YCHENG 2021/04/06							PRODUCT CUSTOMER DRAWING	
	3 PLACES	±	APPR: YCHENG 2021/04/06							DOCUMENT NUMBER	
DIVISIONAL SYMBOLS	2 PLACES	±	INITIAL REVISION:							SD-73251-496	
	1 PLACE	±	DRWN: JLEE02 2014/03/28							DOC TYPE	
0 PLACES	±	APPR: WSPINK 2014/03/28							PSD		
DRAFT WHERE APPLICABLE MUST REMAIN WITHIN DIMENSIONS	THIRD ANGLE PROJECTION		DRAWING		SERIES		MATERIAL NUMBER		CUSTOMER		
			C-SIZE		73251		GENERAL MARKET		SHEET NUMBER		
								000		B9	
										3 OF 4	

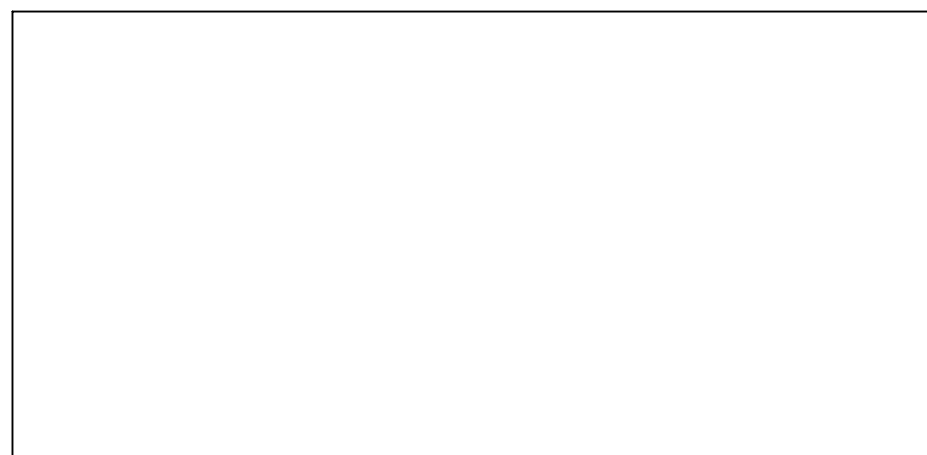
DOCUMENT STATUS	P1	RELEASE DATE	2021/04/06	01:47:34
-----------------	----	--------------	------------	----------



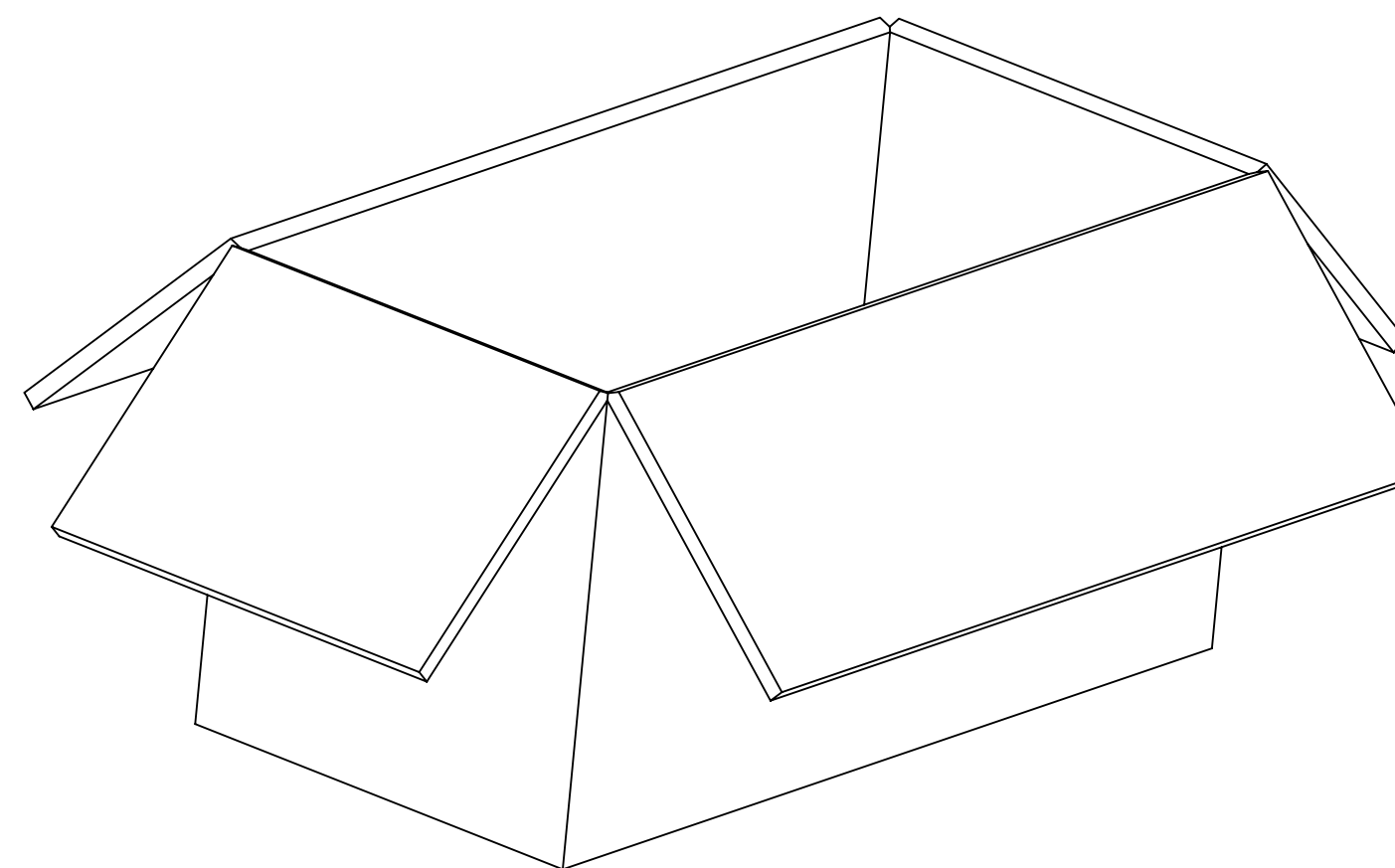
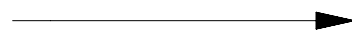
FOR 73251-4966 ONLY



1 SET PER POLYBAG
P/N: 89707-0317



50 SET PER POLYBAG
P/N: 89707-0176



500 SET PER OUTER CARTON BOX
P/N: 96707-0002

LABEL FORMAT FOR
73251-4966

PART NUMBER : 73251-2200
ORDER NUMBER : 73251-4966
MOLEX
DATE : YYWW

FUNCTIONAL SYMBOLS	THIS DRAWING CONTAINS INFORMATION THAT IS PROPRIETARY TO MOLEX ELECTRONIC TECHNOLOGIES, LLC AND SHOULD NOT BE USED WITHOUT WRITTEN PERMISSION													
	DIMENSION UNITS	SCALE	CURRENT REV DESC:								molex			
$\frac{F}{A} = 0$	INCH/MM	NTS	EWR-14242-J ADDED LABEL FORMAT FOR 73251-4966											
DIVISIONAL SYMBOLS	GENERAL TOLERANCES (UNLESS SPECIFIED)													
	$\frac{F}{C} = 0$	ANGULAR TOL		±	°	EC NO: 659677					SMA JACK RA			
DIVISIONAL SYMBOLS	$\frac{F}{P} = 0$	4 PLACES	±	DRWN: JSU18 2021/03/24								BLKHD RM PCB TH SMA-J/RA/PCB, EWR-2144		
		3 PLACES	±	CHK'D: YCHENG 2021/04/06								PRODUCT CUSTOMER DRAWING		
		2 PLACES	±	APPR: YCHENG 2021/04/06								DOCUMENT NUMBER		
		1 PLACE	±	INITIAL REVISION:								DOC TYPE		
	0 PLACES	±	DRWN: JLEE02 2014/03/28								DOC PART			
	DRAFT WHERE APPLICABLE MUST REMAIN WITHIN DIMENSIONS		THIRD ANGLE PROJECTION		DRAWING		SERIES		MATERIAL NUMBER		CUSTOMER		SHEET NUMBER	
					C-SIZE	73251	SD-73251-496		GENERAL MARKET		PSD 000		B9	