

4

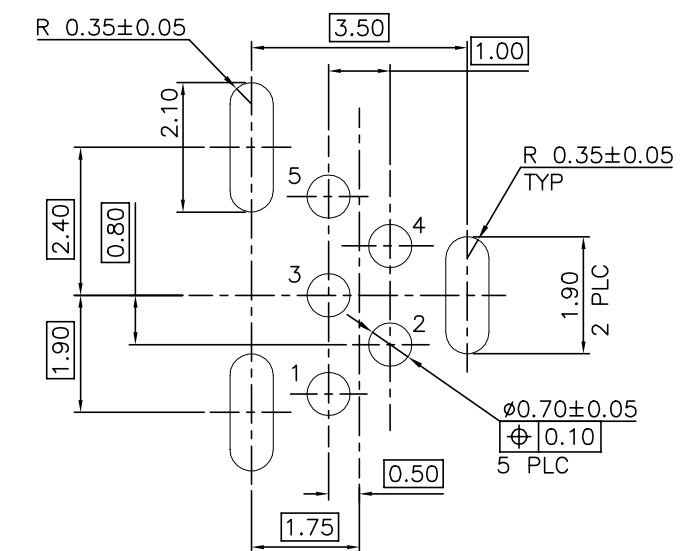
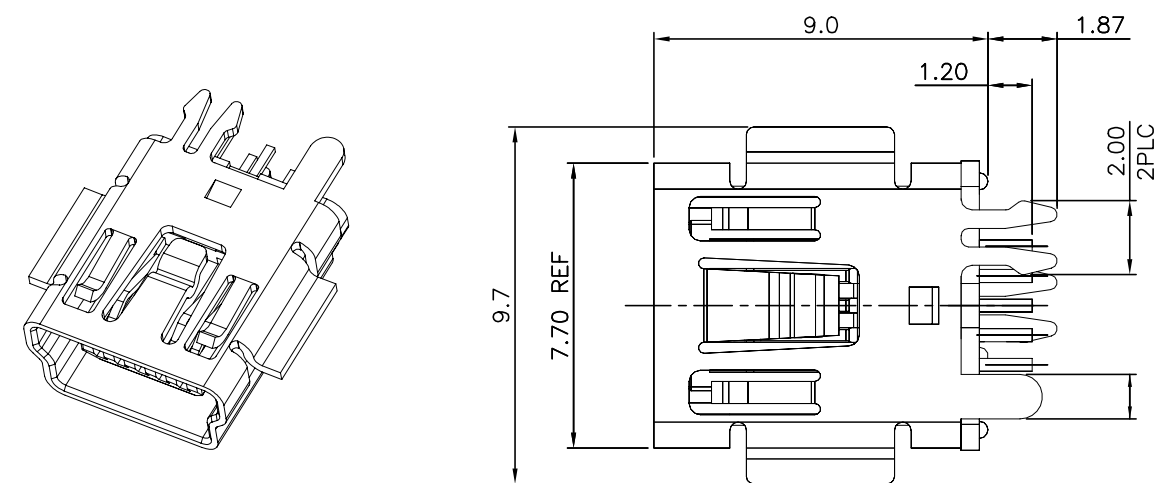
3

2

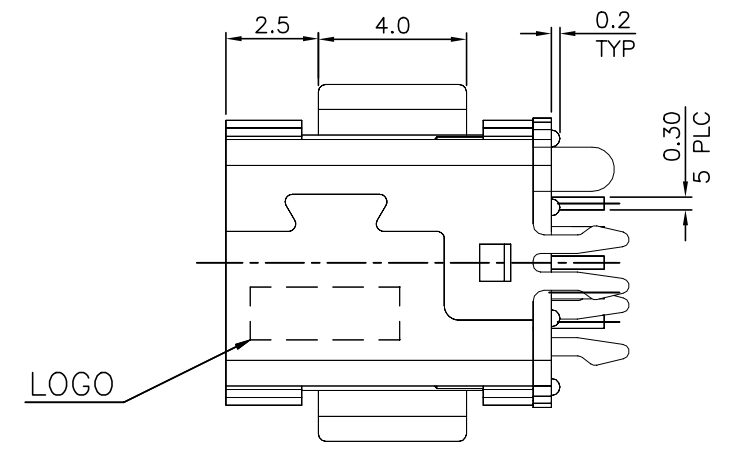
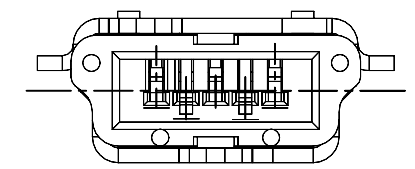
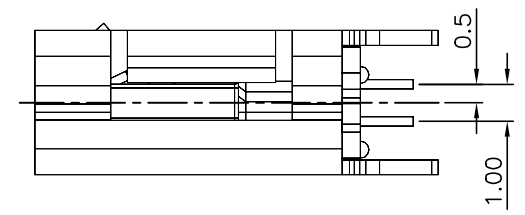
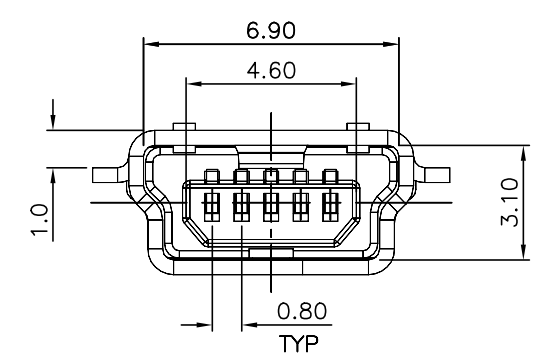
1

THIS DRAWING IS UNPUBLISHED. RELEASED FOR PUBLICATION
 © COPYRIGHT 2011 BY TYCO ELECTRONICS CORPORATION. ALL RIGHTS RESERVED.

LOC	DIST	REVISIONS			
P	LTR	DESCRIPTION	DATE	DWN	APVD
DW		C	REVISED AS PER ECN-22-176158	23JUL2022	HS SZ



RECOMMENDED PCB LAYOUT (TOP VIEW)
 (DIMENSION TOLERANCE: 1 PLC: ±0.1 2PLC: ±0.05)



- NOTE:
- MATERIAL:**
 HOUSING: THERMOPLASTIC, UL 94V-0, COLOR: BLACK.
 CONTACT: PHOSPHOR BRONZE, THICKNESS=0.25mm.
 SHELL: PHOSPHOR BRONZE, THICKNESS=0.40mm.
 - FINISH:**
 CONTACT: GOLD FLASH OVER
 30u" MIN. PALLADIUM-NICKEL PLATED OR ALTERNATIVE [30u"] MIN.
 GOLD PLATED ON CONTACT AREA,
 100u" MIN. MATTE-TIN ON SOLDER TAILS,
 50u" MIN. NICKEL UNDERPLATED ALL OVER.
 SHELL: 100u" MIN. BRIGHT TIN OVER 50u" MIN. Cu UNDERPLATED.
 - RECOMMENDED PCB THICKNESS : 0.8mm.**
 - NET WEIGHT : 0.798 gram.**
 - RoHS 2002/95/EC COMPLIANT**
 - WAVE SOLDER CAPABLE TO 240°C PER TE SPEC 109-202, CONDITION A.**

1775060-1
 PART NUMBER

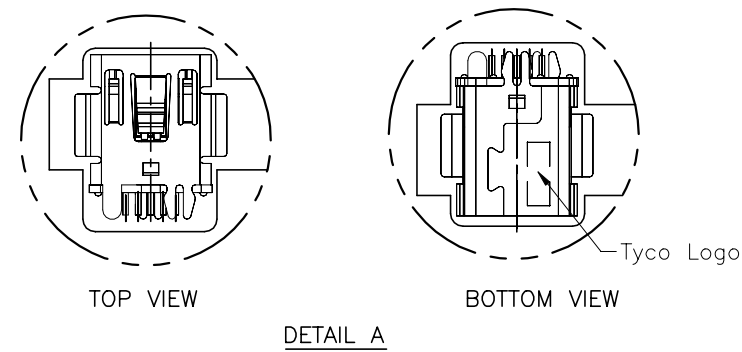
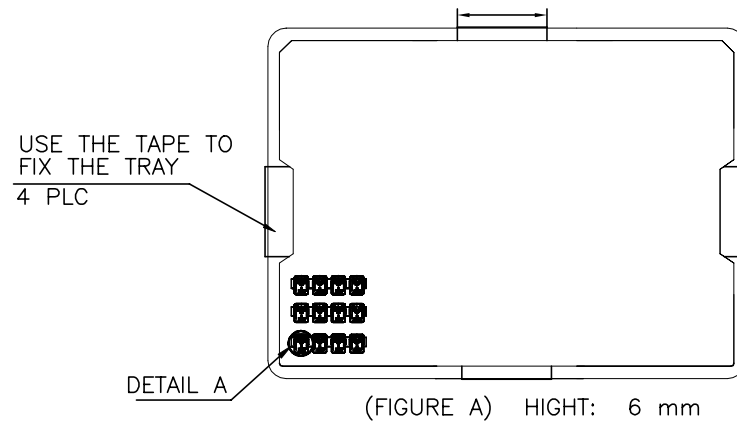
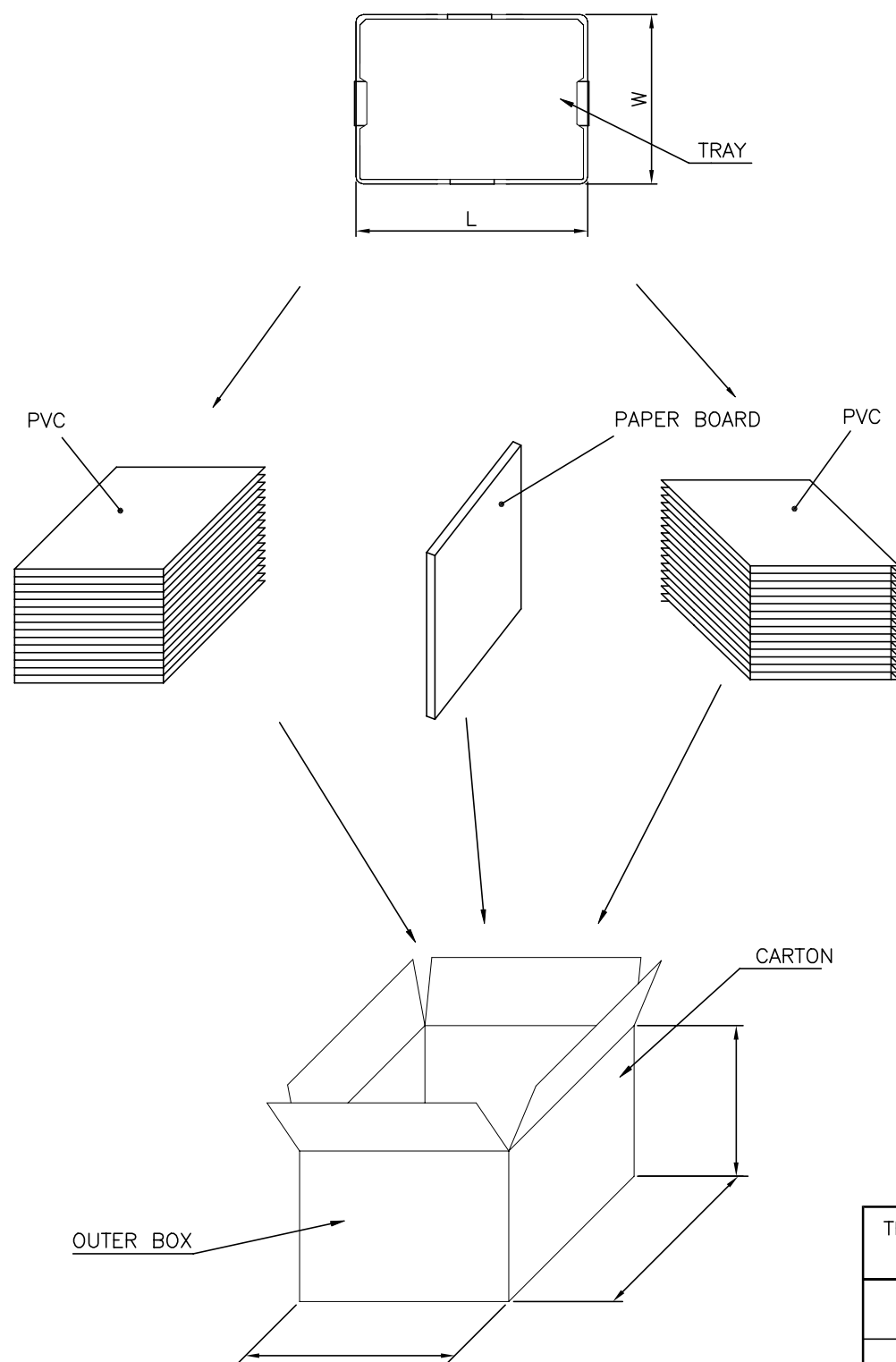
THIS DRAWING IS A CONTROLLED DOCUMENT.		DWN	O. HU	11MAR2005	 TE Connectivity	NAME			
DIMENSIONS: mm		CHK	S. HOU	11MAR2005					
TOLERANCES UNLESS OTHERWISE SPECIFIED:		APVD	W.J. KE	11MAR2005			PRODUCT SPEC 108-57509 APPLICATION SPEC		
0 PLC ± 0.50 1 PLC ± 0.38 2 PLC ± 0.25 3 PLC ± 0.10 4 PLC ± - ANGLES ± 3°		WEIGHT		-					
MATERIAL		FINISH		SEE NOTE		SIZE A3	CAGE CODE 00779	DRAWING NO 1775060	RESTRICTED TO -
SEE NOTE		SEE NOTE		CUSTOMER DRAWING		SCALE	SHEET	1 OF 2	REV C

THIS DRAWING IS UNPUBLISHED.

RELEASED FOR PUBLICATION

© COPYRIGHT 2011 BY TYCO ELECTRONICS CORPORATION. ALL RIGHTS RESERVED.

LOC		DIST		REVISIONS				
P	LTR	DESCRIPTION			DATE	DWN	APVD	
		SEE SHEET 1.						



- NOTE:
- MATERIAL:
TRAY : PVC.
SHIPPING CARTON : CORRUGATED FIBERBOARD.
 - DIMENSION:
TRAY : L=230, W=160, H=6mm.
SHIPPING CARTON : L=340, W=245, H=230mm.
 - QUANTITY:
PRIMARY PACKING : 150 PCS/TRAY.
SECONDARY PACKING : 76 TRAY/CARTON(11,400PCS).
 - WEIGHT:
NET WEIGHT : 9.1kg.
GROSS WEIGHT : 12.6kg.

THIS DRAWING IS A CONTROLLED DOCUMENT.		DWN	TE Connectivity		
DIMENSIONS: mm		CHK	NAME		
TOLERANCES UNLESS OTHERWISE SPECIFIED:		APVD	MINI USB CONN., RCPT, V/T, DIP, B TYPE		
0 PLC ± -		PRODUCT SPEC	SIZE	CAGE CODE	DRAWING NO
1 PLC ± -		APPLICATION SPEC	A3	00779	C=1775060
2 PLC ± -		WEIGHT	RESTRICTED TO		
3 PLC ± -		CUSTOMER DRAWING	-		
4 PLC ± -		SCALE	-		
ANGLES ± -		SHEET	2 OF 2		
MATERIAL		REV	C		
FINISH					