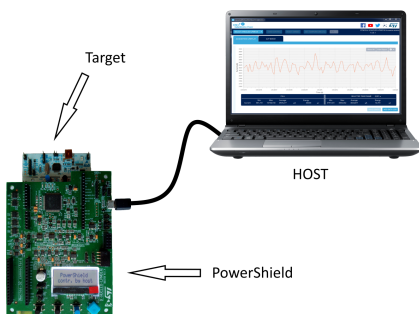


Software tool for power and ultra-low-power measurements



Features

- Reception of power measurements done by the X-NUCLEO-LPM01A expansion board or by the Energy Meter of the STM32L562E-DK Discovery kit, at up to 100 kHz
- Dynamic measurement:
 - From 100 nA up to 50 mA with ~2% accuracy for the X-NUCLEO-LPM01A expansion board
 - From 300 nA up to 150 mA with ~2% accuracy for the Energy Meter of the STM32L562E-DK Discovery kit
- Execution of ULPBench™ tests and estimation of ULPMark™ score
- Data subsampling on reception to allow graphical rendering in real-time, while not losing any data point
- Intuitive navigation into data using mouse-based zoom and move functions
- Control of all expansion board or Energy Meter functions from the graphical interface, such as acquisition frequency, supply voltage, triggers, and others
- Computing of consumed energy
- Capability to save acquired data and to load previously saved data
- Multi-OS support: Windows®, Linux®, and macOS®

Description

STM32CubeMonitor-Power (STM32CubeMonPwr) enables developers to swiftly analyze the low-power performance of target boards. This software tool acquires power measurements through the X-NUCLEO-LPM01A expansion board or the Energy Meter of the STM32L562E-DK Discovery kit specialized intermediate board, and displays these measurements using an intuitive graphical interface. Dynamic measurement of current covers a range from 100 nA to 50 mA for the X-NUCLEO-LPM01A expansion board, and from 300 nA to 150 mA for the Energy Meter of the STM32L562E-DK Discovery kit, while STM32CubeMonitor-Power allows updating of acquisition parameters, and data rendering in real-time. Execution of EEMBC® ULPBench™ tests is also supported to directly provide an accurate ULPMark™ score.



STM32
CubeMonitor-Power



Product status link

[STM32CubeMonPwr](#)

1 Ordering information

STM32CubeMonPwr is available for free download from the www.st.com website.

2 License

STM32CubeMonPwr is delivered under the *Mix Ultimate Liberty+OSS+3rd-party V1* software license agreement (SLA0048).

It supports STM32 32-bit microcontrollers based on the Arm[®] Cortex[®]-M processor. For more details about the license agreement of each component, refer to the release note (RN0108).

Note: Arm is a registered trademark of Arm Limited (or its subsidiaries) in the US and/or elsewhere.



3 Application pictures

Figure 1. STM32CubeMonitor-Power acquisition and replay screen

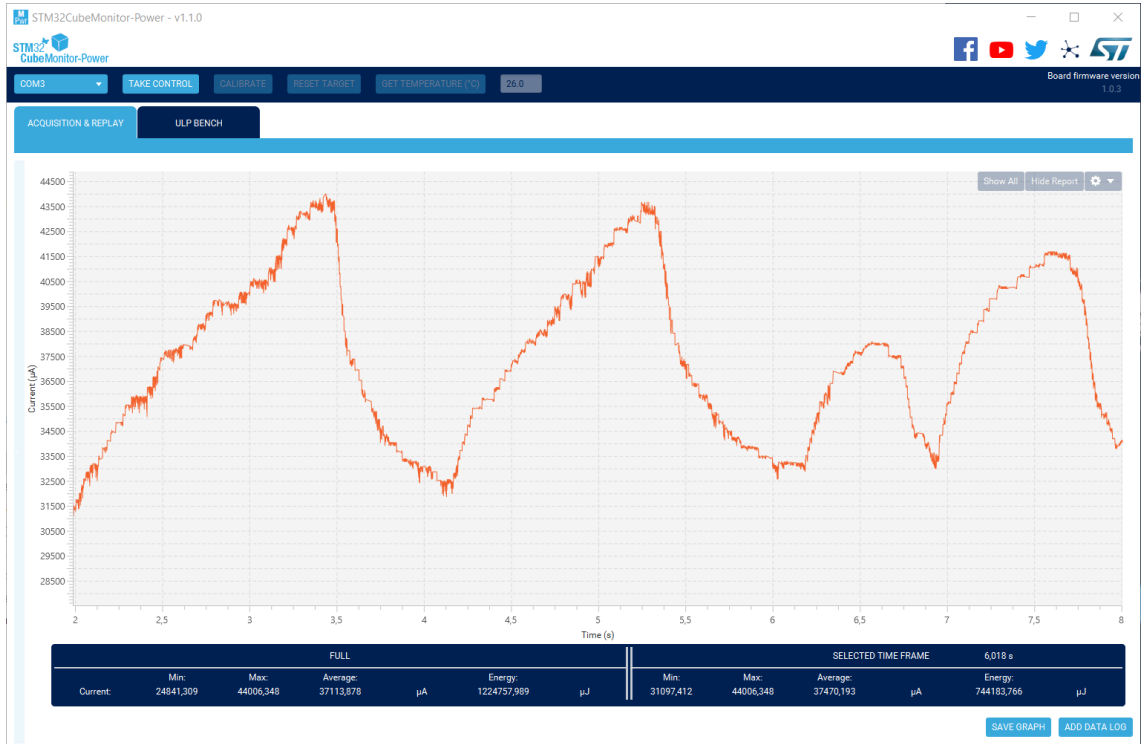
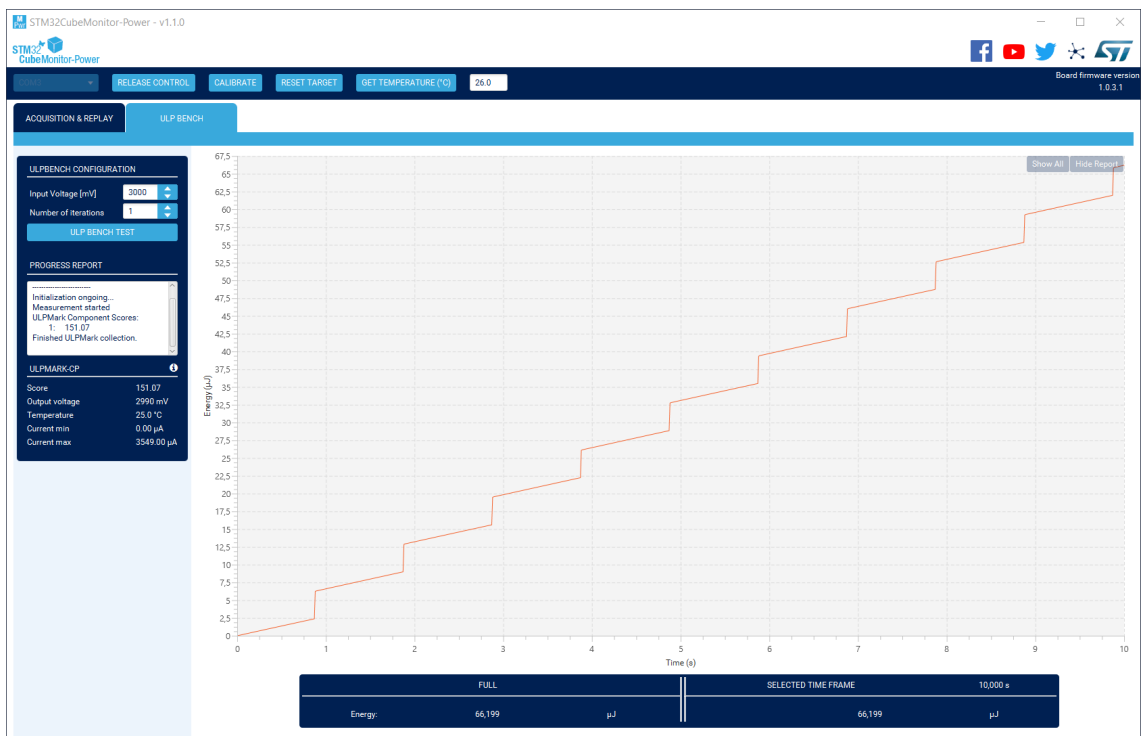


Figure 2. STM32CubeMonitor-Power ULPBench™ screen



Revision history

Table 1. Document revision history

Date	Version	Changes
20-Sep-2017	1	Initial release.
19-Feb-2018	2	" <i>Ordering information</i> " and " <i>License</i> " new sections. Root part number of the STM32CubeMonitor-Power software tool changed to STM32CubeMonPwr.
12-Jun-2018	3	Updated " <i>License</i> " chapter.
13-Sep-2018	4	Updated pictures on the cover page and in Application pictures .
26-Sep-2019	5	Added the support to the Energy Meter of the STM32L562E-DK Discovery kit.

IMPORTANT NOTICE – PLEASE READ CAREFULLY

STMicroelectronics NV and its subsidiaries (“ST”) reserve the right to make changes, corrections, enhancements, modifications, and improvements to ST products and/or to this document at any time without notice. Purchasers should obtain the latest relevant information on ST products before placing orders. ST products are sold pursuant to ST’s terms and conditions of sale in place at the time of order acknowledgement.

Purchasers are solely responsible for the choice, selection, and use of ST products and ST assumes no liability for application assistance or the design of Purchasers’ products.

No license, express or implied, to any intellectual property right is granted by ST herein.

Resale of ST products with provisions different from the information set forth herein shall void any warranty granted by ST for such product.

ST and the ST logo are trademarks of ST. For additional information about ST trademarks, please refer to www.st.com/trademarks. All other product or service names are the property of their respective owners.

Information in this document supersedes and replaces information previously supplied in any prior versions of this document.

© 2019 STMicroelectronics – All rights reserved