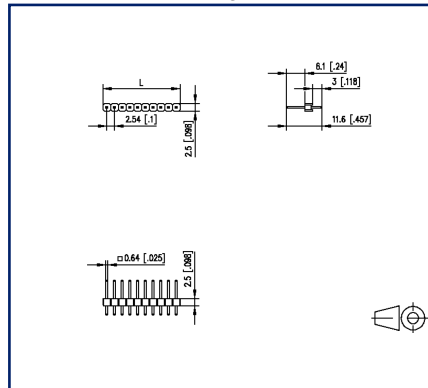
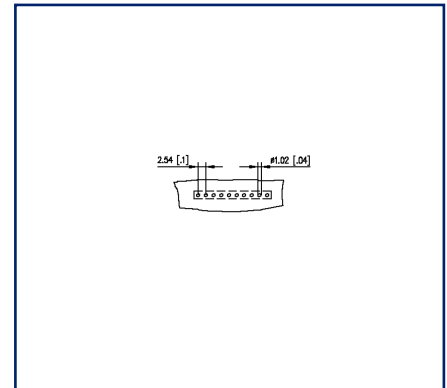


Illustrations

Dimensional drawing



Drill pattern



See enlarged drawings at the end of document

Product specification

- pin header, THR solderable
- centerline 2.54 mm, direction of connection vertical 0°
- color black
- Tape & Reel packaging possible
- single row

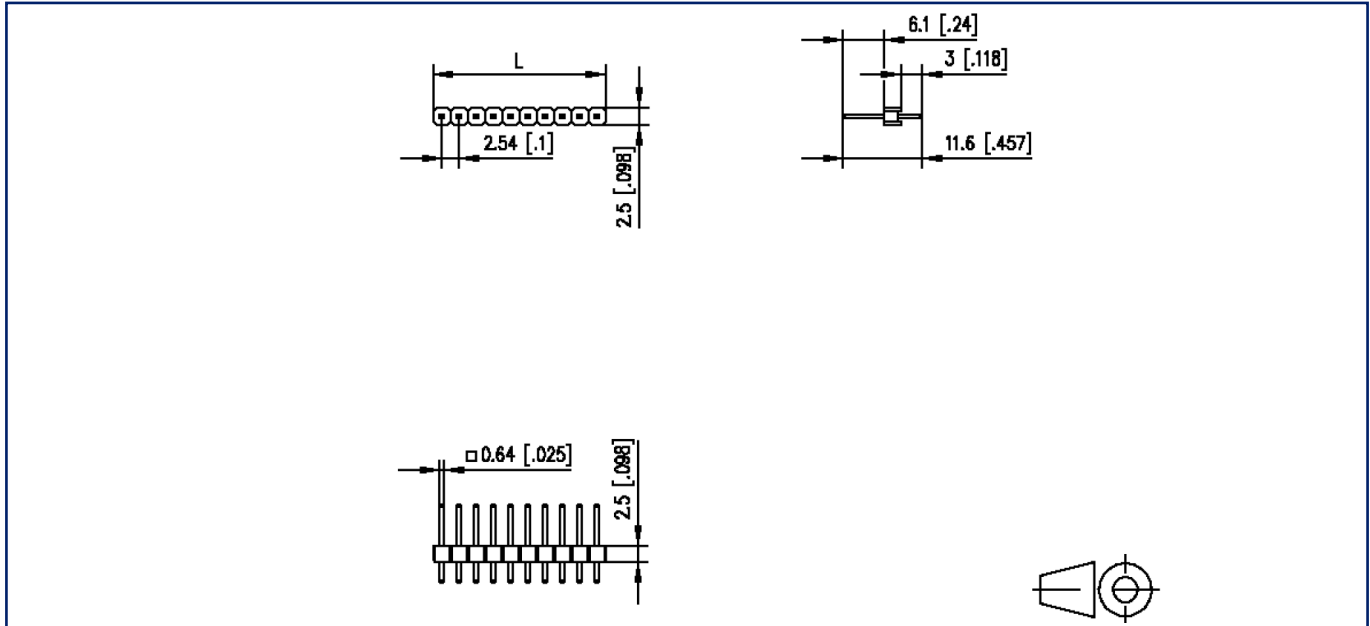
Technical Data

General Data	
Solder pin length	3 mm
min. number of poles	2
max. number of poles	40
Protection category	IP00
Rated current	3 A
Material	
insulating material	PE-HT
contact material	CuZn
contact pin material	CuZnPb
contact pin surface	Ni + Au Flash
Glow-Wire Flammability GWFI	-
Glow-Wire Flammability GWIT	-
REACH	compliant
Climatic Data	
upper limit temperature	105 °C
lower limit temperature	-40 °C
general	
Tolerance	ISO 2768 -mH
Solderability	Acc. to IPC/JEDEC J-STD-020D-MSL 1



Illustrations

Dimensional drawing



$L = (\text{pole size} - 1) \times \text{centerline} + 2.54 \text{ mm [0.1]}$



Illustrations

Drill pattern

