

NL17SG373

Low-Power D-Type Transparent Latch with 3-State Output

The NL17SG373 MiniGate™ is an advanced high-speed CMOS D-Type Transparent Latch with 3-State Output in ultra-small footprint.

The NL17SG373 input structures provide protection when voltages up to 5.5 V are applied, regardless of the supply voltage.

This device is fully specified for partial power-down applications using I_{OFF}. The I_{OFF} circuitry disables the output, preventing the damaging backflow current through the device when it is powered down.

Features

- Wide Operating V_{CC} Range: 0.9 V to 3.6 V
- High Speed: t_{PD} = 2.4 ns (Typ) @ V_{CC} = 3.0 V, C_L = 15 pF
- Low Power Dissipation: I_{CC} = 0.5 μA (Max) at T_A = 25°C
- 5.5 V Overvoltage Tolerant (OVT) Input Pins
- Ultra-Small Packages
- These Devices are Pb-Free and are RoHS Compliant

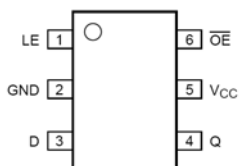


Figure 1. SC88 (Top View)

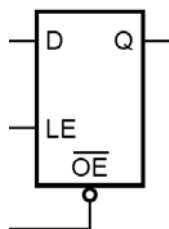


Figure 2. Logic Symbol



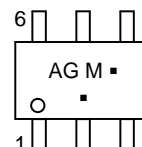
ON Semiconductor®

www.onsemi.com

MARKING DIAGRAMS



SC-88
DF SUFFIX
CASE 419B



AG = Device Code
M = Date Code*
■ = Pb-Free Package

(Note: Microdot may be in either location)

*Date Code orientation and/or position may vary depending upon manufacturing location.

PIN ASSIGNMENT

Pin	Function
1	LE
2	GND
3	D
4	Q
5	V _{CC}
6	\overline{OE}

ORDERING INFORMATION

See detailed ordering and shipping information in the package dimensions section on page 9 of this data sheet.

NL17SG373

FUNCTION TABLE

Input			Internal Latch	Output	Operating Mode
\overline{OE}	LE	D		Q	
L	H	L	L	L	Enable and Read Register
L	H	H	H	H	(Transparent Mode)
L	L	X	L	L	Latch and Read Register
L	L	X	H	H	
H	X	X	X	Z	Latch Register and Disable Output

MAXIMUM RATINGS

Symbol	Parameter	Value	Unit
V_{CC}	DC Supply Voltage	-0.5 to +5.5	V
V_{IN}	DC Input Voltage	-0.5 to +5.5	V
V_{OUT}	DC Output Voltage	-0.5 to $V_{CC} + 0.5$	V
I_{IK}	DC Input Diode Current $V_{IN} < GND$	-50	mA
I_{OK}	DC Output Diode Current $V_{OUT} < GND, V_{OUT} > V_{CC}$	± 50	mA
I_O	DC Output Source/Sink Current	± 20	mA
I_{CC}	DC Supply Current Per Supply Pin	± 50	mA
I_{GND}	DC Ground Current per Ground Pin	± 50	mA
T_{STG}	Storage Temperature Range	-65 to +150	$^{\circ}C$
T_L	Lead Temperature, 1 mm from Case for 10 Seconds	260	$^{\circ}C$
T_J	Junction Temperature Under Bias	150	$^{\circ}C$
MSL	Moisture Sensitivity	Level 1	
F_R	Flammability Rating Oxygen Index: 28 to 34	UL 94 V-0 @ 0.125 in	
V_{ESD}	ESD Withstand Voltage Human Body Mode (Note 2) Machine Model (Note 3)	> 3000 > 200	V
$I_{LATCHUP}$	Latchup Performance Above V_{CC} and Below GND at 125 $^{\circ}C$ (Note 4)	± 100	mA

Stresses exceeding those listed in the Maximum Ratings table may damage the device. If any of these limits are exceeded, device functionality should not be assumed, damage may occur and reliability may be affected.

1. Measured with minimum pad spacing on an FR4 board, using 10 mm-by-1 inch, 2 ounce copper trace no air flow.
2. Tested to EIA / JESD22-A114-A.
3. Tested to EIA / JESD22-A115-A.
4. Tested to EIA / JESD78.

RECOMMENDED OPERATING CONDITIONS

Symbol	Parameter	Min	Max	Unit
V_{CC}	Positive DC Supply Voltage	0.9	3.6	V
V_{IN}	Digital Input Voltage	0	3.6	V
V_{OUT}	Output Voltage Active Mode	0	V_{CC}	V
T_A	Operating Free-Air Temperature	-55	+125	$^{\circ}C$
$\Delta t / \Delta V$	Input Transition Rise or Fall Rate $V_{CC} = 3.3 V \pm 0.3 V$	0	10	nS/V

Functional operation above the stresses listed in the Recommended Operating Ranges is not implied. Extended exposure to stresses beyond the Recommended Operating Ranges limits may affect device reliability.

NL17SG373

DC ELECTRICAL CHARACTERISTICS

Symbol	Parameter	Conditions	V _{CC} (V)	T _A = 25°C			T _A = -55°C to +125°C		Unit
				Min	Typ	Max	Min	Max	
V _{IH}	High-Level Input Voltage		0.9	V _{CC}			V _{CC}		V
			1.1 to 1.3	0.7 x V _{CC}			0.7 x V _{CC}		
			1.4 to 1.6	0.65 x V _{CC}			0.65 x V _{CC}		
			1.65 to 1.95	0.65 x V _{CC}			0.65 x V _{CC}		
			2.3 to 2.7	1.7			1.7		
			3.0 to 3.6	2.0			2.0		
V _{IL}	Low-Level Input Voltage		0.9			GND		GND	V
			1.1 to 1.3			0.3 x V _{CC}		0.3 x V _{CC}	
			1.4 to 1.6			0.35 x V _{CC}		0.35 x V _{CC}	
			1.65 to 1.95			0.35 x V _{CC}		0.35 x V _{CC}	
			2.3 to 2.7			0.7		0.7	
			3.0 to 3.6			0.8		0.8	
V _{OH}	High-Level Output Voltage	V _{IN} = V _{IH} or V _{IL}	I _{OH} = -20 μA	0.9	0.75		0.75		V
			I _{OH} = -0.3 mA	1.1 to 1.3	0.75 x V _{CC}		0.75 x V _{CC}		
			I _{OH} = -1.7 mA	1.4 to 1.6	0.75 x V _{CC}		0.75 x V _{CC}		
			I _{OH} = -3.0 mA	1.65 to 1.95	V _{CC} - 0.45		V _{CC} - 0.45		
			I _{OH} = -4.0 mA	2.3 to 2.7	2.0		2.0		
			I _{OH} = -8.0 mA	3.0 to 3.6	2.48		2.48		
V _{OL}	Low-Level Output Voltage	V _{IN} = V _{IH} or V _{IL}	I _{OL} = 20 μA	0.9		0.1		0.1	V
			I _{OL} = 0.3 mA	1.1 to 1.3		0.25 x V _{CC}		0.25 x V _{CC}	
			I _{OL} = 1.7 mA	1.4 to 1.6		0.25 x V _{CC}		0.25 x V _{CC}	
			I _{OL} = 3.0 mA	1.65 to 1.95		0.45		0.45	
			I _{OL} = 4.0 mA	2.3 to 2.7		0.4		0.4	
			I _{OL} = 8.0 mA	3.0 to 3.6		0.4		0.4	
I _{IN}	Input Leakage Current	0 ≤ V _{IN} ≤ 3.6 V	0 to 3.6			±0.1		±0.5	μA
I _{CC}	Quiescent Supply Current	V _{IN} = V _{CC} or GND	3.6			0.5		10	μA
I _{OZ}	3-State Output Leakage Current	V _{IN} = V _{IH} or V _{IL} ; V _{OUT} = 0 to 3.6 V	0.9 to 3.6			0.1		1	μA

Product parametric performance is indicated in the Electrical Characteristics for the listed test conditions, unless otherwise noted. Product performance may not be indicated by the Electrical Characteristics if operated under different conditions.

NL17SG373

AC ELECTRICAL CHARACTERISTICS (Input $t_r = t_f = 3.0$ ns)

Symbol	Parameter	Test Condition	V_{CC} (V)	$T_A = 25^\circ\text{C}$			$T_A = -55^\circ\text{C to } +125^\circ\text{C}$		Unit
				Min	Typ	Max	Min	Max	
t_{PLH} , t_{PHL}	Propagation Delay, D to Q	$C_L = 10$ pF, $R_L = 1$ M Ω	0.9	–	15.3	–	–	–	ns
			1.1 to 1.3	–	6.3	12.3	1.0	14.4	
			1.4 to 1.6	–	4.4	8.1	1.0	9.4	
			1.65 to 1.95	–	3.6	6.2	0.5	6.7	
			2.3 to 2.7	–	2.6	3.9	0.5	4.4	
			3.0 to 3.6	–	2.1	3.1	0.5	3.7	
		$C_L = 15$ pF, $R_L = 1$ M Ω	0.9	–	17.7	–	–	–	ns
			1.1 to 1.3	–	7.1	13.6	1.0	15.6	
			1.4 to 1.6	–	5.0	9.2	1.0	10.4	
			1.65 to 1.95	–	4.1	6.9	1.0	7.1	
			2.3 to 2.7	–	2.9	4.4	0.5	5.0	
			3.0 to 3.6	–	2.4	3.4	0.5	3.9	
		$C_L = 30$ pF, $R_L = 1$ M Ω	0.9	–	29	–	–	–	ns
			1.1 to 1.3	–	9.3	17.3	1.0	21.2	
			1.4 to 1.6	–	6.4	11.6	1.0	12.6	
			1.65 to 1.95	–	5.3	9.1	1.0	9.6	
			2.3 to 2.7	–	4	5.7	1.0	6.1	
			3.0 to 3.6	–	3.3	4.4	1.0	4.8	
t_{PLH} , t_{PHL}	Propagation Delay, LE to Q	$C_L = 10$ pF, $R_L = 1$ M Ω	0.9	–	15.3	–	–	–	ns
			1.1 to 1.3	–	6.3	12.3	1.0	14.4	
			1.4 to 1.6	–	4.4	8.1	1.0	9.4	
			1.65 to 1.95	–	3.6	6.2	0.5	6.7	
			2.3 to 2.7	–	2.6	3.9	0.5	4.4	
			3.0 to 3.6	–	2.1	3.1	0.5	3.7	
		$C_L = 15$ pF, $R_L = 1$ M Ω	0.9	–	17.7	–	–	–	ns
			1.1 to 1.3	–	7.1	13.6	1.0	15.6	
			1.4 to 1.6	–	5.0	9.2	1.0	10.4	
			1.65 to 1.95	–	4.1	6.9	1.0	7.1	
			2.3 to 2.7	–	2.9	4.4	0.5	5.0	
			3.0 to 3.6	–	2.4	3.4	0.5	3.9	
		$C_L = 30$ pF, $R_L = 1$ M Ω	0.9	–	29	–	–	–	ns
			1.1 to 1.3	–	9.3	17.3	1.0	21.2	
			1.4 to 1.6	–	6.4	11.6	1.0	12.6	
			1.65 to 1.95	–	5.3	9.1	1.0	9.6	
			2.3 to 2.7	–	4	5.7	1.0	6.1	
			3.0 to 3.6	–	3.3	4.4	1.0	4.8	

NL17SG373

AC ELECTRICAL CHARACTERISTICS (Input $t_r = t_f = 3.0$ ns)

Symbol	Parameter	Test Condition	V_{CC} (V)	$T_A = 25^\circ\text{C}$			$T_A = -55^\circ\text{C to } +125^\circ\text{C}$		Unit
				Min	Typ	Max	Min	Max	
t_{pZH} , t_{pZL}	Output Enable Time, OE to Q	$C_L = 10$ pF, $R_L = 5$ k Ω	0.9	-	18.9	-	-	-	ns
			1.1 to 1.3	-	6.0	10.2	1	10.6	
			1.4 to 1.6	-	4.5	6.5	1	7.0	
			1.65 to 1.95	-	3.9	5.4	1	5.8	
			2.3 to 2.7	-	2.5	3.5	1	3.8	
			3.0 to 3.6	-	2.1	2.7	1	3	
		$C_L = 15$ pF, $R_L = 5$ k Ω	0.9	-	22	-	-	-	ns
			1.1 to 1.3	-	6.8	11.6	1	12.1	
			1.4 to 1.6	-	5.1	7.2	1	7.9	
			1.65 to 1.95	-	4.4	6.1	1	6.5	
			2.3 to 2.7	-	2.9	3.9	1	4.2	
			3.0 to 3.6	-	2.3	3	1	3.3	
		$C_L = 30$ pF, $R_L = 5$ k Ω	0.9	-	31.8	-	-	-	ns
			1.1 to 1.3	-	9.1	15.7	1	16.2	
			1.4 to 1.6	-	6.7	9.5	1	10.5	
			1.65 to 1.95	-	5.7	7.9	1	8.6	
			2.3 to 2.7	-	3.8	5	1	5.5	
			3.0 to 3.6	-	2.9	3.8	1	4.2	
t_{pHZ} , t_{pLZ}	Output Disable Time, OE to Q	$C_L = 10$ pF, $R_L = 5$ k Ω	0.9	-	11.3	-	-	-	ns
			1.1 to 1.3	-	5.3	8.3	1	8.4	
			1.4 to 1.6	-	4.1	5.8	1	6.1	
			1.65 to 1.95	-	4.2	5.7	1	5.9	
			2.3 to 2.7	-	3.0	4	1	4.2	
			3.0 to 3.6	-	3.4	4.7	1	5	
		$C_L = 15$ pF, $R_L = 5$ k Ω	0.9	-	11	-	-	-	ns
			1.1 to 1.3	-	5.8	8.2	1	11	
			1.4 to 1.6	-	3.9	5.9	1	8	
			1.65 to 1.95	-	4.5	6.6	1	7.4	
			2.3 to 2.7	-	3.2	4.3	1	5.1	
			3.0 to 3.6	-	4.8	6.2	1	6.7	
		$C_L = 30$ pF, $R_L = 5$ k Ω	0.9	-	17.7	-	-	-	ns
			1.1 to 1.3	-	9.9	15.7	1	16	
			1.4 to 1.6	-	7.7	10.8	1	11.6	
			1.65 to 1.95	-	6	12.9	1	12.9	
			2.3 to 2.7	-	5	9.1	1	9.5	
			3.0 to 3.6	-	4	12.5	1	13	

NL17SG373

AC ELECTRICAL CHARACTERISTICS (Input $t_r = t_f = 3.0$ ns)

Symbol	Parameter	Test Condition	V _{CC} (V)	T _A = 25 °C			T _A = -55°C to +125°C		Unit
				Min	Typ	Max	Min	Max	
C _{IN}	Input Capacitance		0 to 3.6		1.5	-	-	-	pF
C _O	Output Capacitance	V _O = GND	0		3	-	-	-	pF
C _{PD}	Power dissipation Capacitance (Note 5)	f = 10 MHz; V _I = GND to V _{CC}	0.9	-	1.6	-	-	-	pF
			1.1 to 1.3	-	1.7	-	-	-	
			1.4 to 1.6	-	1.8	-	-	-	
			1.65 to 1.95	-	1.9	-	-	-	
			2.3 to 2.7	-	2.2	-	-	-	
			3.0 to 3.6	-	2.7	-	-	-	

5. C_{PD} is defined as the value of the internal equivalent capacitance which is calculated from the dynamic operating current consumption without load. Average operating current can be obtained by the equation $I_{CC(OPR)} = C_{PD} \cdot V_{CC} \cdot f_{in} + I_{CC}$. C_{PD} is used to determine the no-load dynamic power consumption: $P_D = C_{PD} \cdot V_{CC}^2 \cdot f_{in} + I_{CC} \cdot V_{CC}$.

TIMING REQUIREMENTS (Input $t_r = t_f = 3.0$ ns; C_L = 5 pF, 10 pF, 15 pF and 20 pF)

Symbol	Parameter	Test Condition	V _{CC} (V)	T _A = 25 °C			T _A = -55°C to +125°C		Unit
				Min	Typ	Max	Min	Max	
t _w	Pulse Width, LE	High	0.9	-	4.0	-	-	-	ns
			1.1 to 1.3	-	0.7	-	2.1	-	
			1.4 to 1.6	-	0.5	-	1.3	-	
			1.65 to 1.95	-	0.4	-	1.0	-	
			2.3 to 2.7	-	0.3	-	0.8	-	
			3.0 to 3.6	-	0.2	-	0.8	-	
t _{SU}	Set-Up Time, D to LE	High or Low	0.9	-	2.1	-	-	-	ns
			1.1 to 1.3	-	0.5	-	2.7	-	
			1.4 to 1.6	-	0.3	-	1.5	-	
			1.65 to 1.95	-	0.3	-	1.2	-	
			2.3 to 2.7	-	0.2	-	0.9	-	
			3.0 to 3.6	-	0.2	-	0.7	-	
t _H	Hold Time D to LE	High or Low	0.9	-	-2.8	-	-	-	ns
			1.1 to 1.3	-	-0.7	-	-0.1	-	
			1.4 to 1.6	-	-0.4	-	-0.1	-	
			1.65 to 1.95	-	-0.4	-	0	-	
			2.3 to 2.7	-	-0.3	-	0.2	-	
			3.0 to 3.6	-	-0.4	-	0.3	-	

NL17SG373

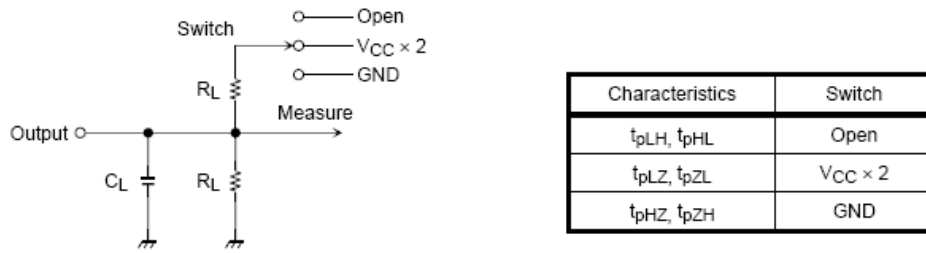
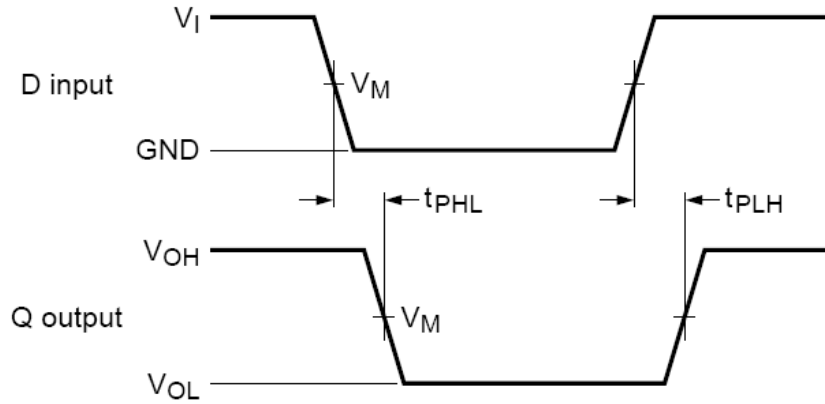
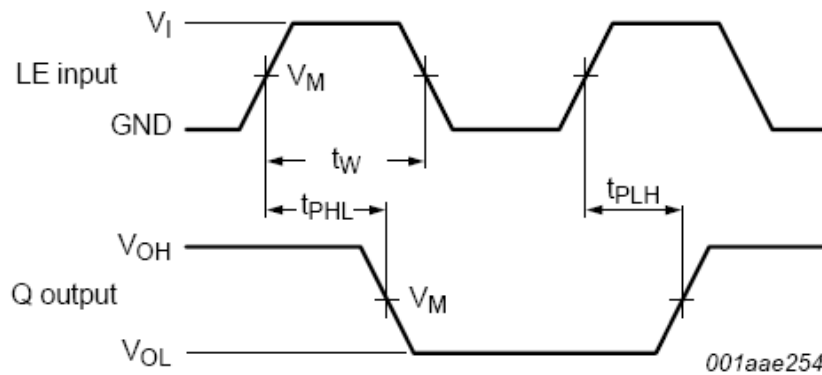


Figure 3. Test Circuit



Logic levels: V_{OL} and V_{OH} are typical output voltage levels that occur with the output load.

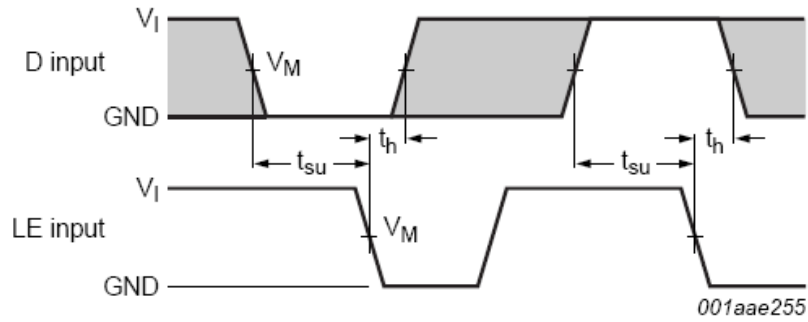
Figure 4. t_{pLH} , t_{pHL} Waveforms (D to Q)



Logic levels: V_{OL} and V_{OH} are typical output voltage levels that occur with the output load.

Figure 5. t_{pLH} , t_{pHL} , t_W Waveforms (LE to Q)

NL17SG373

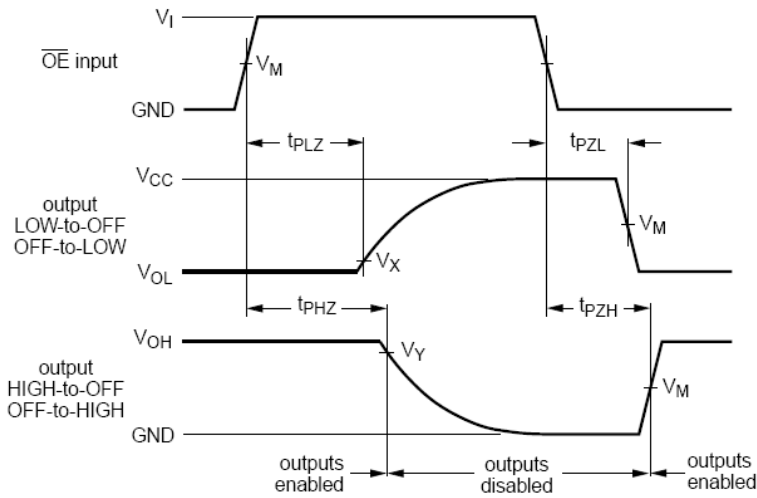


Logic levels: V_{OL} and V_{OH} are typical output voltage levels that occur with the output load.

Figure 6. t_{SU} , t_H Waveforms (D to LE)

MEASUREMENT POINTS FOR FIGURES 4, 5 AND 6

Supply Voltage	Input			Output
V_{CC}	V_M	V_I	$t_r = t_f$	V_M
0.9 V to 3.6 V	$0.5 \times V_{CC}$	V_{CC}	≤ 3.0 ns	$0.5 \times V_{CC}$



Logic levels: V_{OL} and V_{OH} are typical output voltage levels that occur with the output load.

Figure 7. t_{PLZ} , t_{PHZ} , t_{PZH} , t_{PZL} Waveforms (\overline{OE} to Q)

MEASUREMENT POINTS FOR FIGURE 7

Supply Voltage	Input			Output		
V_{CC}	V_M	V_I	$t_r = t_f$	V_M	V_X	V_Y
0.9 V	$0.5 \times V_{CC}$	V_{CC}	≤ 3.0 ns	$0.5 \times V_{CC}$	$V_{OL} + 0.1$ V	$V_{OH} - 0.1$ V
1.1 V to 1.3 V	$0.5 \times V_{CC}$	V_{CC}	≤ 3.0 ns	$0.5 \times V_{CC}$	$V_{OL} + 0.1$ V	$V_{OH} - 0.1$ V
1.4 V to 1.6 V	$0.5 \times V_{CC}$	V_{CC}	≤ 3.0 ns	$0.5 \times V_{CC}$	$V_{OL} + 0.1$ V	$V_{OH} - 0.1$ V
1.65 V to 1.95 V	$0.5 \times V_{CC}$	V_{CC}	≤ 3.0 ns	$0.5 \times V_{CC}$	$V_{OL} + 0.15$ V	$V_{OH} - 0.15$ V
2.3 V to 2.7 V	$0.5 \times V_{CC}$	V_{CC}	≤ 3.0 ns	$0.5 \times V_{CC}$	$V_{OL} + 0.15$ V	$V_{OH} - 0.15$ V
3.0 V to 3.6 V	$0.5 \times V_{CC}$	V_{CC}	≤ 3.0 ns	$0.5 \times V_{CC}$	$V_{OL} + 0.3$ V	$V_{OH} - 0.3$ V

NL17SG373

ORDERING INFORMATION

Device	Package	Shipping†
NL17SG373DFT2G	SC-88 / SOT-363 / SC-70-6 (Pb-Free)	3000 / Tape & Reel

†For information on tape and reel specifications, including part orientation and tape sizes, please refer to our Tape and Reel Packaging Specifications Brochure, BRD8011/D.

MECHANICAL CASE OUTLINE PACKAGE DIMENSIONS

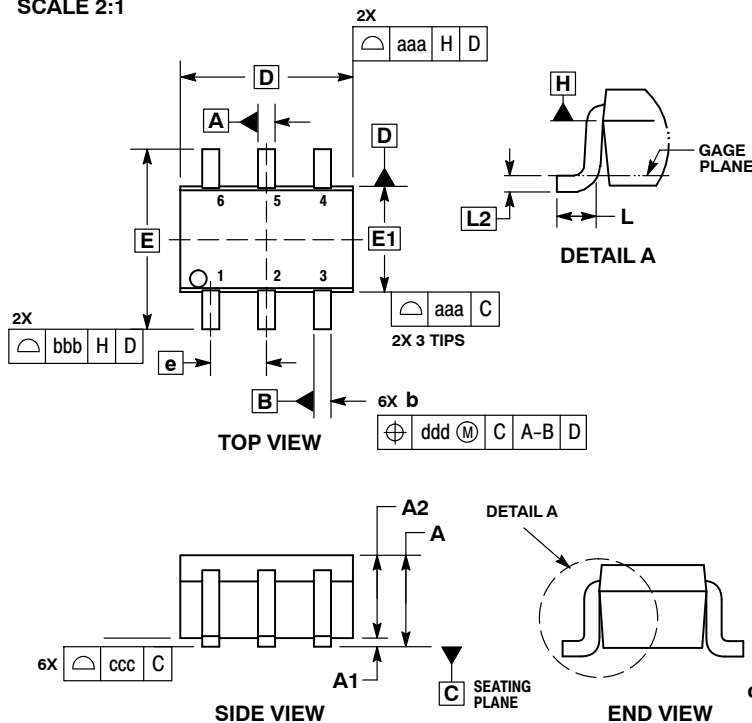
ON Semiconductor®



1
SCALE 2:1

SC-88/SC70-6/SOT-363
CASE 419B-02
ISSUE Y

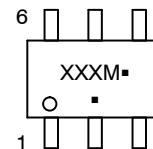
DATE 11 DEC 2012



- NOTES:
1. DIMENSIONING AND TOLERANCING PER ASME Y14.5M, 1994.
 2. CONTROLLING DIMENSION: MILLIMETERS.
 3. DIMENSIONS D AND E1 DO NOT INCLUDE MOLD FLASH, PROTRUSIONS, OR GATE BURRS. MOLD FLASH, PROTRUSIONS, OR GATE BURRS SHALL NOT EXCEED 0.20 PER END.
 4. DIMENSIONS D AND E1 AT THE OUTERMOST EXTREMES OF THE PLASTIC BODY AND DATUM H.
 5. DATUMS A AND B ARE DETERMINED AT DATUM H.
 6. DIMENSIONS b AND c APPLY TO THE FLAT SECTION OF THE LEAD BETWEEN 0.08 AND 0.15 FROM THE TIP.
 7. DIMENSION b DOES NOT INCLUDE DAMBAR PROTRUSION. ALLOWABLE DAMBAR PROTRUSION SHALL BE 0.08 TOTAL IN EXCESS OF DIMENSION b AT MAXIMUM MATERIAL CONDITION. THE DAMBAR CANNOT BE LOCATED ON THE LOWER RADIUS OF THE FOOT.

DIM	MILLIMETERS			INCHES		
	MIN	NOM	MAX	MIN	NOM	MAX
A	---	---	1.10	---	---	0.043
A1	0.00	---	0.10	0.000	---	0.004
A2	0.70	0.90	1.00	0.027	0.035	0.039
b	0.15	0.20	0.25	0.006	0.008	0.010
C	0.08	0.15	0.22	0.003	0.006	0.009
D	1.80	2.00	2.20	0.070	0.078	0.086
E	2.00	2.10	2.20	0.078	0.082	0.086
E1	1.15	1.25	1.35	0.045	0.049	0.053
e	0.65 BSC			0.026 BSC		
L	0.26	0.36	0.46	0.010	0.014	0.018
L2	0.15 BSC			0.006 BSC		
aaa	0.15			0.006		
bbb	0.30			0.012		
ccc	0.10			0.004		
ddd	0.10			0.004		

GENERIC MARKING DIAGRAM*



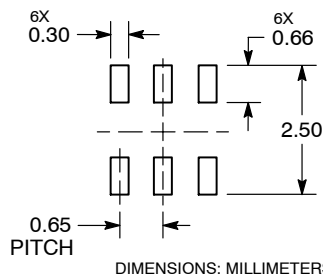
XXX = Specific Device Code
M = Date Code*
▪ = Pb-Free Package

(Note: Microdot may be in either location)

*Date Code orientation and/or position may vary depending upon manufacturing location.

*This information is generic. Please refer to device data sheet for actual part marking. Pb-Free indicator, "G" or microdot "▪", may or may not be present. Some products may not follow the Generic Marking.

RECOMMENDED SOLDERING FOOTPRINT*



*For additional information on our Pb-Free strategy and soldering details, please download the ON Semiconductor Soldering and Mounting Techniques Reference Manual, SOLDERRM/D.

STYLES ON PAGE 2

DOCUMENT NUMBER:	98ASB42985B	Electronic versions are uncontrolled except when accessed directly from the Document Repository. Printed versions are uncontrolled except when stamped "CONTROLLED COPY" in red.
DESCRIPTION:	SC-88/SC70-6/SOT-363	PAGE 1 OF 2

ON Semiconductor and ON are trademarks of Semiconductor Components Industries, LLC dba ON Semiconductor or its subsidiaries in the United States and/or other countries. ON Semiconductor reserves the right to make changes without further notice to any products herein. ON Semiconductor makes no warranty, representation or guarantee regarding the suitability of its products for any particular purpose, nor does ON Semiconductor assume any liability arising out of the application or use of any product or circuit, and specifically disclaims any and all liability, including without limitation special, consequential or incidental damages. ON Semiconductor does not convey any license under its patent rights nor the rights of others.


SC-88/SC70-6/SOT-363
CASE 419B-02
ISSUE Y

DATE 11 DEC 2012

STYLE 1: PIN 1. EMITTER 2 2. BASE 2 3. COLLECTOR 1 4. EMITTER 1 5. BASE 1 6. COLLECTOR 2	STYLE 2: CANCELLED	STYLE 3: CANCELLED	STYLE 4: PIN 1. CATHODE 2. CATHODE 3. COLLECTOR 4. EMITTER 5. BASE 6. ANODE	STYLE 5: PIN 1. ANODE 2. ANODE 3. COLLECTOR 4. EMITTER 5. BASE 6. CATHODE	STYLE 6: PIN 1. ANODE 2 2. N/C 3. CATHODE 1 4. ANODE 1 5. N/C 6. CATHODE 2
STYLE 7: PIN 1. SOURCE 2 2. DRAIN 2 3. GATE 1 4. SOURCE 1 5. DRAIN 1 6. GATE 2	STYLE 8: CANCELLED	STYLE 9: PIN 1. EMITTER 2 2. EMITTER 1 3. COLLECTOR 1 4. BASE 1 5. BASE 2 6. COLLECTOR 2	STYLE 10: PIN 1. SOURCE 2 2. SOURCE 1 3. GATE 1 4. DRAIN 1 5. DRAIN 2 6. GATE 2	STYLE 11: PIN 1. CATHODE 2 2. CATHODE 2 3. ANODE 1 4. CATHODE 1 5. CATHODE 1 6. ANODE 2	STYLE 12: PIN 1. ANODE 2 2. ANODE 2 3. CATHODE 1 4. ANODE 1 5. ANODE 1 6. CATHODE 2
STYLE 13: PIN 1. ANODE 2. N/C 3. COLLECTOR 4. EMITTER 5. BASE 6. CATHODE	STYLE 14: PIN 1. VREF 2. GND 3. GND 4. IOUT 5. VEN 6. VCC	STYLE 15: PIN 1. ANODE 1 2. ANODE 2 3. ANODE 3 4. CATHODE 3 5. CATHODE 2 6. CATHODE 1	STYLE 16: PIN 1. BASE 1 2. EMITTER 2 3. COLLECTOR 2 4. BASE 2 5. EMITTER 1 6. COLLECTOR 1	STYLE 17: PIN 1. BASE 1 2. EMITTER 1 3. COLLECTOR 2 4. BASE 2 5. EMITTER 2 6. COLLECTOR 1	STYLE 18: PIN 1. VIN1 2. VCC 3. VOUT2 4. VIN2 5. GND 6. VOUT1
STYLE 19: PIN 1. IOUT 2. GND 3. GND 4. V CC 5. V EN 6. V REF	STYLE 20: PIN 1. COLLECTOR 2. COLLECTOR 3. BASE 4. EMITTER 5. COLLECTOR 6. COLLECTOR	STYLE 21: PIN 1. ANODE 1 2. N/C 3. ANODE 2 4. CATHODE 2 5. N/C 6. CATHODE 1	STYLE 22: PIN 1. D1 (i) 2. GND 3. D2 (i) 4. D2 (c) 5. VBUS 6. D1 (c)	STYLE 23: PIN 1. Vn 2. CH1 3. Vp 4. N/C 5. CH2 6. N/C	STYLE 24: PIN 1. CATHODE 2. ANODE 3. CATHODE 4. CATHODE 5. CATHODE 6. CATHODE
STYLE 25: PIN 1. BASE 1 2. CATHODE 3. COLLECTOR 2 4. BASE 2 5. EMITTER 6. COLLECTOR 1	STYLE 26: PIN 1. SOURCE 1 2. GATE 1 3. DRAIN 2 4. SOURCE 2 5. GATE 2 6. DRAIN 1	STYLE 27: PIN 1. BASE 2 2. BASE 1 3. COLLECTOR 1 4. EMITTER 1 5. EMITTER 2 6. COLLECTOR 2	STYLE 28: PIN 1. DRAIN 2. DRAIN 3. GATE 4. SOURCE 5. DRAIN 6. DRAIN	STYLE 29: PIN 1. ANODE 2. ANODE 3. COLLECTOR 4. EMITTER 5. BASE/ANODE 6. CATHODE	STYLE 30: PIN 1. SOURCE 1 2. DRAIN 2 3. DRAIN 2 4. SOURCE 2 5. GATE 1 6. DRAIN 1

Note: Please refer to datasheet for style callout. If style type is not called out in the datasheet refer to the device datasheet pinout or pin assignment.

DOCUMENT NUMBER:	98ASB42985B	Electronic versions are uncontrolled except when accessed directly from the Document Repository. Printed versions are uncontrolled except when stamped "CONTROLLED COPY" in red.
DESCRIPTION:	SC-88/SC70-6/SOT-363	PAGE 2 OF 2

ON Semiconductor and  are trademarks of Semiconductor Components Industries, LLC dba ON Semiconductor or its subsidiaries in the United States and/or other countries. ON Semiconductor reserves the right to make changes without further notice to any products herein. ON Semiconductor makes no warranty, representation or guarantee regarding the suitability of its products for any particular purpose, nor does ON Semiconductor assume any liability arising out of the application or use of any product or circuit, and specifically disclaims any and all liability, including without limitation special, consequential or incidental damages. ON Semiconductor does not convey any license under its patent rights nor the rights of others.

onsemi, **Onsemi**, and other names, marks, and brands are registered and/or common law trademarks of Semiconductor Components Industries, LLC dba "**onsemi**" or its affiliates and/or subsidiaries in the United States and/or other countries. **onsemi** owns the rights to a number of patents, trademarks, copyrights, trade secrets, and other intellectual property. A listing of **onsemi**'s product/patent coverage may be accessed at www.onsemi.com/site/pdf/Patent-Marking.pdf. **onsemi** reserves the right to make changes at any time to any products or information herein, without notice. The information herein is provided "as-is" and **onsemi** makes no warranty, representation or guarantee regarding the accuracy of the information, product features, availability, functionality, or suitability of its products for any particular purpose, nor does **onsemi** assume any liability arising out of the application or use of any product or circuit, and specifically disclaims any and all liability, including without limitation special, consequential or incidental damages. Buyer is responsible for its products and applications using **onsemi** products, including compliance with all laws, regulations and safety requirements or standards, regardless of any support or applications information provided by **onsemi**. "Typical" parameters which may be provided in **onsemi** data sheets and/or specifications can and do vary in different applications and actual performance may vary over time. All operating parameters, including "Typicals" must be validated for each customer application by customer's technical experts. **onsemi** does not convey any license under any of its intellectual property rights nor the rights of others. **onsemi** products are not designed, intended, or authorized for use as a critical component in life support systems or any FDA Class 3 medical devices or medical devices with a same or similar classification in a foreign jurisdiction or any devices intended for implantation in the human body. Should Buyer purchase or use **onsemi** products for any such unintended or unauthorized application, Buyer shall indemnify and hold **onsemi** and its officers, employees, subsidiaries, affiliates, and distributors harmless against all claims, costs, damages, and expenses, and reasonable attorney fees arising out of, directly or indirectly, any claim of personal injury or death associated with such unintended or unauthorized use, even if such claim alleges that **onsemi** was negligent regarding the design or manufacture of the part. **onsemi** is an Equal Opportunity/Affirmative Action Employer. This literature is subject to all applicable copyright laws and is not for resale in any manner.

PUBLICATION ORDERING INFORMATION

LITERATURE FULFILLMENT:

Email Requests to: orderlit@onsemi.com

onsemi Website: www.onsemi.com

TECHNICAL SUPPORT

North American Technical Support:

Voice Mail: 1 800-282-9855 Toll Free USA/Canada

Phone: 011 421 33 790 2910

Europe, Middle East and Africa Technical Support:

Phone: 00421 33 790 2910

For additional information, please contact your local Sales Representative