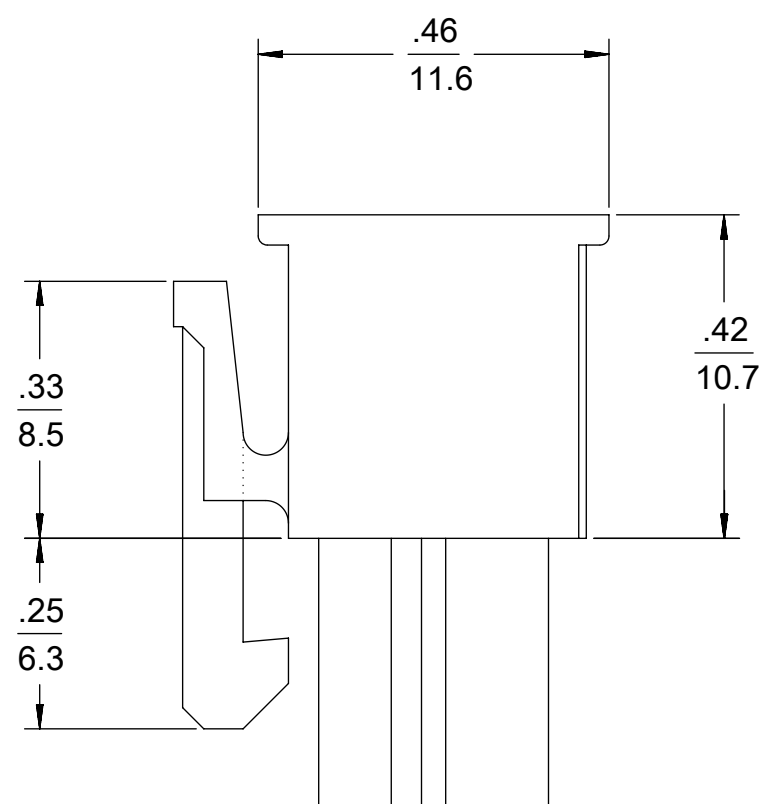
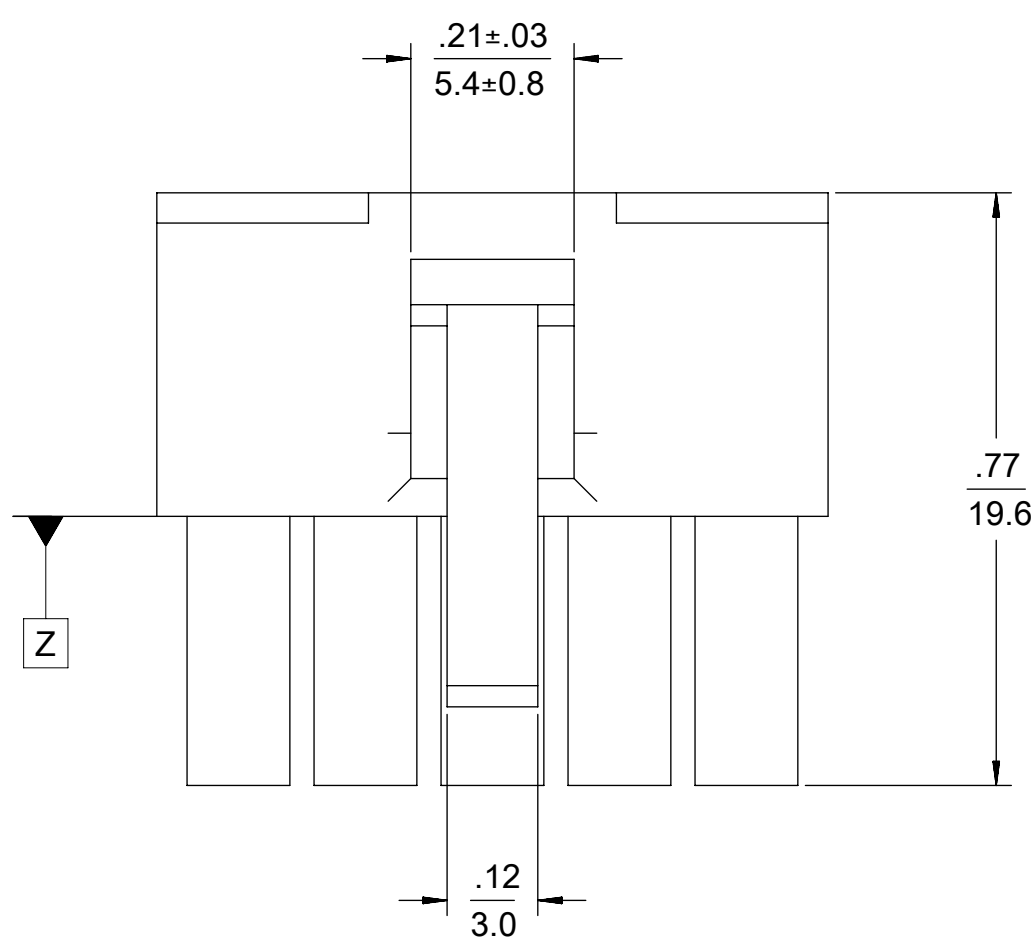


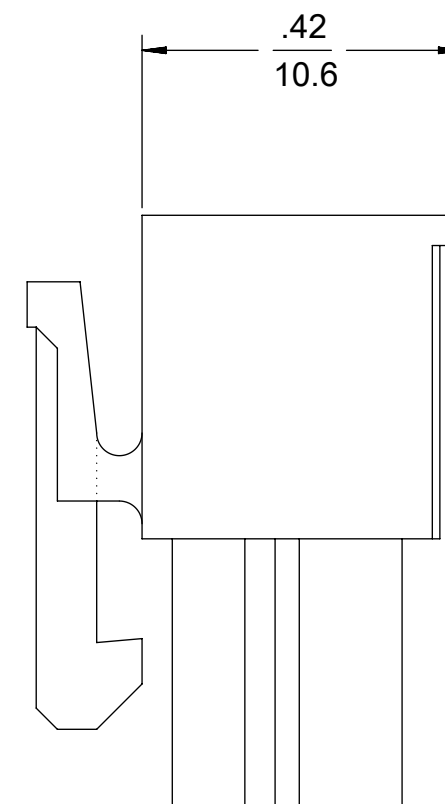
4 CKT SHOWN

NOTES:

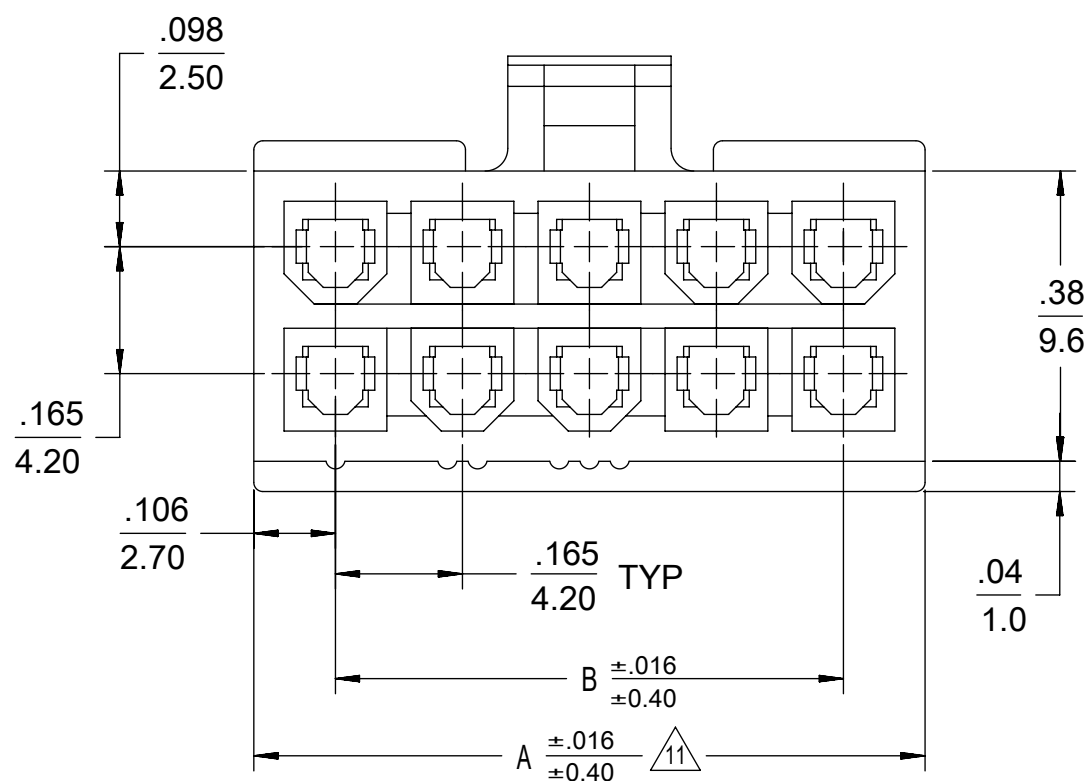
- 1) MATERIAL:
 - "BLANK" = NYLON 6/6, UNFILLED UL94V-2, COLOR: NATURAL.
 - "BL" = NYLON 6/6, UNFILLED UL94V-2, COLOR: BLACK.
 - "BU" = NYLON 6/6, UNFILLED UL94V-2, COLOR: BLUE.
 - "RE" = NYLON 6/6, UNFILLED UL94V-2, COLOR: RED.
 - "YE" = NYLON 6/6, UNFILLED UL94V-2, COLOR: YELLOW.
 - "GRE" = NYLON 6/6, UNFILLED UL94V-2, COLOR: GREEN.
 - "210" = NYLON 6/6, UNFILLED UL94V-0, COLOR: NATURAL.
 - "400" = NYLON 6/6, UNFILLED UL94V-0, COLOR: BLACK.
- 2) FINISH: NOT APPLICABLE
- 3) PRODUCT SPECIFICATION: PS-5556-001
- 4) PACKAGING: BULK PACKED PER PK-5557-002
- 5) PART MATES WITH MOLEX PLUG #5559 AND HEADERS #5566, #5569.
- 6) PART TO BE USED WITH MOLEX FEMALE TERMINAL #5556.
- 7) PART IS NOT DESIGNED FOR CURRENT SHARING.
- 8) CONNECTORS ARE NOT TO BE MATED OR UNMATED WHILE CIRCUITS ARE LIVE.
- 9) WIRES ARE TO BE DRESSED IN SUCH A MANNER TO ALLOW THE TERMINALS TO FLOAT FREELY IN THE POCKET.
- 10) PART CONFORMS TO CLASS "B" REQUIREMENTS OF COSMETIC SPECIFICATION PS-45499-002 WITH THE EXCEPTION OF DISCOLORATION, FLASH AND SINK MEET CLASS "C" REQUIREMENTS.
- 11) TO BE MEASURED AT SURFACE Z
- 12) TEXT ON PART IS FOR REFERENCE ONLY. TEXT AND TEXT LOCATION MAY VARY DEPENDING ON PART NUMBER AND/OR TOOL.
- 13) BUBBLE IS ACCEPTABLE ON LATCH AREA.



4-24 CKT

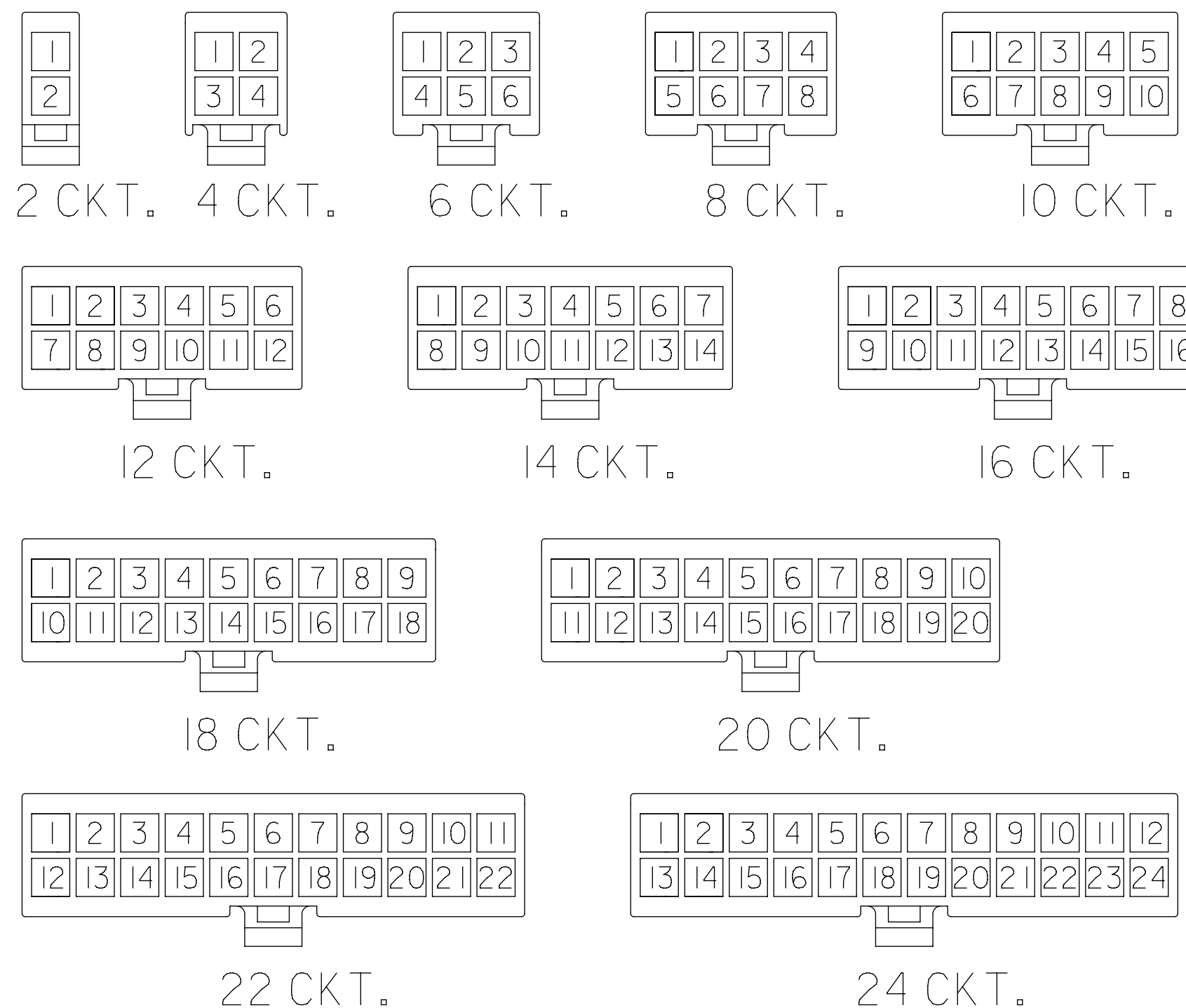


2 CKT ONLY



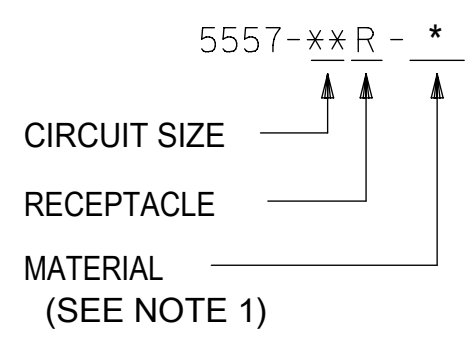
2.031/(51.60)	1.819/(46.20)	24
1.866/(47.40)	1.654/(42.00)	22
1.701/(43.20)	1.488/(37.80)	20
1.535/(39.00)	1.323/(33.60)	18
1.370/(34.80)	1.157/(29.40)	16
1.205/(30.60)	0.992/(25.20)	14
1.039/(26.40)	0.827/(21.00)	12
0.874/(22.20)	0.661/(16.80)	10
0.709/(18.00)	0.496/(12.60)	8
0.543/(13.80)	0.331/(8.40)	6
0.378/(9.60)	0.165/(4.20)	4
0.213/(5.40)	—+—	2
A	B	NO. OF CKTS.

THIS DRAWING CONTAINS INFORMATION THAT IS PROPRIETARY TO MOLEX ELECTRONIC TECHNOLOGIES, LLC AND SHOULD NOT BE USED WITHOUT WRITTEN PERMISSION										
DIMENSION UNITS		SCALE		CURRENT REV DESC:						
INCH	NTS	MM	INCH	EC NO:	DATE					
GENERAL TOLERANCES (UNLESS SPECIFIED)						MINIFIT JR RECEPTACLE HOUSING DUAL ROW 2-24 CKT PRODUCT CUSTOMER DRAWING DOCUMENT NUMBER: SD-5557-003 DOC TYPE: PSD DOC PART: 000 REVISION: J20 MATERIAL NUMBER: SEE TABLE CUSTOMER: GENERAL MARKET SHEET NUMBER: 1 OF 2				
4 PLACES	±	±		DRWN: JERRYW8	2022/08/22					
3 PLACES	±	±	0.01	CHK'D: XQZHANG	2022/09/01					
2 PLACES	±	0.25	±	0.015	APPR: XQZHANG					2022/09/01
1 PLACE	±	0.38	±							
INITIAL REVISION:										
0 PLACES	±	±		DRWN: S.MOCHIZUKI	1990/02/22					
ANGULAR TOL ± 0.5°						APPR: FSMITH 2011/02/21				
DRAFT WHERE APPLICABLE MUST REMAIN WITHIN DIMENSIONS		THIRD ANGLE PROJECTION		DRAWING	SERIES					
				C-SIZE	5557					



CIRCUIT SIZE LAYOUT
(NOT TO SCALE)

LEGEND



V-0 (BLACK)			V-0 (NATURAL)		
39-03-9242	5557-24R-400	24	39-01-2245	5557-24R-210	24
-	-	22	39-01-2225	5557-22R-210	22
-	-	20	39-01-2205	5557-20R-210	20
39-03-9182	5557-18R-400	18	39-01-2185	5557-18R-210	18
39-03-9162	5557-16R-400	16	39-01-2165	5557-16R-210	16
39-03-9142	5557-14R-400	14	39-01-2145	5557-14R-210	14
39-03-9122	5557-12R-400	12	39-01-2125	5557-12R-210	12
39-03-9102	5557-10R-400	10	39-01-2105	5557-10R-210	10
39-03-9082	5557-08R-400	8	39-01-2085	5557-08R-210	8
39-03-9062	5557-06R-400	6	39-01-2065	5557-06R-210	6
39-03-9042	5557-04R-400	4	39-01-2045	5557-04R-210	4
39-03-9022	5557-02R-400	2	39-01-2025	5557-02R-210	2
EDP. NO.	ENG. NO.	NO. OF CKTS.	EDP. NO.	ENG. NO.	NO. OF CKTS.

* = CONSULT FACTORY FOR AVAILABILITY.

V-2 (BLUE)			V-2 (GREEN)			V-2 (YELLOW)			V-2 (RED)			V-2 (BLACK)			V-2 (NATURAL)				
		24			24			24	-	-	24	-	-	24	39-01-2240	5557-24R	24		
		22			22			22	-	-	22	39-01-3225	5557-22R-BL	22	39-01-2220	5557-22R	22		
		20			20			20	-	-	20	-	-	20	39-01-2200	5557-20R	20		
		18			18			18	-	-	18	-	-	18	39-01-2180	5557-18R	18		
		16			16			16	-	-	16	-	-	16	39-01-2160	5557-16R	16		
		14			14			14	-	-	14	-	-	14	39-01-2140	5557-14R	14		
		12			12			12	-	-	12	39-01-3125	5557-12R-BL	12	39-01-2120	5557-12R	12		
*	39-02-7108	5557-10R-BU	10		10			10	-	-	10	39-01-3105	5557-10R-BL	10	39-01-2100	5557-10R	10		
		8			8			8	-	-	8	39-01-3085	5557-08R-BL	8	39-01-2080	5557-08R	8		
		6			6			6	39-02-8060	5557-06R-RE	6	39-01-3065	5557-06R-BL	6	39-01-2060	5557-06R	6		
		4			4			4	* 39-02-8040	5557-04R-RE	4	39-01-3045	5557-04R-BL	4	39-01-2040	5557-04R	4		
		2			2			2	-	-	2	39-01-3025	5557-02R-BL	2	39-01-2020	5557-02R	2		
	EDP. NO.	ENG. NO.	NO. OF CKTS.		EDP. NO.	ENG. NO.	NO. OF CKTS.		EDP. NO.	ENG. NO.	NO. OF CKTS.		EDP. NO.	ENG. NO.	NO. OF CKTS.		EDP. NO.	ENG. NO.	NO. OF CKTS.

THIS DRAWING CONTAINS INFORMATION THAT IS PROPRIETARY TO MOLEX ELECTRONIC TECHNOLOGIES, LLC AND SHOULD NOT BE USED WITHOUT WRITTEN PERMISSION

DIMENSION UNITS	SCALE	CURRENT REV DESC:
INCH	NTS	
GENERAL TOLERANCES (UNLESS SPECIFIED)		
	MM	INCH
4 PLACES	±	±
3 PLACES	±	± 0.01
2 PLACES	± 0.25	± 0.015
1 PLACE	± 0.38	±
0 PLACES	±	±
ANGULAR TOL	± 0.5 °	
DRAFT WHERE APPLICABLE MUST REMAIN WITHIN DIMENSIONS		THIRD ANGLE PROJECTION
		DRAWING
		SERIES
		MATERIAL NUMBER
		CUSTOMER
		SHEET NUMBER

EC NO: 719028
 DRWN: JERRYW8 2022/08/22
 CHK'D: XQZHANG 2022/09/01
 APPR: XQZHANG 2022/09/01

INITIAL REVISION:
 DRWN: S.MOCHIZUKI 1990/02/22
 APPR: FSMITH 2011/02/21

molex

MINIFIT JR
 RECEPTACLE HOUSING DUAL ROW 2-24 CKT

PRODUCT CUSTOMER DRAWING

DOCUMENT NUMBER: SD-5557-003
 DOC TYPE: PSD
 DOC PART: 000
 REVISION: J20

GENERAL MARKET