

TABLE 1 : UNITIZED CONNECTOR WITH HOLD DOWN MODULE

PART NUMBER	NUMBER OF POWER MODULES	*DIM A*	PLATING OPTION	HOLD DOWN MODULE LOCATION
78229-100*	1X	10.90	TIN	LEFT (REFER TO SHEET 2 FOR DETAILS)
78229-10**	2X	18.30		RIGHT (REFER TO SHEET 3 FOR DETAILS)
78229-200*	1X	10.90		
78229-20**	2X	18.30		

PART NUMBER LEGEND: 78229-\*0\*\*

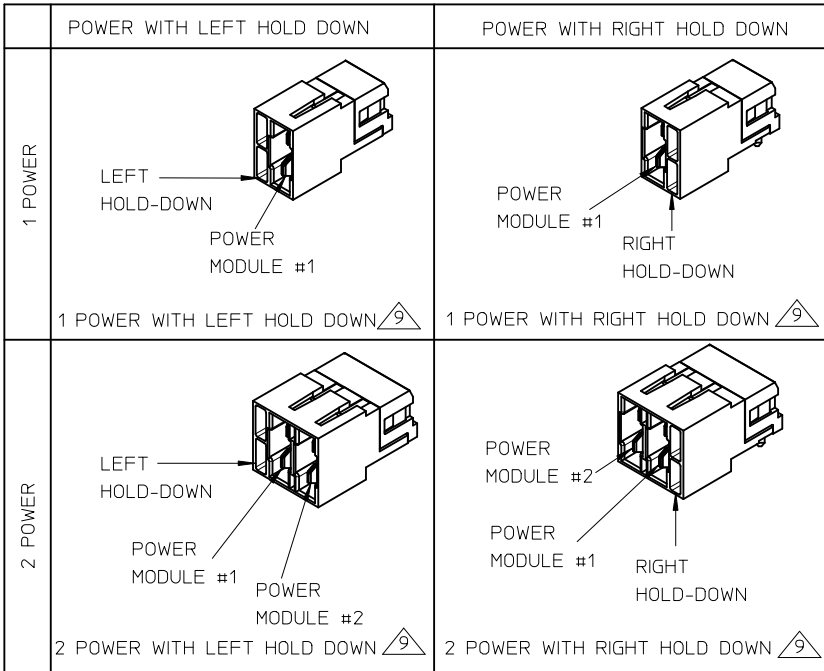
PLATING OPTION	HOLD DOWN MODULE LOCATION	*	POWER MODULE 2		POWER MODULE 1	
			BLADE LENGTH		BLADE LENGTH	
			P1	P2	P1	P2
TIN	LEFT	1	MODULE NOT PRESENT		1	8.27 8.27
	RIGHT	2	1	8.27 8.27	2	8.27 9.77
			3	6.77 9.77	3	6.77 9.77

NOTES

- MATERIALS :  
HOUSING - HIGH TEMP. THERMOPLASTIC, GLASS FILLED, UL94-V0,COLOR:BLACK.  
POWER PIN - COPPER ALLOY
- FINISHES :  
POWER CONTACTS  
0.76µm MINIMUM GOLD AT CONTACT AREA AND  
2.54µm MINIMUM TIN AT SOLDER TAIL AREA OVER  
1.27µm MINIMUM NICKEL UNDERPLATE.
- PRODUCT SPECIFICATION: PS-78231-006.
- COMPONENT STAY AWAY ZONE FROM CONNECTOR.
- PCB NOTE FOR PLATED HOLE.

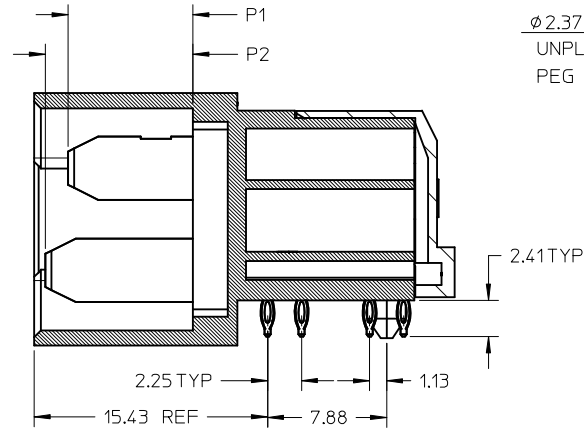
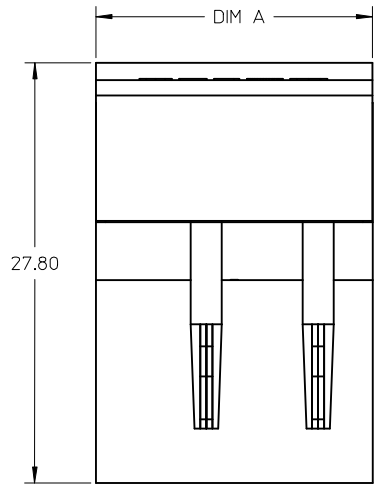
TYPE OF PLATED HOLE	DRILLED HOLE SIZE	PLATING THICKNESS	PLATED HOLE SIZE *ØDIM H*
TIN/TIN-LEAD	0.838	0.007 MIN TIN/TIN-LEAD/SILVER	0.725±0.075
SILVER	0.863	OVER 0.03 TO 0.08 COPPER PLATING	0.750±0.050

- MATES WITH 78227-1\*\*\* and 78230-\*\*\*\*.
- PART NUMBER AND YEAR-DAY CODE CAN BE ON EITHER SIDE OF WALL
- ADD 7.40mm FOR EACH ADDITIONAL MODULE.
- THE DETAILS FOR LEFT HOLD DOWN OPTION SHOWN ON SHEET 2 AND RIGHT HOLD DOWN OPTION SHOWN ON SHEET 3.
- CONNECTORS ARE PACKED IN A TRAY.
- MODULE LOCATION IS FROM NEXT TO HOLD DOWN MODULE WITH STARTING MODULE AS \*#1\*.
- BOTTOM AND TOP CIRCUITS ARE INDICATED AS \*CKT A\* AND \*CKT B\*.
- ALL PARTS ARE SHIPPED WITH A 2-32 TYPE AB SELF-TAPPING SCREW PART NUMBER 73726-0005.
- PACKAGING PROCEDURE AS PER PK-78229-001.

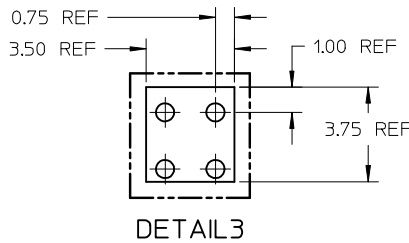
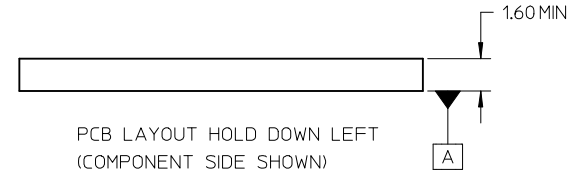
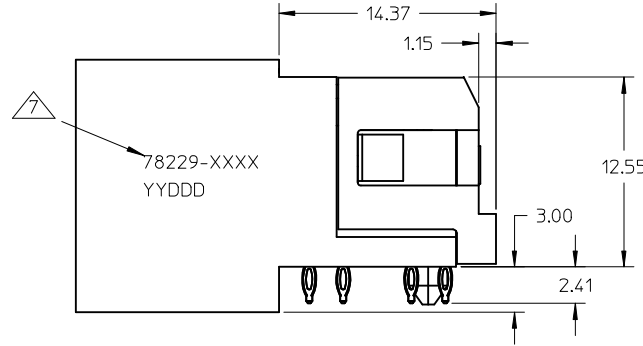
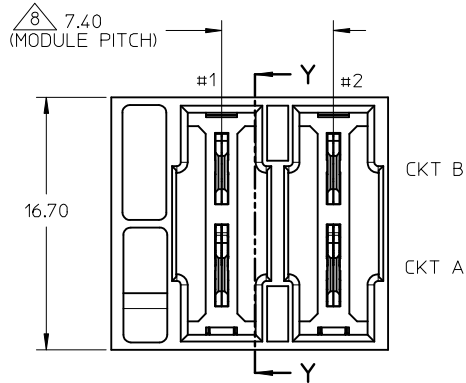
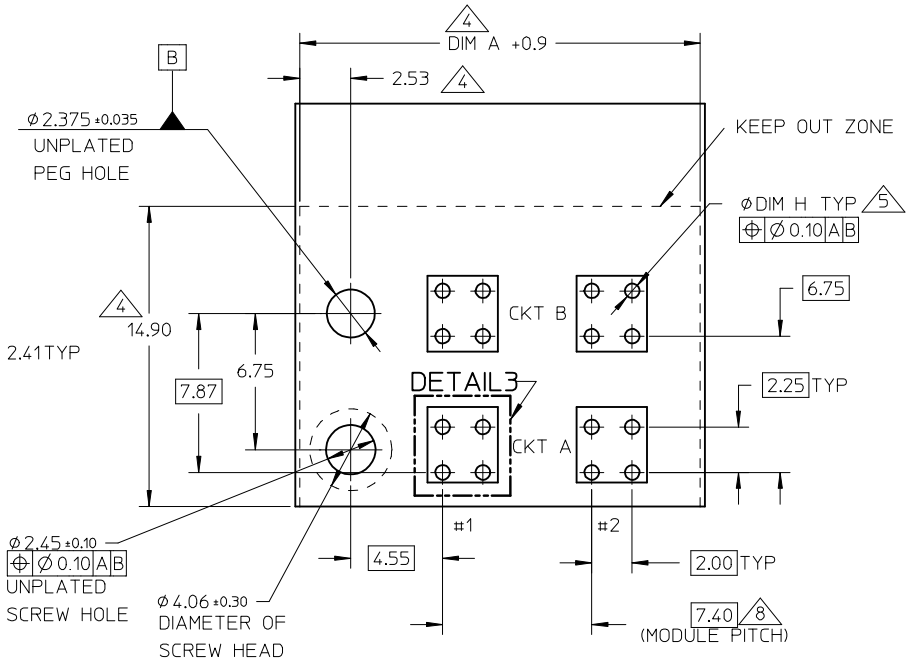


INITIAL RELEASE EC NO: S2012-0455 DRWN: SHONG CHKD: LING APPR: NAGESHKN 2011/12/02 2011/12/27 2012/01/17	DESCRIPTION QUALITY SYMBOLS ▽=0 ◻=0	GENERAL TOLERANCES (UNLESS SPECIFIED)		DIMENSION STYLE MM ONLY		SCALE NTS	DESIGN UNITS METRIC	THIRD ANGLE PROJECTION		
		4 PLACES ± --- ± ---		DRAWN BY LKCHEW		DATE 2011/11/04		TITLE I-TRAC POWER ,7 ROW HEADER WITH HOLD DOWN PRESS FIT, R/A		
		3 PLACES ± --- ± ---		CHECKED BY LNG		DATE		MOLEX INCORPORATED		
		2 PLACES ± 0.25 ± ---		APPROVED BY SHONG		DATE 2011/11/29		DOCUMENT NO. SD-78229-003		
1 PLACE ± --- ± ---		ANGULAR ± 3 °		MATERIAL NO.		SHEET NO. 1 OF 3		THIS DRAWING CONTAINS INFORMATION THAT IS PROPRIETARY TO MOLEX INCORPORATED AND SHOULD NOT BE USED WITHOUT WRITTEN PERMISSION		
DRAFT WHERE APPLICABLE MUST REMAIN WITHIN DIMENSIONS		SIZE A3								

LEFT HOLD DOWN OPTION



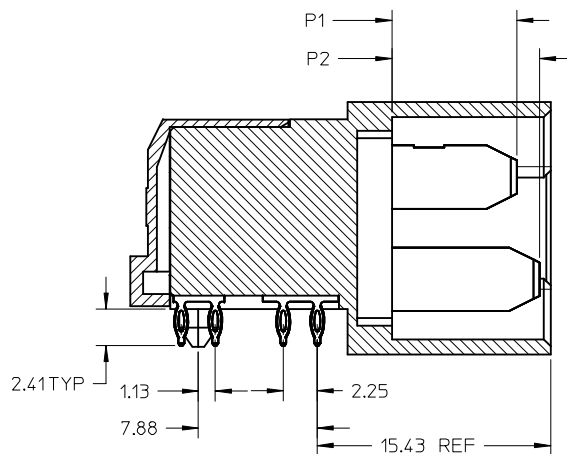
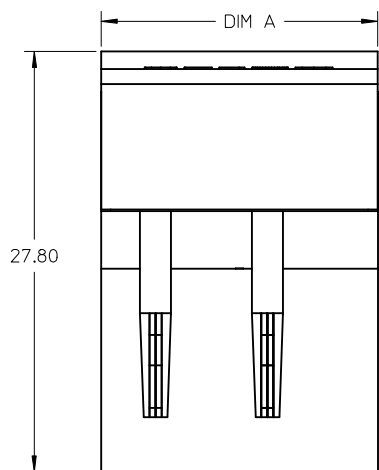
SECTION Y-Y



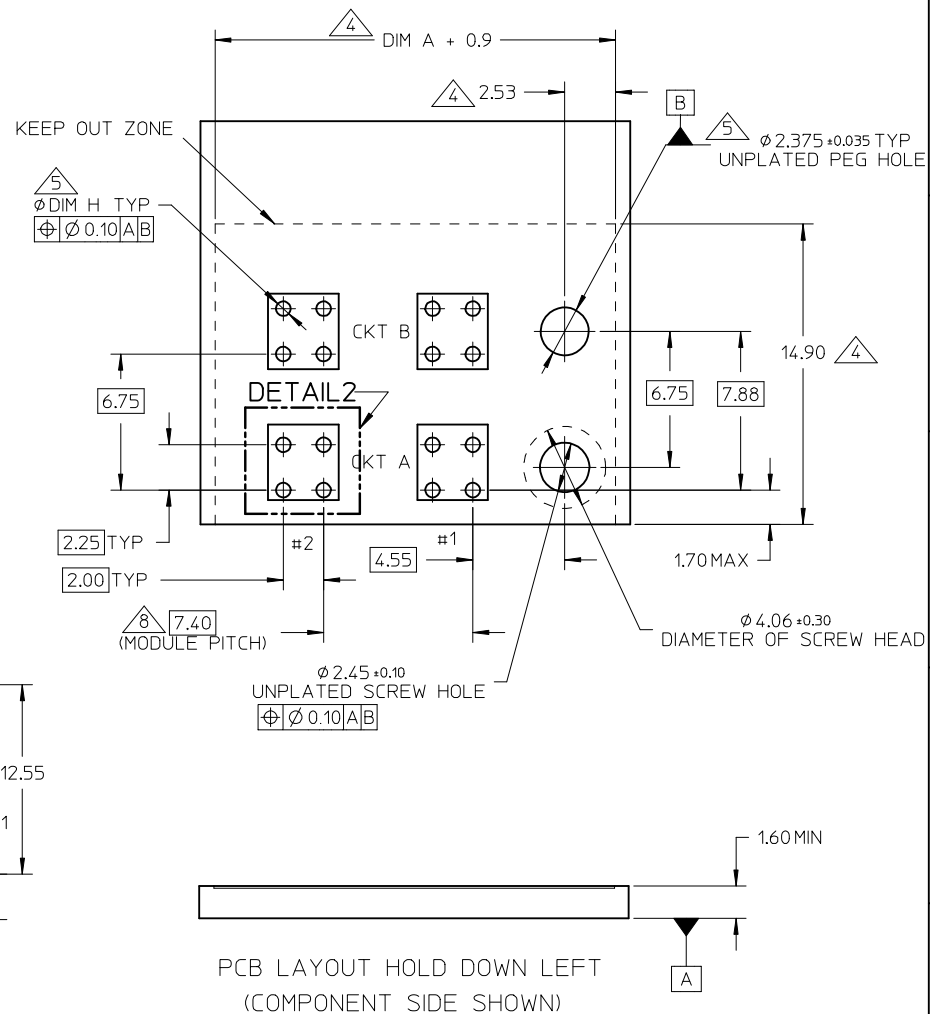
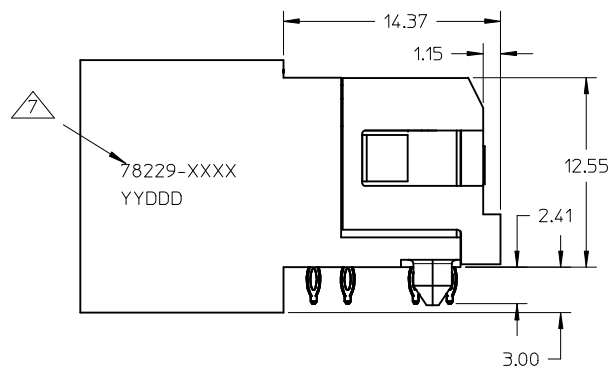
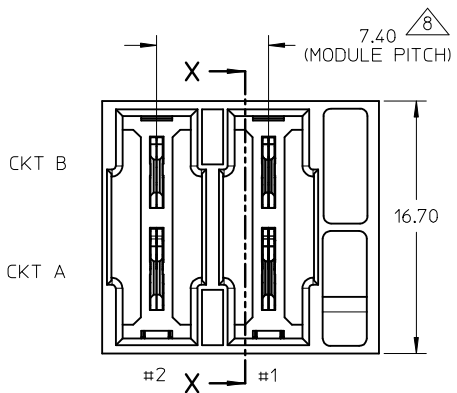
COPPER PAD REFERENCE

INITIAL RELEASE EC NO: S2012-0455 DRWN: SHONG CHKD: LNG APPR: NAGESHKIN 2011/12/02 2011/12/27 2012/01/17	QUALITY SYMBOLS ▽=0 ◻=0	GENERAL TOLERANCES (UNLESS SPECIFIED)		DIMENSION STYLE MM ONLY		SCALE NTS	DESIGN UNITS METRIC	THIRD ANGLE PROJECTION		
			mm	INCH	DRAWN BY	DATE	TITLE			
		4 PLACES	± ---	± ---	LKCHEW	2011/11/04	I-TRAC POWER ,7 ROW HEADER WITH HOLD DOWN PRESS FIT, R/A			
		3 PLACES	± ---	± ---	CHECKED BY	DATE	MOLEX INCORPORATED			
	2 PLACES	± 0.25	± ---	LNG	APPROVED BY	DATE	DOCUMENT NO.			
	1 PLACE	± ---	± ---	SAISON	2011/11/29	SEE TABLE			SHEET NO.	
DRAFT WHERE APPLICABLE MUST REMAIN WITHIN DIMENSIONS		ANGULAR ± 3 °		MATERIAL NO.		SD-78229-003				
		SIZE A3		THIS DRAWING CONTAINS INFORMATION THAT IS PROPRIETARY TO MOLEX INCORPORATED AND SHOULD NOT BE USED WITHOUT WRITTEN PERMISSION						

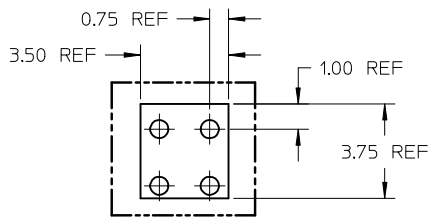
RIGHT HOLD DOWN OPTION



SECTION X-X



PCB LAYOUT HOLD DOWN LEFT  
(COMPONENT SIDE SHOWN)



DETAIL 2  
COPPER PAD REFERENCE

INITIAL RELEASE EC NO: S2012-0455 DRWN: SHONG CHKD: LNG APPR: NAGESHKIN	2011/12/02	DESCRIPTION	QUALITY SYMBOLS
	2011/12/27		▽=0
2012/01/17		◻=0	

GENERAL TOLERANCES (UNLESS SPECIFIED)	mm	INCH	
	4 PLACES	± ---	± ---
	3 PLACES	± ---	± ---
	2 PLACES	± 0.25	± ---
	1 PLACE	± ---	± ---
ANGULAR ± 3 °			
DRAFT WHERE APPLICABLE MUST REMAIN WITHIN DIMENSIONS			

DIMENSION STYLE		SCALE	DESIGN UNITS	THIRD ANGLE PROJECTION
MM ONLY		NTS	METRIC	
DRAWN BY	DATE	TITLE		
LKCHEW	2011/11/04	I-TRAC POWER ,7 ROW HEADER WITH HOLD DOWN PRESS FIT, R/A		
CHECKED BY	DATE	MOLEX INCORPORATED		
LNG		SD-78229-003		
APPROVED BY	DATE	SHEET NO.		
SHONGKIN	2011/11/29	3 OF 3		
MATERIAL NO.	DOCUMENT NO.	SEE TABLE		
		THIS DRAWING CONTAINS INFORMATION THAT IS PROPRIETARY TO MOLEX INCORPORATED AND SHOULD NOT BE USED WITHOUT WRITTEN PERMISSION		

SIZE	THIS DRAWING CONTAINS INFORMATION THAT IS PROPRIETARY TO MOLEX INCORPORATED AND SHOULD NOT BE USED WITHOUT WRITTEN PERMISSION		
A3			