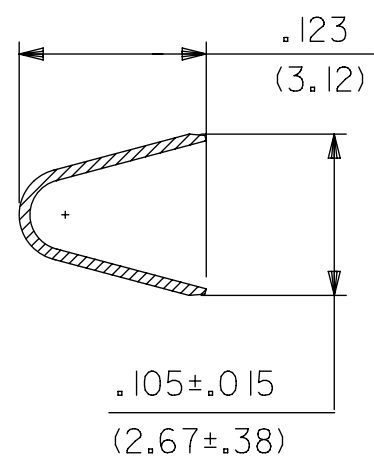
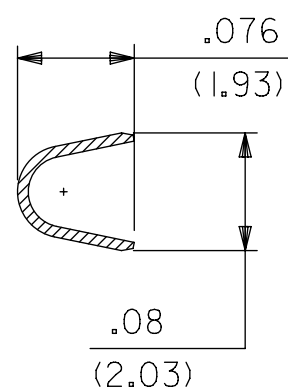


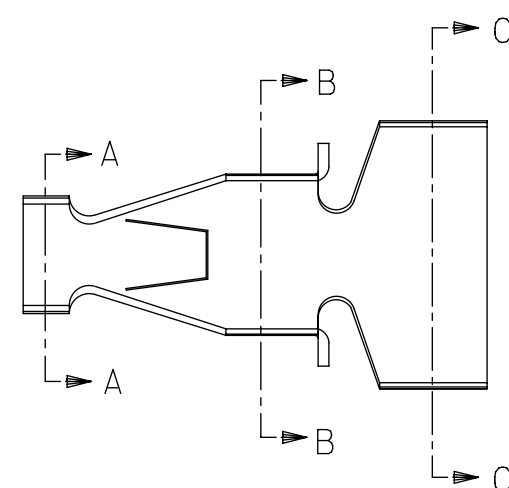
SECTION C-C



SECTION B-B



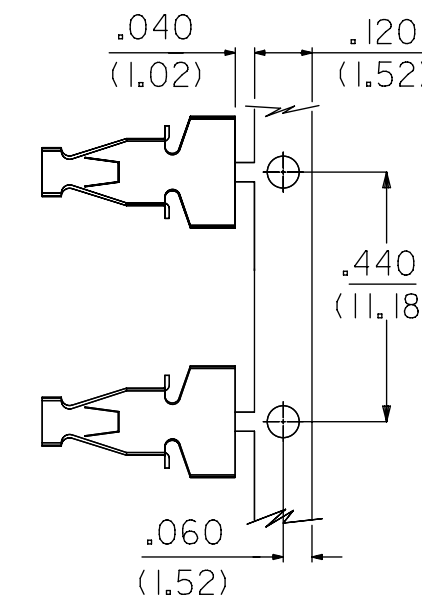
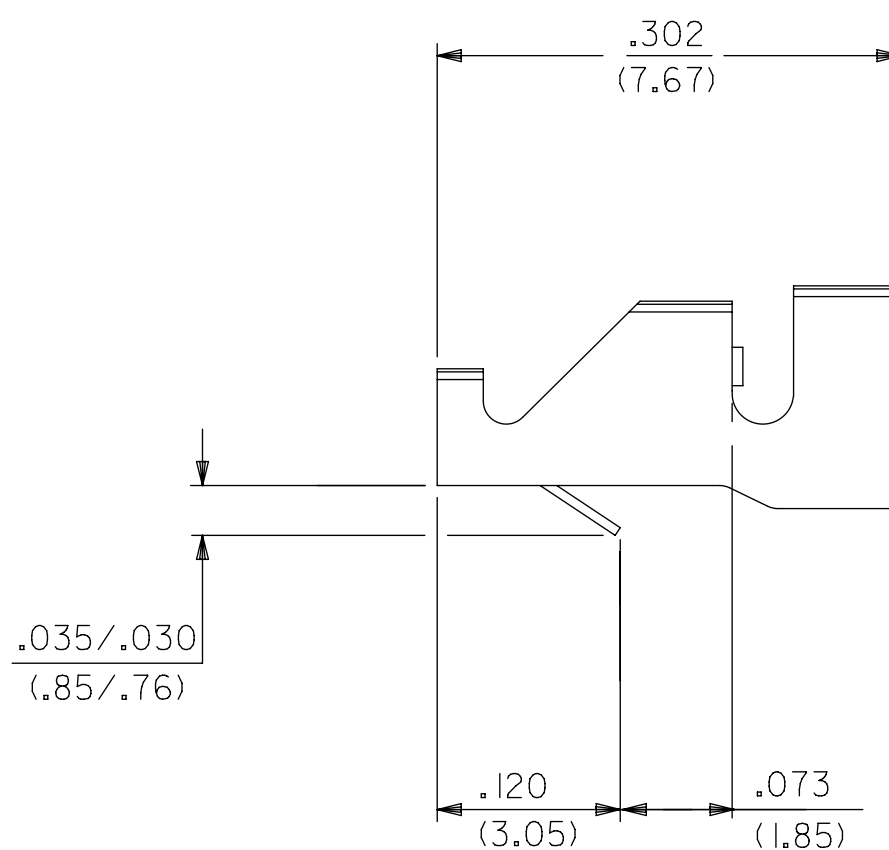
SECTION A-A



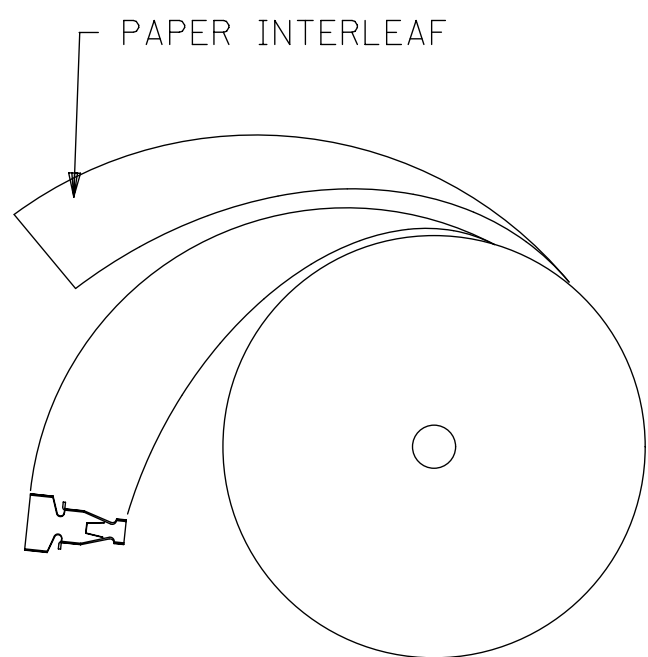
NOTES:

1. MATERIAL: BRASS, .008/(0.20) THICK
2. FINISH: P909 OVERALL HOT TIN DIP: .000100/(0.00254) MIN.
3. PRODUCT SPECIFICATION: PS-4706-001
4. PACKAGING SPECIFICATION: PK-4706-001
5. TERMINAL 4706-(\*\*\*)\* ACCEPTS 16 TO 18 AWG WIRE WITH INSULATION DIA. OF .120/(3.05) MAX.
6. TERMINALS CONFORM TO SOLDERABILITY SPEC SMES-152
7. THIS PART CONFORMS TO CLASS B REQUIRMENTS OF COSMETIC SPECIFICATION PS-45499-002.

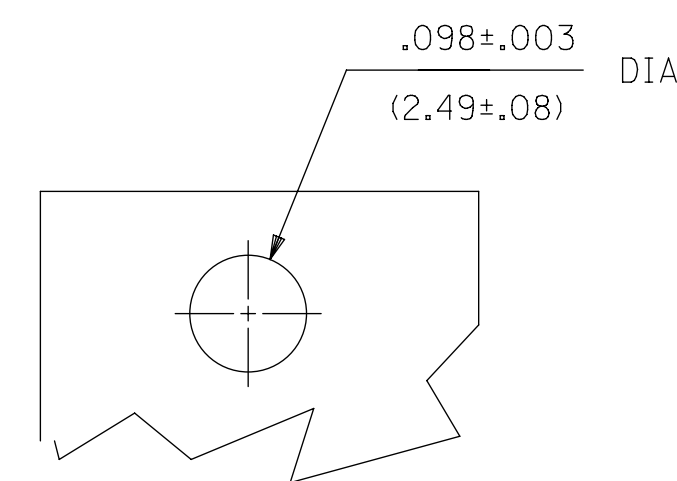
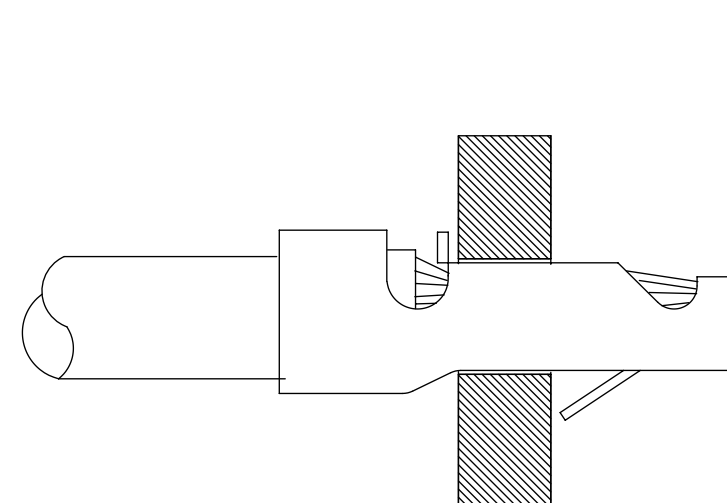
4706-\*(\*\*\*)\*  
 BLANK=SEE SHT 1  
 3=SEE SHEET 2  
 PLATING  
 FORM  
 BLANK=CHAIN  
 L=LOOSE



CARRIER DETAIL



WINDING SPEC



RECOMMENDED PC BOARD  
.062/(1.57)THICK

4706-(***)*	
PART NO.	ENGINEERING NO.
02-09-2105	4706-(P909)

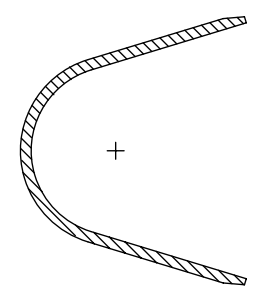
FUNCTIONAL SYMBOLS FA=0 FC=0 FP=0	THIS DRAWING CONTAINS INFORMATION THAT IS PROPRIETARY TO MOLEX ELECTRONIC TECHNOLOGIES, LLC AND SHOULD NOT BE USED WITHOUT WRITTEN PERMISSION			
	DIMENSION UNITS <b>INCH/MM</b>		SCALE <b>NTS</b>	
	CURRENT REV DESC: REVISE NOTES, ADD PK SPEC			
	GENERAL TOLERANCES (UNLESS SPECIFIED)			
DIVISIONAL SYMBOLS	MM		INCH	
	4 PLACES	±	±	
	3 PLACES	±	±	0.01
	2 PLACES	±	0.25	± 0.14
1 PLACE	±	0.36	±	
0 PLACES	±	±		
ANGULAR TOL		± 0.5°		
DRAFT WHERE APPLICABLE MUST REMAIN WITHIN DIMENSIONS		THIRD ANGLE PROJECTION		
DRAWING		SERIES		
<b>C-SIZE</b>		<b>4706</b>		
MATERIAL NUMBER		CUSTOMER		SHEET NUMBER
SEE CHART		GENERAL MARKET		1 OF 2

**molex**

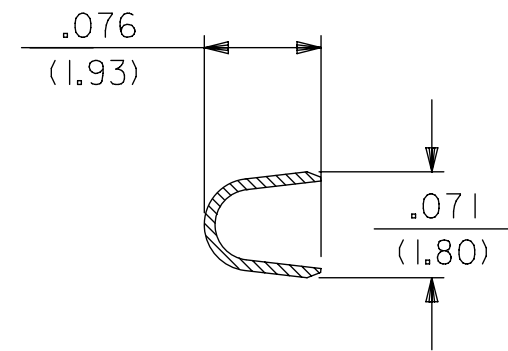
STRAIN RELIEF TERMINAL

PRODUCT CUSTOMER DRAWING

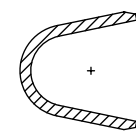
DOCUMENT NUMBER: **SD-4706** | DOC TYPE: PSD | DOC PART: 001 | REVISION: J3



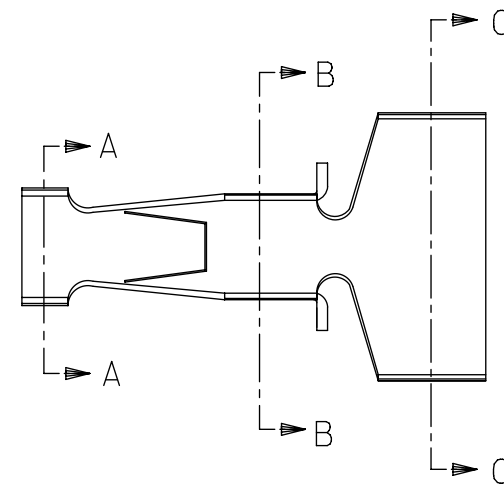
SECTION C-C



SECTION B-B



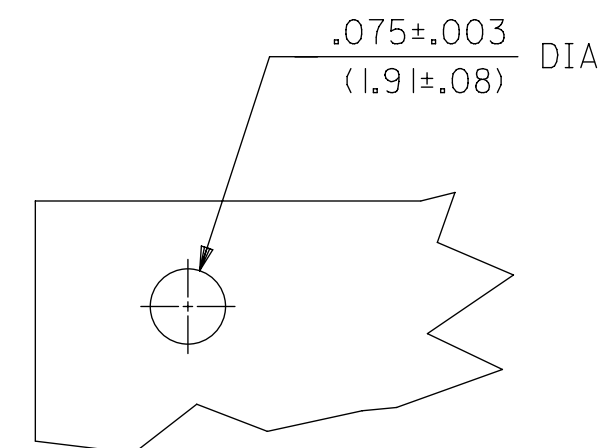
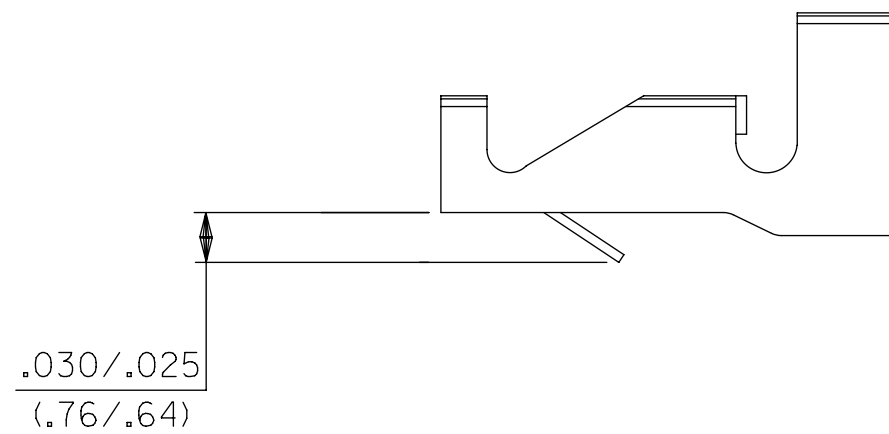
SECTION A-A



NOTES:

1. THIS PART IS THE SAME AS SHEET 1 EXCEPT AS SHOWN
2. MATERIAL: BRASS, .006/(0.15) THICK
3. FINISH: P909 OVERALL HOT TIN DIP: .000100/(0.00254) MIN.
4. TERMINAL 4706-3(\*\*\*)\* ACCEPTS 18 TO 24 AWG WIRE WITH INSULATION DIA. OF .120/(3.05) MAX.

4706-3(***)*	
PART NUMBER	ENGINEERING NO.
02-07-2101	4706-3(P909)



RECOMMENDED PC BOARD  
.062/(1.57) THICK

<b>FUNCTIONAL SYMBOLS</b> $\frac{F}{A} = 0$ $\frac{F}{C} = 0$ $\frac{F}{P} = 0$ <b>DIVISIONAL SYMBOLS</b>	THIS DRAWING CONTAINS INFORMATION THAT IS PROPRIETARY TO MOLEX ELECTRONIC TECHNOLOGIES, LLC AND SHOULD NOT BE USED WITHOUT WRITTEN PERMISSION		CURRENT REV DESC: REVISE NOTES, ADD PK SPEC		
	DIMENSION UNITS	SCALE	EC NO: 708187		
	INCH/MM	NTS	DRWN: MKIPPER 2022/05/26		
	GENERAL TOLERANCES (UNLESS SPECIFIED)		CHK'D: SSOUSEK 2022/06/14		
	MM	INCH	APPR: FSMITH 2022/06/14		<b>PRODUCT CUSTOMER DRAWING</b> DOCUMENT NUMBER: <b>SD-4706</b> DOC TYPE: PSD DOC PART: 001 REVISION: J3
4 PLACES	±	±	INITIAL REVISION:		
3 PLACES	±	± 0.01	DRWN: RFC_PLMIMP 2018/09/12		
2 PLACES	± 0.25	± 0.14	APPR: YMARGULI 2001/09/07		
1 PLACE	± 0.36	±	THIRD ANGLE PROJECTION		
0 PLACES	±	±	DRAWING: C-SIZE		
ANGULAR TOL	± 0.5 °		SERIES: 4706		
DRAFT WHERE APPLICABLE MUST REMAIN WITHIN DIMENSIONS		MATERIAL NUMBER: SEE CHART		CUSTOMER: GENERAL MARKET	
		SHEET NUMBER: 2 OF 2			