

PLEASE CHECK WWW.MOLEX.COM FOR LATEST PART INFORMATION

Part Number: [0622023050](#)
Status: **Active**
Overview: [Application Tooling](#)
Description: Extraction Tool for Backstack-240 0.75mm Pitch Connectors

Documents:

[RoHS Certificate of Compliance \(PDF\)](#)

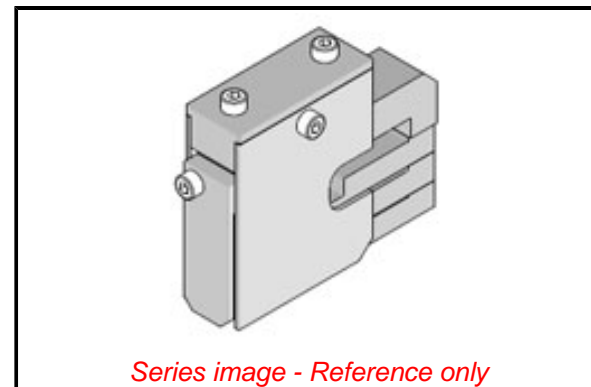
General

Product Family	Application Tooling
Series	207121
Comments	See Tooling Specification (PDF) Above, Press-In Tool
Function	Extraction
Geographic Area	Global
Level of Automation	Manual
More Detailed Tech Information	applicationtooling@molex.com
Overview	Application Tooling
Product Name	PremiumGrade
Taxonomy	Crimp Presses and Crimp Hand T
Tool Type	Extraction Hand Tool
UPC	884982054493
Warranty Disclaimer	CAUTION: Molex tooling crimp specifications are valid only when used with Molex terminals and tooling manufactured by Molex and sold by Molex or authorized distributors ("Molex Tooling"). When using tooling other than Molex Tooling with Molex specific connector systems listed in our ATS documents, the Molex tooling qualification does not apply and the responsibility for full qualification of the connector system is that of the customer. Molex accepts no liability for connector performance or tooling support where tooling other than Molex Tooling is used or where Molex Tooling is modified.

Material Info

Reference - Drawing Numbers

Application Tooling Documents [ATS-622023050-001](#)



EU ELV

Not Relevant

EU RoHS

Not Reviewed

REACH SVHC

Not Reviewed

Halogen-Free

Status

Not Relevant

For more information, please visit [Contact US](#)

China ROHS

Not Relevant

ELV

Not Relevant

RoHS Phthalates

Not Reviewed

Search Parts in this Series

[207121](#) Series

Use With

[76647](#) Backstack-240 0.75mm Pitch Connector Assemblies

Application Tooling | **FAQ**

Description	Product #
--------------------	------------------

Backstack-240 (Pinned) Connector	1702890001
----------------------------------	----------------------------

PLEASE CHECK WWW.MOLEX.COM FOR LATEST PART INFORMATION