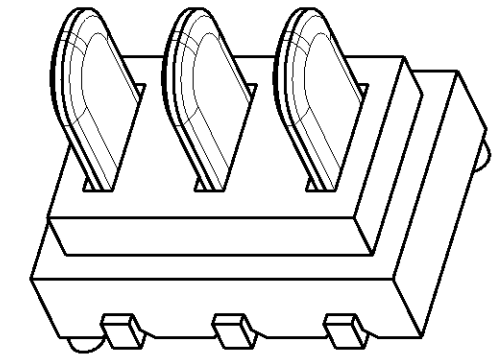
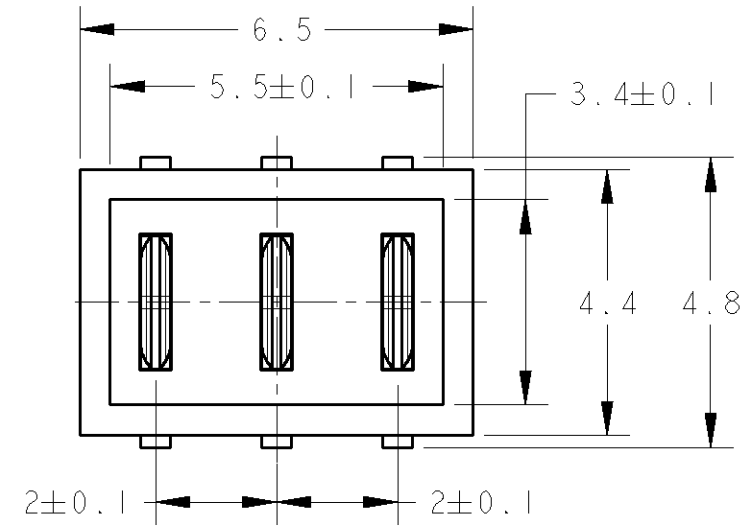


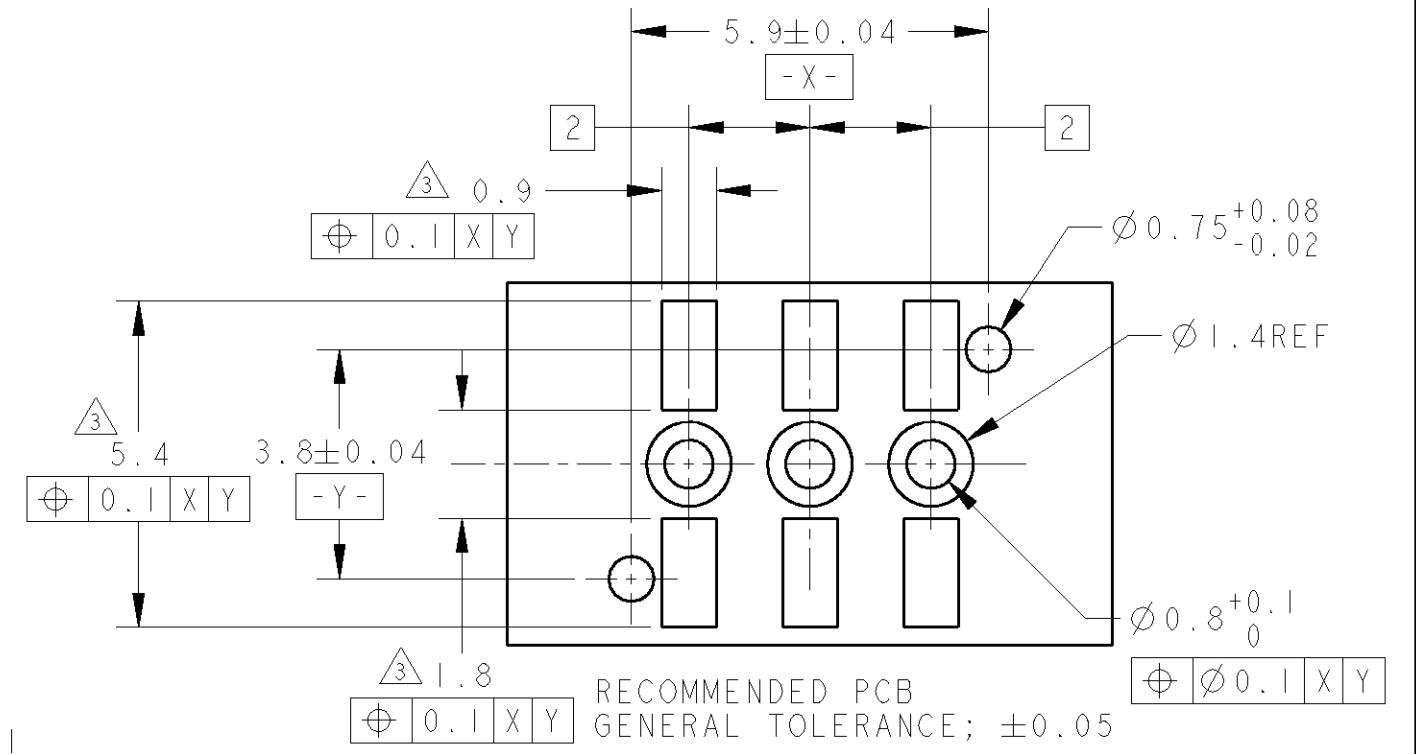
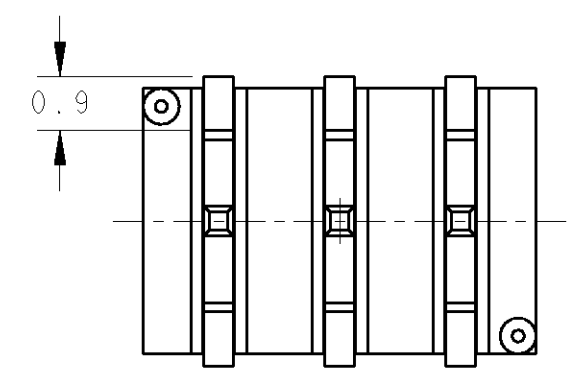
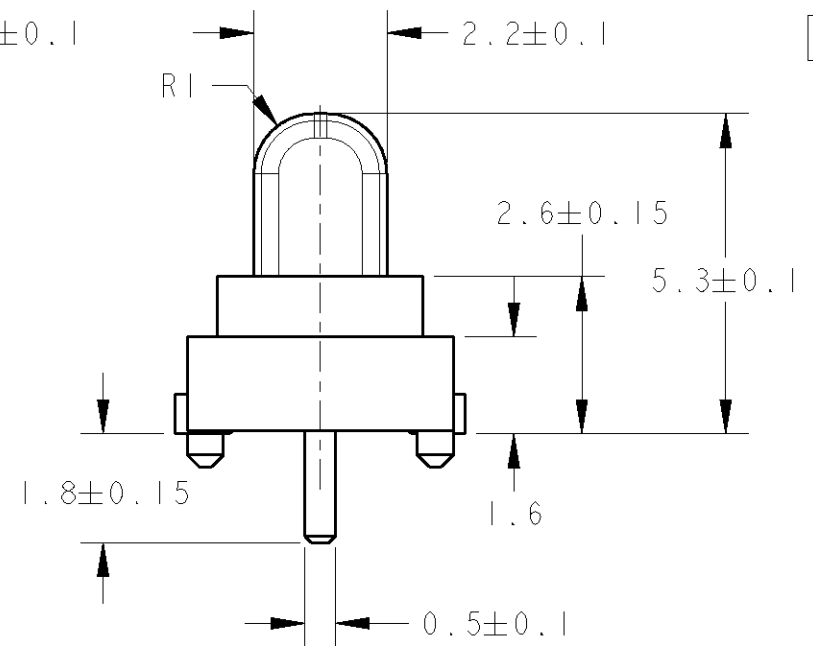
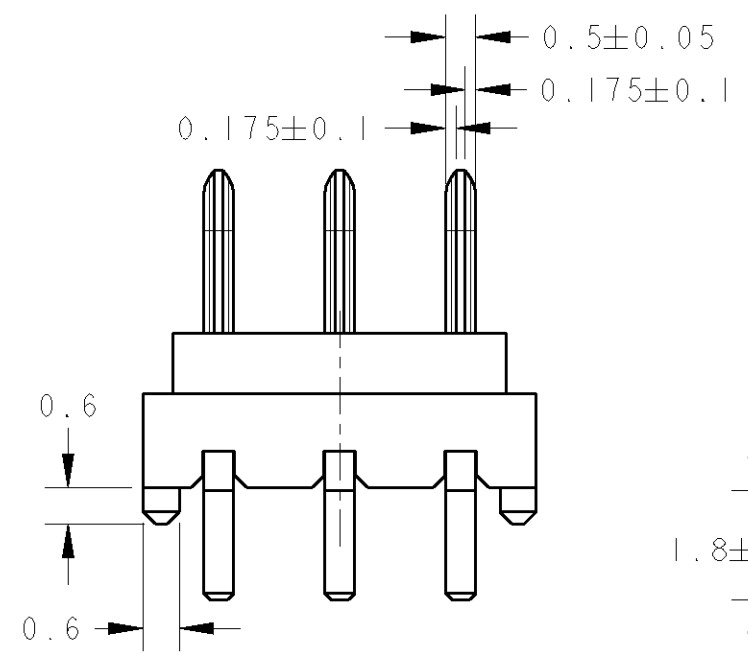
THIS DRAWING IS UNPUBLISHED. RELEASED FOR PUBLICATION 20
 © COPYRIGHT 20 BY TYCO ELECTRONICS CORPORATION, ALL RIGHTS RESERVED.

LOC	DIST	REVISIONS					
P	LTR	DESCRIPTION	DATE	DWN	APVD		
J	-	0	RELEASED	FJ00-1427-02	25SEP2002	C.O	K.K

- | ; 本図
 - | ; AS SHOWN



PLUG CONNECTOR



RECOMMENDED PCB GENERAL TOLERANCE; ±0.05

- △1 材料
 ハウジング; 熱可塑性樹脂, UL94V-0, 黒
 コンタクト; 銅合金
- △2 仕上げ
 コンタクト; 全面ニッケル下地めっき
 接触部; 金めっき
 半田付け部; 金フラッシュ
- △3 リフローにて表面実装の場合のみ必要
- △1 MATERIAL
 HOUSING; THERMOPLASTIC RESIN, UL94V-0, BLACK
 CONTACT; COPPER ALLOY
- △2 FINISH
 CONTACT; ALL OVER Ni UNDER PLATING.
 CONTACT AREA: GOLD PLATING
 SOLDERING AREA: GOLD FLASH
- △3 NECESSARY ONLY IN SURFACEMOUNTING BY REFLOW.

THIS DRAWING IS A CONTROLLED DOCUMENT FOR TYCO ELECTRONICS CORPORATION IT IS SUBJECT TO CHANGE AND THE CONTROLLING ENGINEERING ORGANIZATION SHOULD BE CONTACTED FOR THE LATEST REVISION.		DWN C. OHASHI 20SEP2002	Tyco Electronics AMP K.K. Kawasaki, Japan	
DIMENSIONS: mm		CHK K. IKEGAMI 25SEP2002		
TOLERANCES UNLESS OTHERWISE SPECIFIED:		APVD K. KODAIRA 25SEP2002	NAME BATTERY BLOCK CONNECTOR PLUG ASSY 3POS 2MM PITCH	
0 PLC ±0.2 1 PLC ±0.2 2 PLC ±0.2 3 PLC ±0.2 4 PLC ±0.2 ANGLES ±2		PRODUCT SPEC 108-5846	RESTRICTED TO -	
MATERIAL △1		FINISH △2	WEIGHT 0.24g	SIZE A3
		CUSTOMER DRAWING	CAGE CODE 00779	DRAWING NO C=1612898
			SCALE 8/1	SHEET 1 OF 1
				REV 0