

PLEASE CHECK WWW.MOLEX.COM FOR LATEST PART INFORMATION

Part Number: [0622023800](#)
Status: **Active**
Overview: [Application Tooling](#)
Description: DDR3 DIMM Memory Module Extraction Tool

Documents:

[RoHS Certificate of Compliance \(PDF\)](#)

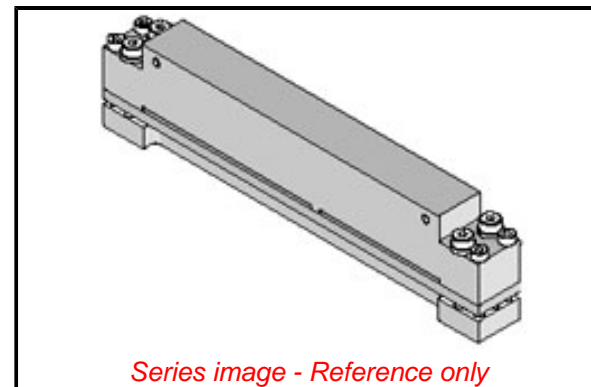
General

Product Family	Application Tooling
Series	207121
Comments	See Tooling Specification (PDF) Above; Type: EXTRACTOR
Function	Crimp
Geographic Area	Global
Level of Automation	Manual
More Detailed Tech Information	applicationtooling@molex.com
Overview	Application Tooling
Product Name	N/A
Taxonomy	Crimp Presses and Crimp Hand T
Tool Type	Extraction Hand Tool
UPC	883906114091
Warranty Disclaimer	CAUTION: Molex tooling crimp specifications are valid only when used with Molex terminals and tooling manufactured by Molex and sold by Molex or authorized distributors ("Molex Tooling"). When using tooling other than Molex Tooling with Molex specific connector systems listed in our ATS documents, the Molex tooling qualification does not apply and the responsibility for full qualification of the connector system is that of the customer. Molex accepts no liability for connector performance or tooling support where tooling other than Molex Tooling is used or where Molex Tooling is modified.

Material Info

Reference - Drawing Numbers

Application Tooling Documents [ATS-622023800-001](#)



Series image - Reference only

EU ELV

Not Relevant

EU RoHS

Not Reviewed

REACH SVHC

Not Reviewed

Halogen-Free

Status

Not Relevant

For more information, please visit [Contact US](#)

China ROHS

Not Relevant

ELV

Not Relevant

RoHS Phthalates

Not Reviewed

Search Parts in this Series

[207121 Series](#)

Application Tooling | **FAQ**
Description | **Product #**

1.00mm Pitch DDR3 [782940001](#)

DIMM Socket, Vertical, Press-Fit, with Pegs, Black Housing and Latches, 0.76µm Gold (Au) Plating, 3.30mm Compliant Pin Length, 3.60mm PCB Thickness, 240 Circuits, Lead-Free 1.00mm Pitch

[783150001](#)

Aerodynamic DDR3 DIMM Socket, Very Low Profile, Vertical, Press-Fit, with Pegs, Black Housing and Latches, 0.76µm Gold (Au) Plating, 1.85mm Compliant Pin Length, 2.40mm

PCB Thickness, 240
Circuits, Lead-Free
1.00mm Pitch 783150011
Aerodynamic DDR3
DIMM Socket, Very
Low Profile, Vertical,
Press-Fit, with Pegs,
Black Housing and
Latches, 0.76µm
Gold (Au) Plating,
2.85mm Compliant
Pin Length, 2.60mm
PCB Thickness, 240
Circuits, Lead-Free
1mm DDR3 Vt PF 784430102
LLLCR Blk .76AuLF
240Ckt
1.00mm Pitch DDR3 784431001
DIMM Socket, Low
LLCR, Press Fit,
Vertical, with Pegs,
Black Housing and
Latches, 0.76µm
Gold (Au) Plating,
3.30mm Solder Tail
Length, 2.36mm
PCB Thickness, 1.5V
Center Voltage Key,
240 Circuits, Lead
Free

This document was generated on 11/23/2022

PLEASE CHECK WWW.MOLEX.COM FOR LATEST PART INFORMATION