



STANDARD EXECUTIONS

AISI 304 stainless steel base with holes for ground mounting, AISI 303 stainless steel threaded blind stem or ball joint.

AISI 304 stainless steel screw and nut.

- **LMY.F**: with adjusting hexagon.

- **LMY.F-HS**: with hexagon socket at the upper end and spanner flats at the base.

- **LMY.F-EH**: with hexagon upper end and spanner flats at the base.

- **LMY.F-HV**: with AISI 303 stainless steel adjustable sleeve for the protection of the threading and spanner flats at the base.

- **AS index**: with NBR rubber no-slip disk (PERBUNAN), hardness 70 Shore A, black colour.

FEATURES

The convex shape of the base in the stem supporting point reduces the deposit of dirt and simplifies the cleaning operations.

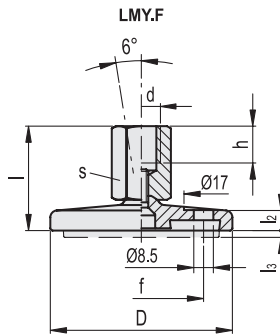
The sleeve covering the threaded part of the stem (LMY.F-HV) is adjustable and reduces the deposit of dirt.

TECHNICAL DATA

The static load values in the table below are the result of laboratory tests in which the load has been applied perpendicularly to the base. Such values have to be considered as purely indicative and must be verified under the specific conditions of use.

Under common working conditions, side or angular loading increases the stress on the levelling element and reduces its carrying capacity.

It's the user's responsibility to determine, case by case, whether the product is suitable for the intended use.



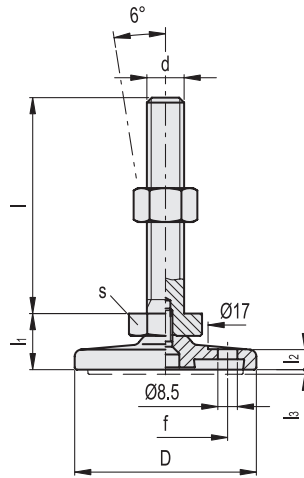
Conversion Table	
1 mm = 0.039 inch	
D	
mm	inch
80	3.15
100	3.94
120	4.72

LMY.F (d)		LMY.F-AS (d)		D	d	l	l2	l3#	h	s	f	Static load [N]
408001	LMY.F-80-SST-M8	408151	LMY.F-80-AS-SST-M8	80	M8	34	8.5	2	8	14	54.5	17000
408002	LMY.F-80-SST-M10	408152	LMY.F-80-AS-SST-M10	80	M10	37	8.5	2	10	14	54.5	17000
408003	LMY.F-80-SST-M12	408153	LMY.F-80-AS-SST-M12	80	M12	40	8.5	2	12	17	54.5	17000
408004	LMY.F-80-SST-M16	408154	LMY.F-80-AS-SST-M16	80	M16	46	8.5	2	16	22	54.5	17000
408005	LMY.F-80-SST-M20	408155	LMY.F-80-AS-SST-M20	80	M20	54	8.5	2	20	27	54.5	28000
408007	LMY.F-100-SST-M8	408157	LMY.F-100-AS-SST-M8	100	M8	35	9	3	8	14	70.5	17000
408008	LMY.F-100-SST-M10	408158	LMY.F-100-AS-SST-M10	100	M10	38	9	3	10	14	70.5	17000
408009	LMY.F-100-SST-M12	408159	LMY.F-100-AS-SST-M12	100	M12	41	9	3	12	17	70.5	17000
408010	LMY.F-100-SST-M16	408160	LMY.F-100-AS-SST-M16	100	M16	47	9	3	16	22	70.5	17000
408011	LMY.F-100-SST-M20	408161	LMY.F-100-AS-SST-M20	100	M20	55	9	3	20	27	70.5	28000
408013	LMY.F-120-SST-M20	408163	LMY.F-120-AS-SST-M20	120	M20	59	12	3.5	20	27	95	28000

Levelling feet and supports

2 # Data with no-slip disk mounted.

Conversion Table	
1 mm = 0.039 inch	
D	
mm	inch
80	3.15
100	3.94



LMY.F (d - l)

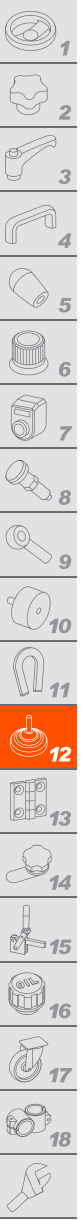
LMY.F-AS (d - l)

INOX STAINLESS STEEL METRIC

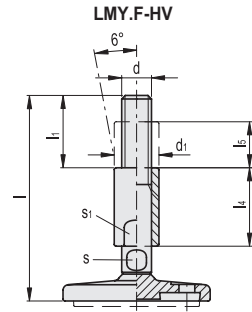
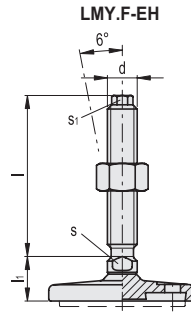
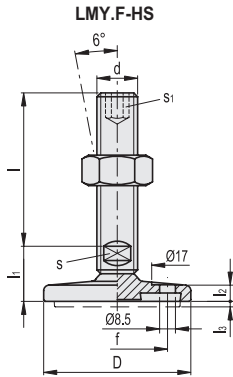
Code	Description	Code	Description	D	d	l	l1	l2	l3#	s	f	Static load [N]
408016	LMY.F-80-SST-M8x40	408166	LMY.F-80-AS-SST-M8x40	80	M8	40	19.5	8.5	2	17	54.5	6000
408017	LMY.F-80-SST-M8x50	408167	LMY.F-80-AS-SST-M8x50	80	M8	50	19.5	8.5	2	17	54.5	6000
408018	LMY.F-80-SST-M8x63	408168	LMY.F-80-AS-SST-M8x63	80	M8	63	19.5	8.5	2	17	54.5	6000
408020	LMY.F-80-SST-M10x50	408170	LMY.F-80-AS-SST-M10x50	80	M10	50	19.5	8.5	2	17	54.5	11000
408021	LMY.F-80-SST-M10x60	408171	LMY.F-80-AS-SST-M10x60	80	M10	60	19.5	8.5	2	17	54.5	11000
408022	LMY.F-80-SST-M10x80	408172	LMY.F-80-AS-SST-M10x80	80	M10	80	19.5	8.5	2	17	54.5	11000
408023	LMY.F-80-SST-M10x100	408173	LMY.F-80-AS-SST-M10x100	80	M10	100	19.5	8.5	2	17	54.5	11000
408025	LMY.F-80-SST-M12x60	408175	LMY.F-80-AS-SST-M12x60	80	M12	60	19.5	8.5	2	17	54.5	16000
408026	LMY.F-80-SST-M12x80	408176	LMY.F-80-AS-SST-M12x80	80	M12	80	19.5	8.5	2	17	54.5	16000
408027	LMY.F-80-SST-M12x100	408177	LMY.F-80-AS-SST-M12x100	80	M12	100	19.5	8.5	2	17	54.5	16000
408028	LMY.F-80-SST-M12x125	408178	LMY.F-80-AS-SST-M12x125	80	M12	125	19.5	8.5	2	17	54.5	16000
408071	LMY.F-100-SST-M8x40	408221	LMY.F-100-AS-SST-M8x40	100	M8	40	20.5	9	3	17	70.5	6000
408072	LMY.F-100-SST-M8x50	408222	LMY.F-100-AS-SST-M8x50	100	M8	50	20.5	9	3	17	70.5	6000
408073	LMY.F-100-SST-M8x63	408223	LMY.F-100-AS-SST-M8x63	100	M8	63	20.5	9	3	17	70.5	6000
408075	LMY.F-100-SST-M10x50	408225	LMY.F-100-AS-SST-M10x50	100	M10	50	20.5	9	3	17	70.5	11000
408076	LMY.F-100-SST-M10x60	408226	LMY.F-100-AS-SST-M10x60	100	M10	60	20.5	9	3	17	70.5	11000
408077	LMY.F-100-SST-M10x80	408227	LMY.F-100-AS-SST-M10x80	100	M10	80	20.5	9	3	17	70.5	11000
408078	LMY.F-100-SST-M10x100	408228	LMY.F-100-AS-SST-M10x100	100	M10	100	20.5	9	3	17	70.5	11000
408080	LMY.F-100-SST-M12x60	408230	LMY.F-100-AS-SST-M12x60	100	M12	60	20.5	9	3	17	70.5	16000
408081	LMY.F-100-SST-M12x80	408231	LMY.F-100-AS-SST-M12x80	100	M12	80	20.5	9	3	17	70.5	16000
408082	LMY.F-100-SST-M12x100	408232	LMY.F-100-AS-SST-M12x100	100	M12	100	20.5	9	3	17	70.5	16000
408083	LMY.F-100-SST-M12x125	408233	LMY.F-100-AS-SST-M12x125	100	M12	125	20.5	9	3	17	70.5	16000

Data with no-slip disk mounted.





Conversion Table	
1 mm = 0.039 inch	
D	
mm	inch
80	3.15
100	3.94
120	4.72



INOX STAINLESS STEEL METRIC

LMY.F-HS

LMY.F-AS-HS

Code	Description	Code	Description	D	d	l	l1	l2	l3#	s	s1	f	Static load [N]
408031	LMY.F-80-SST-M16x75-HS	408181	LMY.F-80-AS-SST-M16x75-HS	80	M16	75	25.5	8.5	2	12	8	54.5	17000
408033	LMY.F-80-SST-M16x100-HS	408183	LMY.F-80-AS-SST-M16x100-HS	80	M16	100	25.5	8.5	2	12	8	54.5	17000
408036	LMY.F-80-SST-M16x125-HS	408186	LMY.F-80-AS-SST-M16x125-HS	80	M16	125	25.5	8.5	2	12	8	54.5	17000
408039	LMY.F-80-SST-M16x150-HS	408189	LMY.F-80-AS-SST-M16x150-HS	80	M16	150	25.5	8.5	2	12	8	54.5	17000
408042	LMY.F-80-SST-M16x200-HS	408192	LMY.F-80-AS-SST-M16x200-HS	80	M16	200	25.5	8.5	2	12	8	54.5	17000
408044	LMY.F-80-SST-M20x75-HS	408194	LMY.F-80-AS-SST-M20x75-HS	80	M20	75	27	8.5	2	15	10	54.5	28000
408046	LMY.F-80-SST-M20x100-HS	408196	LMY.F-80-AS-SST-M20x100-HS	80	M20	100	27	8.5	2	15	10	54.5	28000
408048	LMY.F-80-SST-M20x125-HS	408198	LMY.F-80-AS-SST-M20x125-HS	80	M20	125	27	8.5	2	15	10	54.5	28000
408051	LMY.F-80-SST-M20x150-HS	408201	LMY.F-80-AS-SST-M20x150-HS	80	M20	150	27	8.5	2	15	10	54.5	28000
408055	LMY.F-80-SST-M20x200-HS	408205	LMY.F-80-AS-SST-M20x200-HS	80	M20	200	27	8.5	2	15	10	54.5	28000
408059	LMY.F-80-SST-M24x100-HS	408209	LMY.F-80-AS-SST-M24x100-HS	80	M24	100	30.5	8.5	2	19	12	54.5	46000
408060	LMY.F-80-SST-M24x125-HS	408210	LMY.F-80-AS-SST-M24x125-HS	80	M24	125	30.5	8.5	2	19	12	54.5	46000
408062	LMY.F-80-SST-M24x150-HS	408212	LMY.F-80-AS-SST-M24x150-HS	80	M24	150	30.5	8.5	2	19	12	54.5	46000
408065	LMY.F-80-SST-M24x200-HS	408215	LMY.F-80-AS-SST-M24x200-HS	80	M24	200	30.5	8.5	2	19	12	54.5	46000
408086	LMY.F-100-SST-M16x75-HS	408236	LMY.F-100-AS-SST-M16x75-HS	100	M16	75	26.5	9	3	12	8	70.5	17000
408088	LMY.F-100-SST-M16x100-HS	408238	LMY.F-100-AS-SST-M16x100-HS	100	M16	100	26.5	9	3	12	8	70.5	17000
408091	LMY.F-100-SST-M16x125-HS	408241	LMY.F-100-AS-SST-M16x125-HS	100	M16	125	26.5	9	3	12	8	70.5	17000
408094	LMY.F-100-SST-M16x150-HS	408244	LMY.F-100-AS-SST-M16x150-HS	100	M16	150	26.5	9	3	12	8	70.5	17000
408097	LMY.F-100-SST-M16x200-HS	408247	LMY.F-100-AS-SST-M16x200-HS	100	M16	200	26.5	9	3	12	8	70.5	17000
408099	LMY.F-100-SST-M20x75-HS	408249	LMY.F-100-AS-SST-M20x75-HS	100	M20	75	28	9	3	15	10	70.5	28000
408101	LMY.F-100-SST-M20x100-HS	408251	LMY.F-100-AS-SST-M20x100-HS	100	M20	100	28	9	3	15	10	70.5	28000
408103	LMY.F-100-SST-M20x125-HS	408253	LMY.F-100-AS-SST-M20x125-HS	100	M20	125	28	9	3	15	10	70.5	28000
408106	LMY.F-100-SST-M20x150-HS	408256	LMY.F-100-AS-SST-M20x150-HS	100	M20	150	28	9	3	15	10	70.5	28000
408110	LMY.F-100-SST-M20x200-HS	408260	LMY.F-100-AS-SST-M20x200-HS	100	M20	200	28	9	3	15	10	70.5	28000
408114	LMY.F-100-SST-M24x100-HS	408264	LMY.F-100-AS-SST-M24x100-HS	100	M24	100	31.5	9	3	19	12	70.5	46000
408115	LMY.F-100-SST-M24x125-HS	408265	LMY.F-100-AS-SST-M24x125-HS	100	M24	125	31.5	9	3	19	12	70.5	46000
408117	LMY.F-100-SST-M24x150-HS	408267	LMY.F-100-AS-SST-M24x150-HS	100	M24	150	31.5	9	3	19	12	70.5	46000
408120	LMY.F-100-SST-M24x200-HS	408270	LMY.F-100-AS-SST-M24x200-HS	100	M24	200	31.5	9	3	19	12	70.5	46000
408126	LMY.F-120-SST-M20x75-HS	408276	LMY.F-120-AS-SST-M20x75-HS	120	M20	75	32	12	3.5	15	10	95	28000
408127	LMY.F-120-SST-M20x100-HS	408277	LMY.F-120-AS-SST-M20x100-HS	120	M20	100	32	12	3.5	15	10	95	28000
408128	LMY.F-120-SST-M20x125-HS	408278	LMY.F-120-AS-SST-M20x125-HS	120	M20	125	32	12	3.5	15	10	95	28000
408129	LMY.F-120-SST-M20x150-HS	408279	LMY.F-120-AS-SST-M20x150-HS	120	M20	150	32	12	3.5	15	10	95	28000
408130	LMY.F-120-SST-M20x200-HS	408280	LMY.F-120-AS-SST-M20x200-HS	120	M20	200	32	12	3.5	15	10	95	28000
408132	LMY.F-120-SST-M24x100-HS	408282	LMY.F-120-AS-SST-M24x100-HS	120	M24	100	35.5	12	3.5	19	12	95	46000
408133	LMY.F-120-SST-M24x125-HS	408283	LMY.F-120-AS-SST-M24x125-HS	120	M24	125	35.5	12	3.5	19	12	95	46000
408134	LMY.F-120-SST-M24x150-HS	408284	LMY.F-120-AS-SST-M24x150-HS	120	M24	150	35.5	12	3.5	19	12	95	46000
408135	LMY.F-120-SST-M24x200-HS	408285	LMY.F-120-AS-SST-M24x200-HS	120	M24	200	35.5	12	3.5	19	12	95	46000
408137	LMY.F-120-SST-M30x100-HS	408287	LMY.F-120-AS-SST-M30x100-HS	120	M30	100	39.5	12	3.5	24	12	95	43000
408138	LMY.F-120-SST-M30x125-HS	408288	LMY.F-120-AS-SST-M30x125-HS	120	M30	125	39.5	12	3.5	24	12	95	43000
408139	LMY.F-120-SST-M30x150-HS	408289	LMY.F-120-AS-SST-M30x150-HS	120	M30	150	39.5	12	3.5	24	12	95	43000
408140	LMY.F-120-SST-M30x200-HS	408290	LMY.F-120-AS-SST-M30x200-HS	120	M30	200	39.5	12	3.5	24	12	95	43000

Levelling feet and supports

4 # Data with no-slip disk mounted.

Conversion Table	
1 mm = 0.039 inch	
D	
mm	inch
80	3.15
100	3.94

LMY.F-EH

LMY.F-AS-EH

INOX STAINLESS STEEL METRIC

Code	Description	Code	Description	D	d	l	l1	l2	l3#	s	st	f	Static load [N]
408030	LMY.F-80-SST-M16x75-EH	408180	LMY.F-80-AS-SST-M16x75-EH	80	M16	75	21.5	8.5	2	12	10	54.5	21000
408032	LMY.F-80-SST-M16x100-EH	408182	LMY.F-80-AS-SST-M16x100-EH	80	M16	100	21.5	8.5	2	12	10	54.5	21000
408035	LMY.F-80-SST-M16x125-EH	408185	LMY.F-80-AS-SST-M16x125-EH	80	M16	125	21.5	8.5	2	12	10	54.5	21000
408038	LMY.F-80-SST-M16x150-EH	408188	LMY.F-80-AS-SST-M16x150-EH	80	M16	150	21.5	8.5	2	12	10	54.5	21000
408045	LMY.F-80-SST-M20x100-EH	408195	LMY.F-80-AS-SST-M20x100-EH	80	M20	100	23	8.5	2	16	13	54.5	35000
408047	LMY.F-80-SST-M20x125-EH	408197	LMY.F-80-AS-SST-M20x125-EH	80	M20	125	23	8.5	2	16	13	54.5	35000
408050	LMY.F-80-SST-M20x150-EH	408200	LMY.F-80-AS-SST-M20x150-EH	80	M20	150	23	8.5	2	16	13	54.5	35000
408054	LMY.F-80-SST-M20x200-EH	408204	LMY.F-80-AS-SST-M20x200-EH	80	M20	200	23	8.5	2	16	13	54.5	35000
408058	LMY.F-80-SST-M24x100-EH	408208	LMY.F-80-AS-SST-M24x100-EH	80	M24	100	26	8.5	2	20	17	54.5	52000
408061	LMY.F-80-SST-M24x150-EH	408211	LMY.F-80-AS-SST-M24x150-EH	80	M24	150	26	8.5	2	20	17	54.5	52000
408064	LMY.F-80-SST-M24x200-EH	408214	LMY.F-80-AS-SST-M24x200-EH	80	M24	200	26	8.5	2	20	17	54.5	52000
408085	LMY.F-100-SST-M16x75-EH	408235	LMY.F-100-AS-SST-M16x75-EH	100	M16	75	22.5	9	3	12	10	70.5	21000
408087	LMY.F-100-SST-M16x100-EH	408237	LMY.F-100-AS-SST-M16x100-EH	100	M16	100	22.5	9	3	12	10	70.5	21000
408090	LMY.F-100-SST-M16x125-EH	408240	LMY.F-100-AS-SST-M16x125-EH	100	M16	125	22.5	9	3	12	10	70.5	21000
408093	LMY.F-100-SST-M16x150-EH	408243	LMY.F-100-AS-SST-M16x150-EH	100	M16	150	22.5	9	3	12	10	70.5	21000
408100	LMY.F-100-SST-M20x100-EH	408250	LMY.F-100-AS-SST-M20x100-EH	100	M20	100	24	9	3	16	13	70.5	35000
408102	LMY.F-100-SST-M20x125-EH	408252	LMY.F-100-AS-SST-M20x125-EH	100	M20	125	24	9	3	16	13	70.5	35000
408105	LMY.F-100-SST-M20x150-EH	408255	LMY.F-100-AS-SST-M20x150-EH	100	M20	150	24	9	3	16	13	70.5	35000
408109	LMY.F-100-SST-M20x200-EH	408259	LMY.F-100-AS-SST-M20x200-EH	100	M20	200	24	9	3	16	13	70.5	35000
408113	LMY.F-100-SST-M24x100-EH	408263	LMY.F-100-AS-SST-M24x100-EH	100	M24	100	27	9	3	20	17	70.5	52000
408116	LMY.F-100-SST-M24x150-EH	408266	LMY.F-100-AS-SST-M24x150-EH	100	M24	150	27	9	3	20	17	70.5	52000
408119	LMY.F-100-SST-M24x200-EH	408269	LMY.F-100-AS-SST-M24x200-EH	100	M24	200	27	9	3	20	17	70.5	52000

LMY.F-HV

LMY.F-AS-HV

INOX STAINLESS STEEL METRIC

Code	Description	Code	Description	D	d	d1	l	l1	l2	l3#	l4	l5	s	st	f	Static load [N]
408034	LMY.F-80-SST-M16x118-HV	408184	LMY.F-80-AS-SST-M16x118-HV	80	M16	24	118	45	8.5	2	45	29	12	20	54.5	25000
408037	LMY.F-80-SST-M16x143-HV	408187	LMY.F-80-AS-SST-M16x143-HV	80	M16	24	143	45	8.5	2	45	29	12	20	54.5	25000
408040	LMY.F-80-SST-M16x168-HV	408190	LMY.F-80-AS-SST-M16x168-HV	80	M16	24	168	45	8.5	2	45	29	12	20	54.5	25000
408041	LMY.F-80-SST-M16x193-HV	408191	LMY.F-80-AS-SST-M16x193-HV	80	M16	24	193	45	8.5	2	45	29	12	20	54.5	25000
408049	LMY.F-80-SST-M20x143-HV	408199	LMY.F-80-AS-SST-M20x143-HV	80	M20	30	143	56	8.5	2	56	36	16	24	54.5	35000
408052	LMY.F-80-SST-M20x168-HV	408202	LMY.F-80-AS-SST-M20x168-HV	80	M20	30	168	56	8.5	2	56	36	16	24	54.5	35000
408053	LMY.F-80-SST-M20x193-HV	408203	LMY.F-80-AS-SST-M20x193-HV	80	M20	30	193	56	8.5	2	56	36	16	24	54.5	35000
408056	LMY.F-80-SST-M20x243-HV	408206	LMY.F-80-AS-SST-M20x243-HV	80	M20	30	243	56	8.5	2	56	36	16	24	54.5	35000
408063	LMY.F-80-SST-M24x168-HV	408213	LMY.F-80-AS-SST-M24x168-HV	80	M24	35	168	67	8.5	2	67	42	20	30	54.5	52000
408066	LMY.F-80-SST-M24x218-HV	408216	LMY.F-80-AS-SST-M24x218-HV	80	M24	35	218	67	8.5	2	67	42	20	30	54.5	52000
408067	LMY.F-80-SST-M24x268-HV	408217	LMY.F-80-AS-SST-M24x268-HV	80	M24	35	268	67	8.5	2	67	42	20	30	54.5	52000
408089	LMY.F-100-SST-M16x119-HV	408239	LMY.F-100-AS-SST-M16x119-HV	100	M16	24	119	45	9	3	45	32	12	20	70.5	25000
408092	LMY.F-100-SST-M16x144-HV	408242	LMY.F-100-AS-SST-M16x144-HV	100	M16	24	144	45	9	3	45	32	12	20	70.5	25000
408095	LMY.F-100-SST-M16x169-HV	408245	LMY.F-100-AS-SST-M16x169-HV	100	M16	24	169	45	9	3	45	32	12	20	70.5	25000
408096	LMY.F-100-SST-M16x194-HV	408246	LMY.F-100-AS-SST-M16x194-HV	100	M16	24	194	45	9	3	45	32	12	20	70.5	25000
408104	LMY.F-100-SST-M20x144-HV	408254	LMY.F-100-AS-SST-M20x144-HV	100	M20	30	144	56	9	3	56	40	16	24	70.5	35000
408107	LMY.F-100-SST-M20x169-HV	408257	LMY.F-100-AS-SST-M20x169-HV	100	M20	30	169	56	9	3	56	40	16	24	70.5	35000
408108	LMY.F-100-SST-M20x194-HV	408258	LMY.F-100-AS-SST-M20x194-HV	100	M20	30	194	56	9	3	56	40	16	24	70.5	35000
408111	LMY.F-100-SST-M20x244-HV	408261	LMY.F-100-AS-SST-M20x244-HV	100	M20	30	244	56	9	3	56	40	16	24	70.5	35000
408118	LMY.F-100-SST-M24x169-HV	408268	LMY.F-100-AS-SST-M24x169-HV	100	M24	35	169	67	9	3	67	48	20	30	70.5	52000
408121	LMY.F-100-SST-M24x219-HV	408271	LMY.F-100-AS-SST-M24x219-HV	100	M24	35	219	67	9	3	67	48	20	30	70.5	52000
408122	LMY.F-100-SST-M24x269-HV	408272	LMY.F-100-AS-SST-M24x269-HV	100	M24	35	269	67	9	3	67	48	20	30	70.5	52000

Data with no-slip disk mounted.

