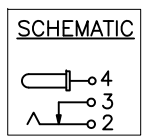
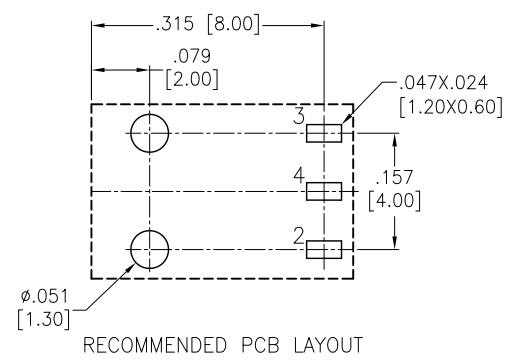
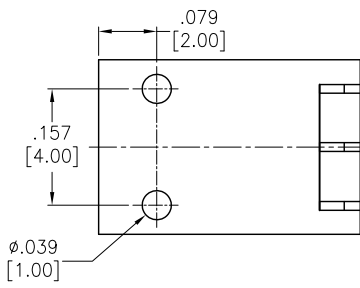
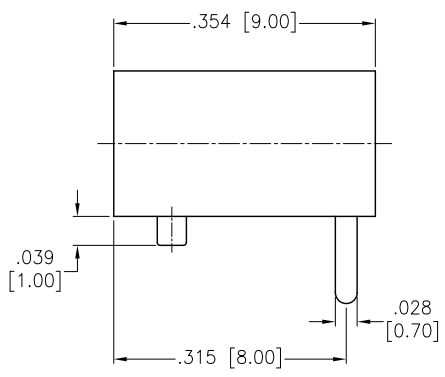
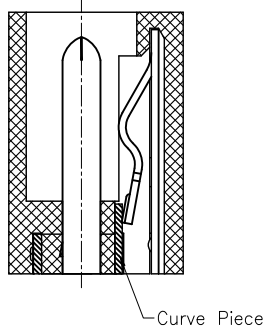
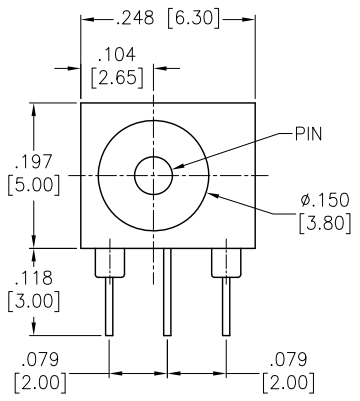


APPROVED: _____
 DATE: _____ TITLE: _____

Rev	AWO #	Description	Date	Appr
-		RELEASED	11/24/16	



SPECIFICATIONS:
 Material:
 Insulator: Hi-Temp Thermoplastic, rated UL 94V-0
 Insulator color: Black
 Pin: Brass, Tin plated
 Spring piece: Stainless Steel, Tin plated
 Curve Piece: Brass, Tin plated
 Electrical:
 Rating: DC 30V, 1.0A
 Contact resistance: 30 mohms max.
 Insulation resistance: 100 Mohms min @250 VDC.
 Dielectric withstanding voltage: 500 VAC
 Environmental:
 Lead free, RoHS compliant



PACKAGED ON TAPE & REEL

UNLESS OTHERWISE SPECIFIED ALL DIMENSIONS ARE INCHES [MM] TOLERANCES: EXCEPT AS NOTED INCHES HOLES	
.X ± .10	Ø.X ± .10
.XX ± .020	Ø.XX ± .015
.XXX ± .015	Ø.XXX ± .010
APPROVALS	
DRAWN	AY
CHECKED	AC
APPROVED	
DATE	
	11/24/16
	11/24/16

PART NO.	CENTER PIN DIA.
ADC-029S-3-HT-T/R	.039 [1.00]
ADC-029S-4-HT-T/R	.051 [1.30]

ADAM TECH
 909 Rahway Avenue, Union, NJ 07083
 Phone: 908-687-5000 Fax: 908-687-5710

TITLE
DC POWER JACK, 1.00mm, 1.30mm CENTER PIN

SIZE	PART NO.	REV.
X	ADC-029S-X-HT-T/R	-
REF:	S00102C	SCALE: NTS
		SHEET 1 OF 1

6

5

4

3

2

1

6

5

4

3

2

1