

Broadband Amplifier

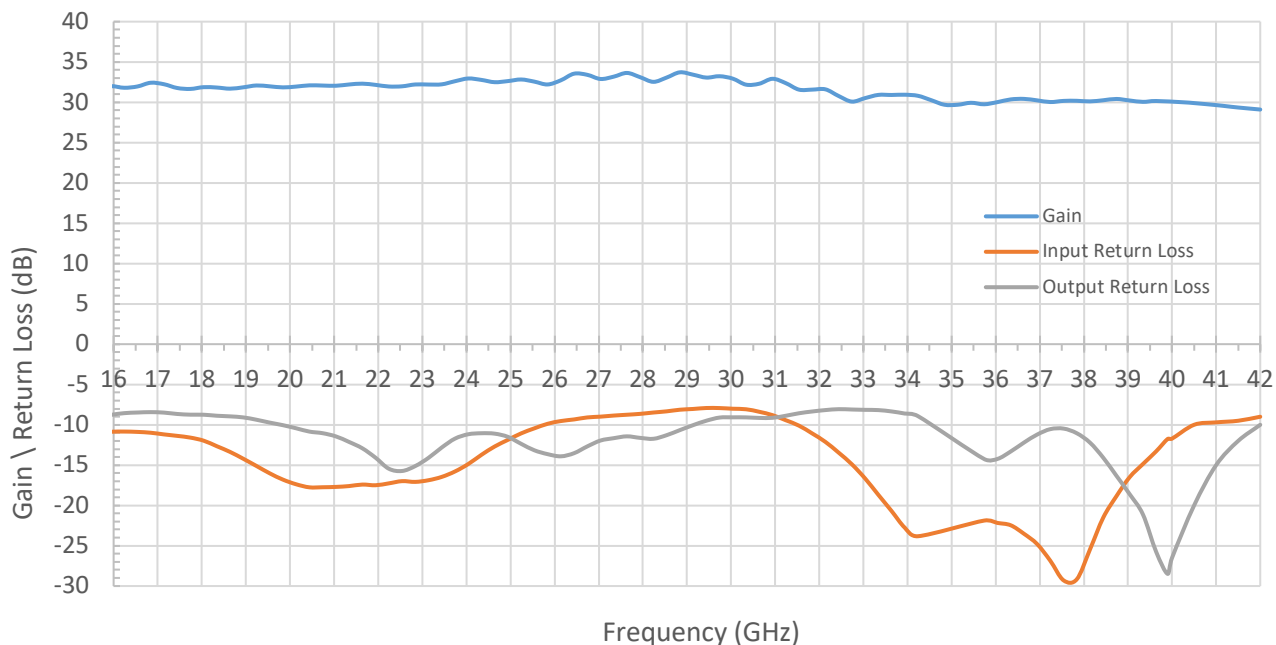
P/N: QMC-AMPK-30253217HF

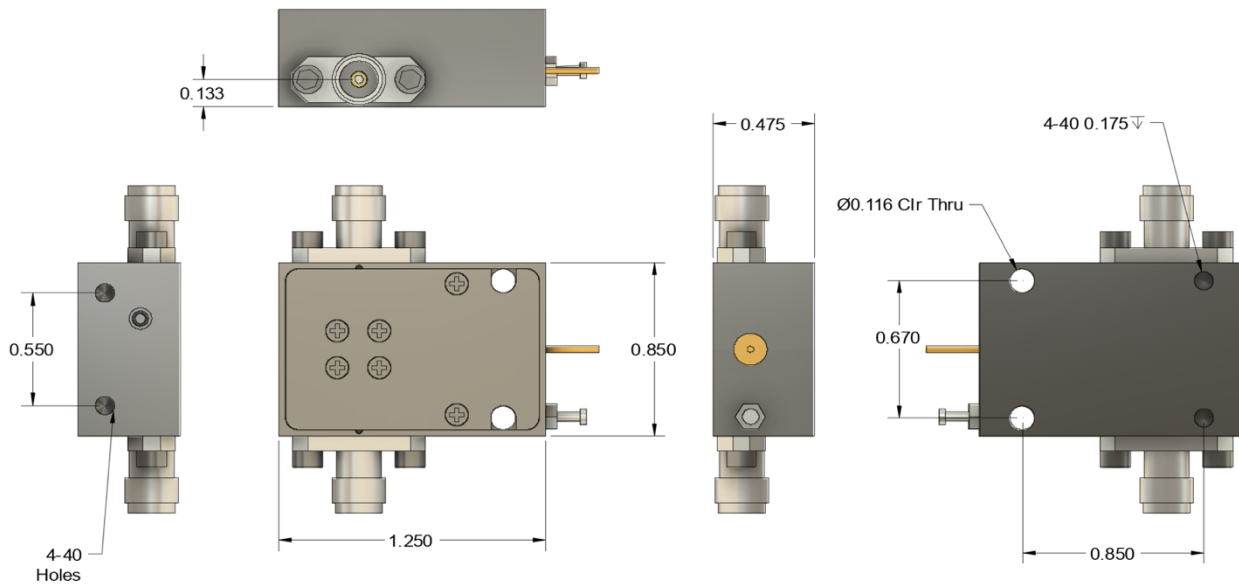
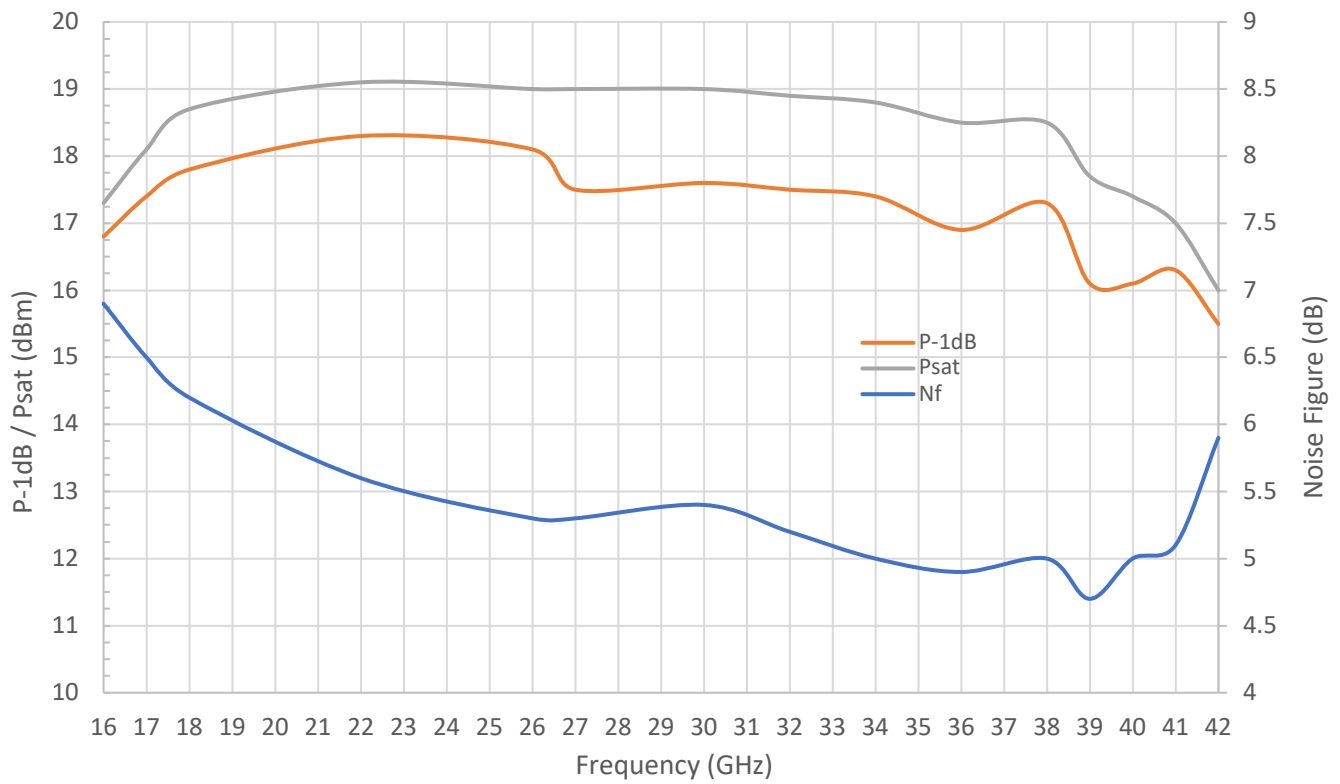
This is a broadband general purpose amplifier with good noise figure, high output power, and integrated fan assembly (QMC-HS-FAN). The QMC-AMPK-30253217HF was designed for general use. The integrated fan assembly allows for long interval use.

- Broadband
- Low noise figure
- Integrated fan assembly
- High output power

Parameter	Specification	Notes
Frequency	17.0 to 42.0 GHz	
Gain	32 dB typ	
P-1dB	+17 dBm typ	+15 dBm min
Return Loss	10 dB typ	
Connectors In/Out	2.92mm (F)	
Noise Figure	5.4 dB typ	7 dB max
Bias	+8 to +12 VDC @ 400 mA	
Psat	+18.5 dBm Typ	Max Input Power: +8 dBm

Measured Data (Typical)





See Quantum Microwave part number QMC-HS-FAN for heatsink and fan dimensions.