

Description: 2012 MB/HB-n78 Diplexer

PART NUMBER: DPX2012LKHHR1931L

Features:

- Compact Size
- Low loss
- High Soldering Heat Resistance

Applications:

- For LTE application.

ELECTRICAL SPECIFICATIONS

Low-Band

Item	Frequency Range(MHz)	Min.	Typ.	Max.
Insertion Loss (dB)	1710~1980	-	0.80	1.00
	2110~2170	-	1.00	1.30
	2170~2180	-	1.10	1.40
	2180~2200	-	1.35	1.85
Return Loss (dB)	1710~2200	10	13.0	-
Attenuation (dB)	2496~2500	10	14.5	-
	2500~2690	11	15.0	-

High-Band

Item	Frequency Range(MHz)	Min.	Typ.	Max.
Insertion Loss (dB)	2496~2500	-	1.05	1.35
	2500~2690	-	1.00	1.30
	3300~3550	-	0.40	0.80
	3550~3700	-	0.30	0.80
	3700~3800	-	0.30	0.80
Return Loss (dB)	2496~3800	10	18.0	-
Attenuation (dB)	1710~1980	11	13.5	-
	2110~2170	11	16.5	-
	2170~2180	10	15.5	-
	2180~2200	8	13.5	-

Common

Item	Frequency Range(MHz)	Min.	Typ.	Max.
Return Loss (dB)	1710~2200	10	13.0	-
	2496~3800	10	18.0	-

Operating Temperature Range : -40~85°C

Power Capacity : 3W max.

In the effort to improve our products, we reserve the right to make changes judged to be necessary.

CONFIDENTIAL AND PROPRIETARY INFORMATION

This document contains confidential and proprietary information of Pulse Electronics, Inc. (Pulse) and is protected by copyright, trade secret and other state and federal laws. Its receipt or possession does not convey any rights to reproduce, disclose its contents, or to manufacture, use or sell anything it may describe. Reproduction, disclosure or use without specific written authorization of Pulse is strictly forbidden.

For more information:

Pulse Worldwide Headquarters  
15255 Innovation Drive #100  
San Diego, CA 92128  
USA  
Tel:1-858-674-8100

Pulse/Larsen Antennas  
18110 SE 34<sup>th</sup> St Bldg 2 Suite 250  
Vancouver, WA 98683  
USA  
Tel: 1-360-944-7551

Europe Headquarters  
Pulse GmbH & Do, KG  
Zeppelinstrasse 15  
Herrenberg, Germany  
Tel: 49 7032 7806 0

Pulse (Suzhou) Wireless Products Co, Inc.  
99 Huo Ju Road(#29 Bldg,4<sup>th</sup> Phase  
Suzhou New District  
Jiangsu Province, Suzhou 215009 PR China  
Tel: 86 512 6807 9998

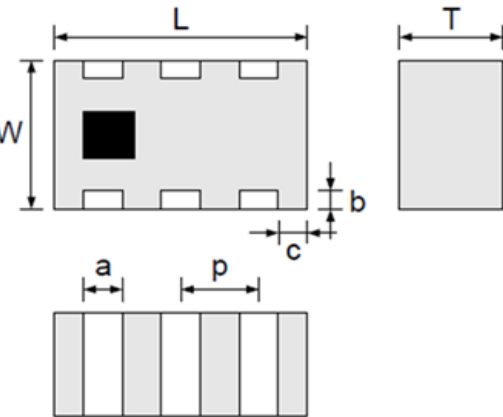


Description: 2012 MB/HB-n78 Diplexer

PART NUMBER: DPX2012LKHHR1931L

**MECHANICAL DIMENSION**

Outline

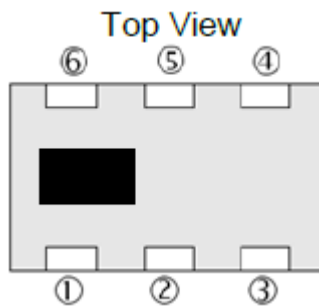


Dimension

L	W	T	a
2.00±0.15	1.25±0.15	0.90±0.10	0.30±0.15
b	c	p	
0.20±0.15	0.20±0.15	0.65±0.15	

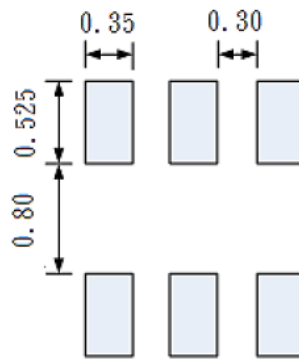
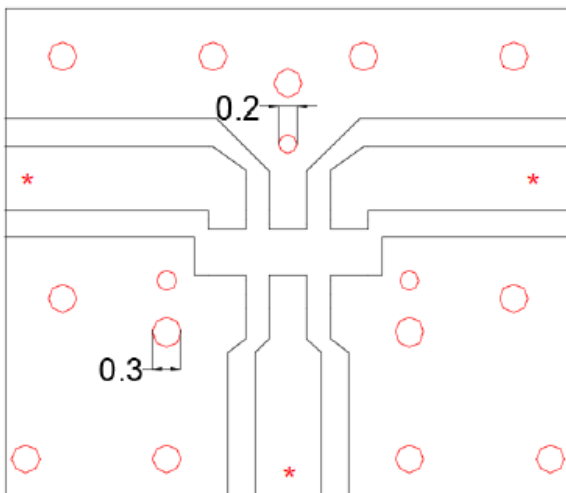
NOTE : Dimensions in mm.

Termination

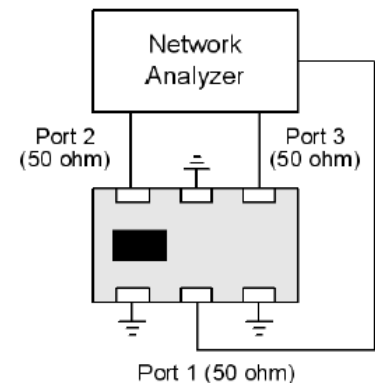


Terminal name	Function
P1	GND
P2	Common
P3	GND
P4	Low band
P5	GND
P6	High band

**Recommended Land Pattern**



Unit : mm



Test Instrument :  
Agilent E5071C Network Analyzer or equivalent.

Line width should be designed to match 50Ω characteristic impedance, depending on PCB material and thickness.

In the effort to improve our products, we reserve the right to make changes judged to be necessary.  
CONFIDENTIAL AND PROPRIETARY INFORMATION

This document contains confidential and proprietary information of Pulse Electronics, Inc. (Pulse) and is protected by copyright, trade secret and other state and federal laws. Its receipt or possession does not convey any rights to reproduce, disclose its contents, or to manufacture, use or sell anything it may describe. Reproduction, disclosure or use without specific written authorization of Pulse is strictly forbidden.

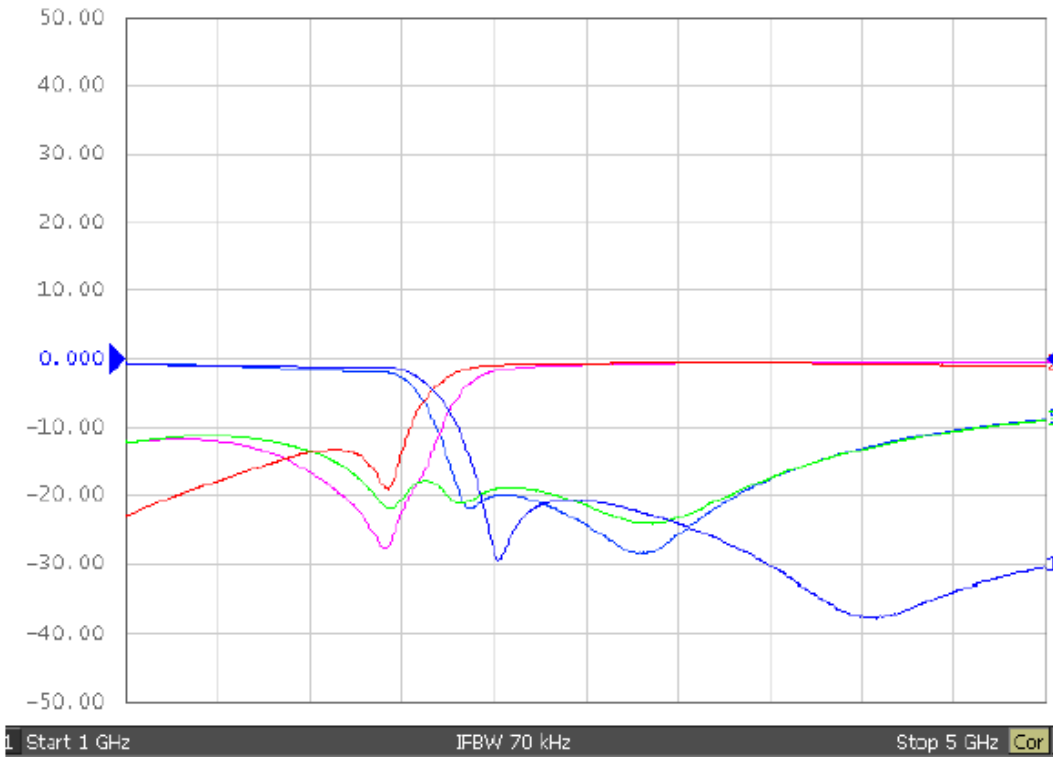
**Description: 2012 MB/HB-n78 Diplexer**

**PART NUMBER: DPX2012LKHHR1931L**

**ELECTRICAL PERFORMANCES**

Tr1 S21 Log Mag 10.00dB/ Ref 0.000dB [F3]  
 Tr2 S31 Log Mag 10.00dB/ Ref 0.000dB [F3]  
 Tr3 S11 Log Mag 10.00dB/ Ref 0.000dB [F3]  
 Tr4 S22 Log Mag 10.00dB/ Ref 0.000dB [F3]  
 Tr5 S33 Log Mag 10.00dB/ Ref 0.000dB [F3]

Test Instrument :  
 Agilent E5071C Network Analyzer  
 or equivalent.



Frequency Characteristics

**Description:** 2012 MB/HB-n78 Diplexer

**PART NUMBER:** DPX2012LKHHR1931L

### REVISION HISTORY

Revision	Date	Description
Version 1	Feb. 23, 2022	- New issue