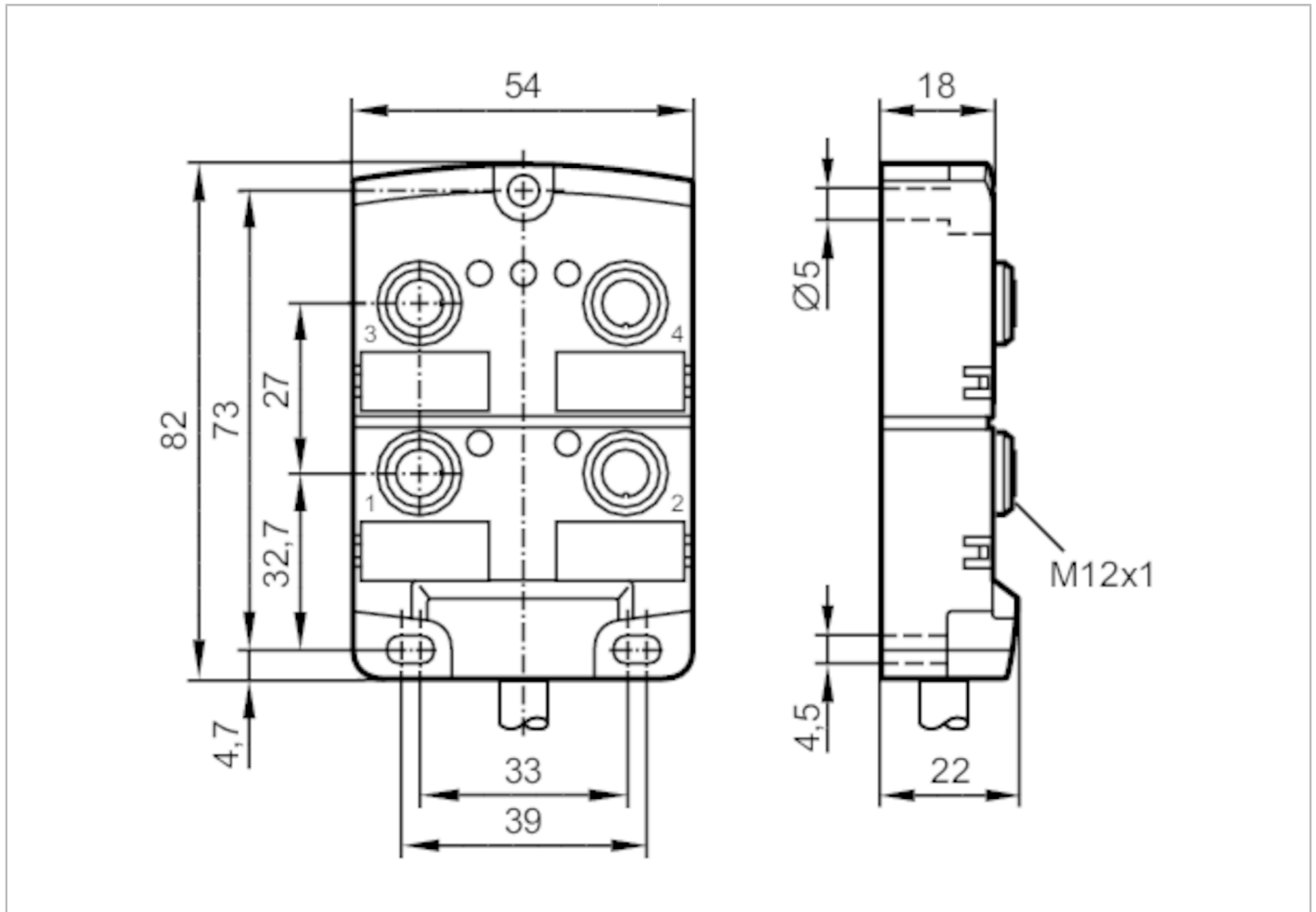


EBC027



Splitter box

ZDO4H055MSS0010H07



| Application | |
|---------------------------------------|--|
| Special feature | Free from silicone; Halogen-free; Gold-plated contacts; Drag chain suitability |
| Free from silicone | yes |
| Electrical data | |
| Operating voltage [V] | 10...30 DC; ("supply class 2" to cULus) |
| Protection class | II |
| Max. current load per module/slot [A] | 4 |
| Max. current load total [A] | 12 |
| Outputs | |
| Electrical design | PNP |
| Operating conditions | |
| Ambient temperature [°C] | -25...80 |
| Ambient temperature (moving) [°C] | -5...60 |
| Protection | IP 67; IP 68 |

EBC027



Splitter box

ZDO4H055MSS0010H07

| Mechanical data | | |
|------------------------------|---------------------------------|--------------------------|
| Weight | [g] | 970 |
| Dimensions | [mm] | 22 x 54 x 82 |
| Materials | | PA |
| Moulded-body material | | PA |
| Number of ports splitter box | | 4 |
| Connector type | | M12 |
| Drag chain suitability | | yes |
| Drag chain suitability | bending radius for flexible use | min. 10 x cable diameter |
| | bending cycles | > 2 Mio. |

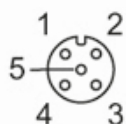
| Displays / operating elements | | |
|-------------------------------|------------------|-----------------|
| Display | switching status | 4 x LED, yellow |
| | operation | 1 x LED, green |

| Accessories | | |
|----------------|------------------|---|
| Items supplied | Protective caps: | 2 |
| | labels: | 4 |

| Remarks | | |
|---------------|--|--------|
| Pack quantity | | 1 pcs. |

| Electrical connection | | |
|--|--|--|
| Cable: 10 m, PUR, Halogen-free, black, Ø 7.5 mm; 4 x 0.34 mm ² (43 x Ø 0.1 mm) + 3 x 1 mm ² (55 x Ø 0.15 mm) | | |

| Electrical connection - slot | | |
|---|--|--|
| Connector: 4 x M12; coding: A; Moulded body: PA; Contacts: gold-plated; Tightening torque: 0.8...1.5 Nm | | |

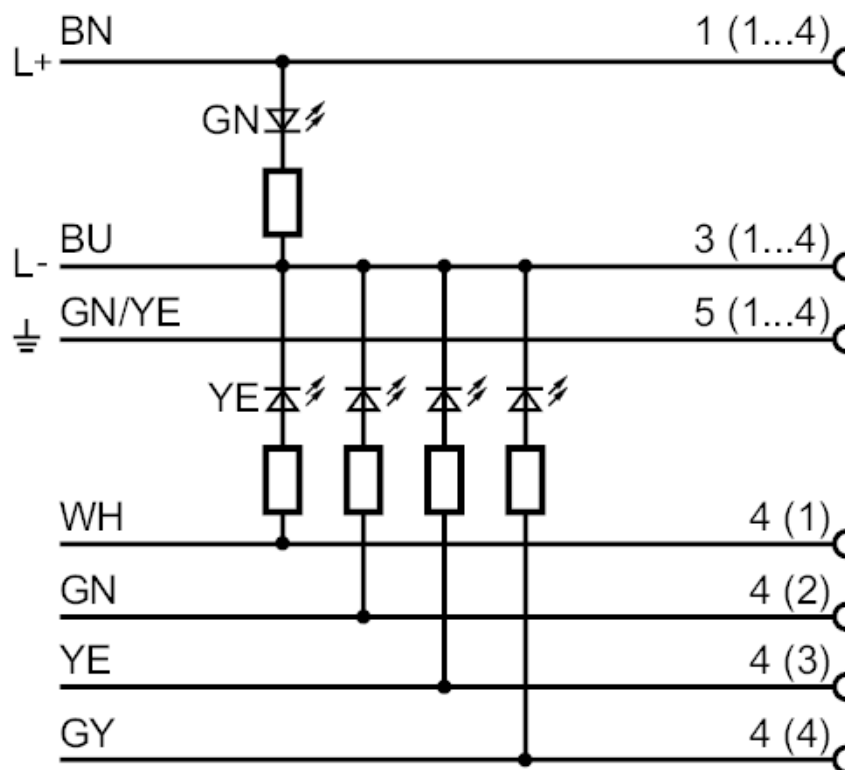




Splitter box

ZDO4H055MSS0010H07

Connection



Core colours :

| | |
|---------|--------------|
| BN = | brown |
| BU = | blue |
| GN = | green |
| GN/YE = | green/yellow |
| GY = | grey |
| WH = | white |
| YE = | yellow |