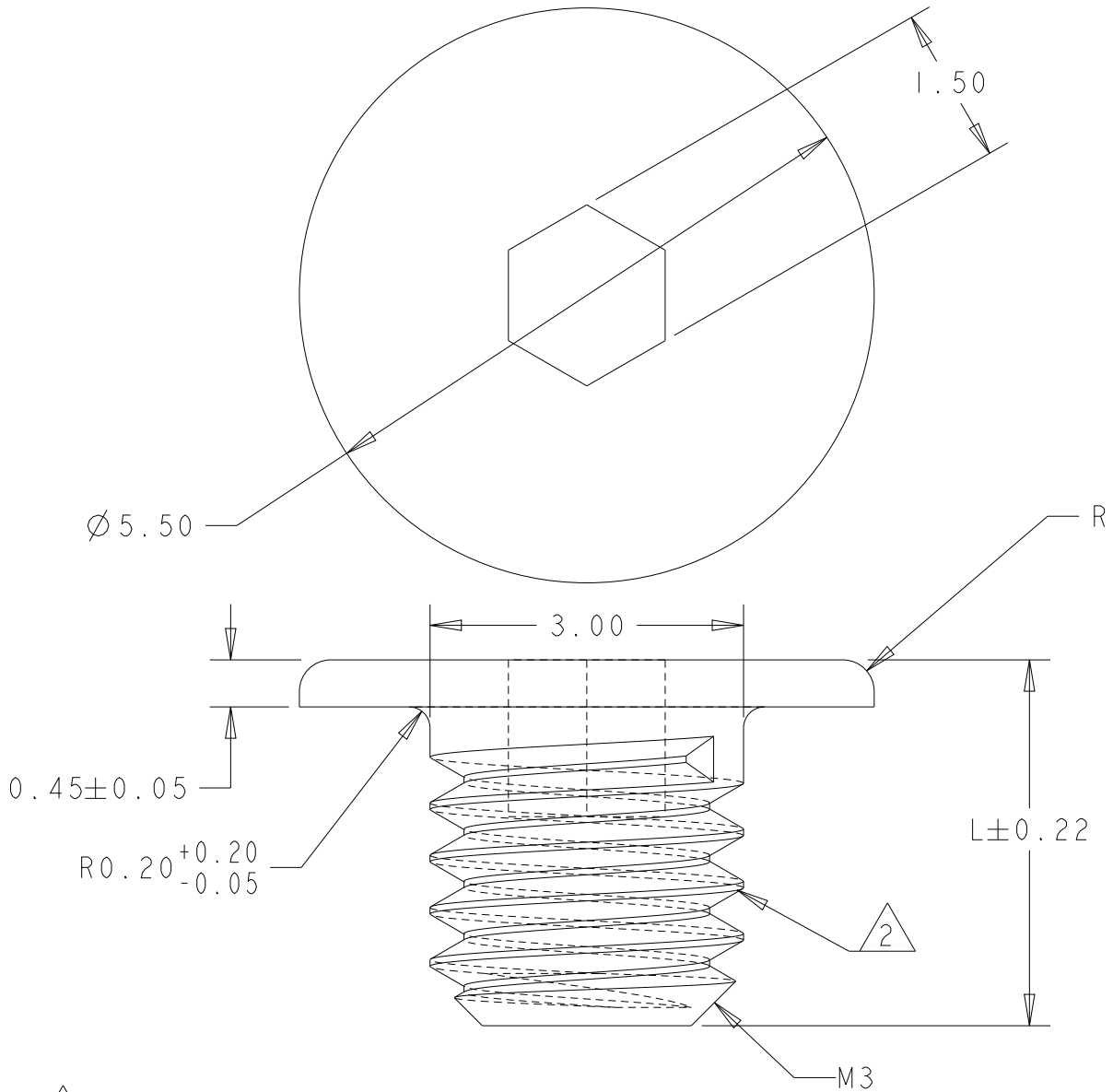


REVISIONS					
P	LTR	DESCRIPTION	DATE	DWN	APVD
	D2	REV PER ECR-18-008350	31MAY2018	ML	SZ
	D3	ADDED NEW DASH NUMBER -3	30SEP2019	CZ	SZ
	D5	ADD A DIAMETER DIM	30JUN2021	AL	SH
	D7	ADD SPEC FOR TORQUE	16SEP2021	AL	SH



1 MATERIAL: STAINLESS STEEL

2 YELLOW THREAD LOCKER APPLIED ON PORTION OF THREADS.

3 TORQUE FORCE 2 IN-LBS MAX.

NO	4.50	1410946-4
YES	4.50	1410946-3
YES	5.50	1410946-2
YES	3.50	1410946-1
2	L	PART NUMBER

20
RELEASED FOR PUBLICATION

ALL RIGHTS RESERVED.

BY - TE CONNECTIVITY

© COPYRIGHT 20

THIS DRAWING IS UNPUBLISHED.

DIMENSIONS: mm	DWN R. TREA	03AUG2004	MATERIAL	1 -	FINISH	-
	CHK G. GRIFFITH	03AUG2004				
TOLERANCES UNLESS OTHERWISE SPECIFIED:	APVD G. GRIFFITH	03AUG2004				
0 PLC ±-	PRODUCT SPEC	-	SIZE	CAGE CODE	DRAWING NO	RESTRICTED TO
1 PLC ±-	APPLICATION SPEC	-	A 4	-	C-1410946	
2 PLC ±0.13	WEIGHT	-	CUSTOMER DRAWING			
3 PLC ±0.013			SCALE	15:1	SHEET	1 OF 1
4 PLC ±-						REV
ANGLES ±2°						D7