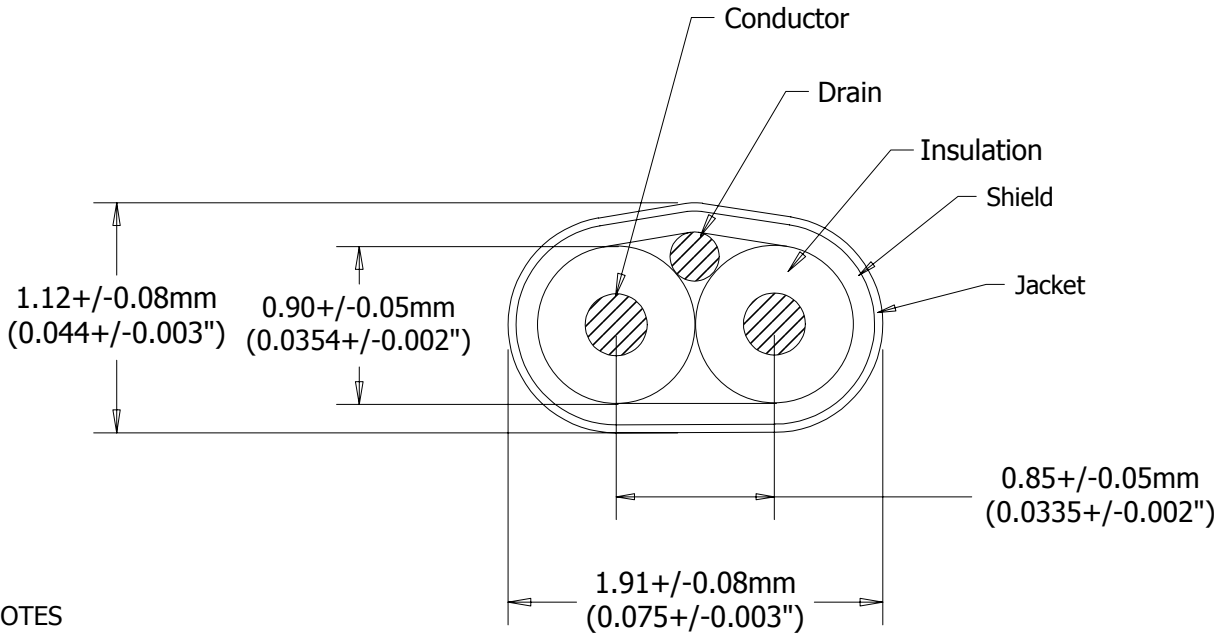


TITLE	PART No.	REV	PAGE
Shielded Pair, 28 AWG, 90 Ohm Twinax	1000680085	B	1 of 1



NOTES

Construction:

- Conductor: 28 AWG, 0.32mm (0.0126") Solid SPC
- Insulation: Fluoropolymer
- Drain Wire: 30 AWG, 0.25mm (0.010") Solid SPC
- Shield: Aluminum / Polyester, 0.023mm (0.0009") Thickness Ref.
- Jacket: Polyester, Heat Sealed, 0.018mm (0.0007") Thickness Ref.

Freq (GHz)	Based on 4m Test Length	
	SDD21	
	Nom. dB	Max. dB
2.50	7.61	8.08
5.00	11.01	11.73
7.50	13.62	14.57
10.00	15.98	17.28
12.89	18.50	20.13
15.00	20.34	21.97
17.50	22.40	23.96
20.00	24.42	26.16
22.50	26.65	28.92
25.00	28.91	31.72
27.50	31.21	34.55
30.00	32.63	36.50

Electrical Characteristics:

- (Based on a 4m Length)
- Differential Impedance: 90+/-2 Ohms
- Propagation Delay: 4.8 ns/m Ref.
- Intra-Pair Skew: 40 ps/4m Max.

Intra-Pair Skew: (Frequency Based) $\sqrt{\frac{1}{N} \sum \left(\frac{\text{phase} \left(\frac{S_{21} - S_{23}}{S_{43} - S_{41}} \right)}{f \cdot 0.36} \right)^2} \leq 14\text{ps}$

- Phase unit: degree
- f: Frequency in GHz where 1GHz ≤ f ≤ 21 GHz
- N: Number of frequency points: (f)

SCD21

f < 30 GHz: 20 dB Min.

Mechanical Characteristics:

Min. Bend Radius: 5X OD - Minor Axis

Print Legend (Drain Wire Side): MOLEX TEMP-FLEX(R) <LOCATION CODE: US OR PHL OR GDL> TWINMAX(TM) 28 AWG 1000680085 --- E61522 <UL CODE: -MPI for PHL, <blank> for US, -MDM for GDL> STYLE 22058 cRUus AWM I A/B 105C 30V FT1 VW-1 --- <TRACEABILITY>

This document is the property of TEMP-FLEX. It may not be disclosed, reproduced, or otherwise used without permission.	Rev	DCR	Description	App'd	Date
	A	5170	Released to Production	KP	1/9/17
	B	5346	Update to Current Production Data. Update Print Legend.	KP	11/8/17