

Extension module - PSR-M-E2-DO16-PI



1105136

<https://www.phoenixcontact.com/us/products/1105136>

Please be informed that the data shown in this PDF document is generated from our Online Catalog. Please find the complete data in the user documentation. Our General Terms of Use for Downloads are valid.



Extension module with 16 signal outputs, TBUS interface, plug-in Push-in terminal block, TBUS connector included

Product Description

The configurable and individually scalable PSRmodular safety system is a flexible safety solution for monitoring your machine or system. The extension module provides the system with additional signal outputs.

Your advantages

- Cost-effective safety solution with a high level of adaptability to individual requirements
- Fast startup, thanks to easy hardware and software configuration
- Machine downtimes minimized with comprehensive, easy-to-understand diagnostics
- Tool-free and time-saving installation thanks to Push-in technology
- Narrow housing width of just 22.6 mm

Commercial Data

Item number	1105136
Packing unit	1 pc
Minimum order quantity	1 pc
Sales Key	C18
Product Key	DNA364
GTIN	4055626975900
Weight per Piece (including packing)	175.4 g
Weight per Piece (excluding packing)	175.4 g
Customs tariff number	85371098
Country of origin	IT

Technical Data

Product properties

Product type	Coupling relay
Application	Extension module

Insulation characteristics

Protection class	III (EN 50178)
Overvoltage category	II

Times

Response time	see user manual
Restart time	min. 5 s (Boot time)
	max. 10 s (Boot time)

Electrical properties

Maximum power dissipation for nominal condition	3.5 W (with max. permissible load)
Nominal operating mode	100% operating factor
Interfaces	DIN rail TBUS for connection to the master module, supplied as standard
Rated insulation voltage	250 V AC
Rated surge voltage/insulation	Basic insulation 4 kV between all current paths and housing

Supply

Designation	A1/A2
Rated control circuit supply voltage U_S	19.2 V DC ... 28.8 V DC
Rated control circuit supply voltage U_S	24 V DC -20 % / +20 % (provide external protection, typically 5 A)
Rated control supply current I_S	typ. 30 mA
Power consumption at U_S	typ. 0.72 W
Inrush current	2 A ($\Delta t = 1$ ms at U_S)
Filter time	typ. 5 ms (at A1 in the event of voltage dips at U_S)
Protective circuit	Serial protection against polarity reversal
	Suppressor diode

Supply

Designation	24V/A2
Rated control circuit supply voltage U_S	24 V DC -20 % / +20 % (provide external protection, typically 5 A)
Rated control supply current I_S	typ. 20 mA (Outputs active, without load)
Inrush current	10 A (at both terminal points 5 and 6, $\Delta t = 1$ ms at U_S)
Filter time	typ. 1 ms (in the event of voltage dips)
Protective circuit	Suppressor diode

Output data

Signal: MO1 ... MO16

Extension module - PSR-M-E2-DO16-PI



1105136

<https://www.phoenixcontact.com/us/products/1105136>

Output description	PNP, IEC 61131-2 Typ 0,1
	non-safety-related
	Reference ground A2
Number of outputs	16
Output voltage when switched off	max. 0.1 V
Voltage	24 V DC (via 24 V)
Maximum inrush current	1.1 A ($\Delta t = 3 \text{ s}$ at U_s)
Limiting continuous current	100 mA (per channel)
	1.6 A (Total current of all digital signal outputs)
Leakage current	max. 100 μA
Switching frequency	max. $1/4 \times t_{\text{Cycle}}$ [Hz]
Protective circuit	Suppressor diode
Short-circuit protection	Yes (self-limitation at 1.1 A)
Cable length	max. 100 m (per output)

Connection data

Connection technology

pluggable	yes
-----------	-----

Conductor connection

Connection method	Push-in connection
Conductor cross section solid	0.2 mm ² ... 2.5 mm ²
Conductor cross section flexible	0.2 mm ² ... 2.5 mm ²
Conductor cross-section AWG	24 ... 16
Stripping length	10 mm

LED signaling

Status display	1 x LED (green), 2 x LED (orange)
	16 x LED (yellow)
Operating voltage display	1 x green LED
Error indication	2 x LED (red)

Dimensions

Width	22.61 mm
Height	107.74 mm
Depth	113.6 mm

Material specifications

Housing material	Polyamide PA non-reinforced
Housing color	yellow

Environmental and real-life conditions

Ambient conditions

Degree of protection	IP20
----------------------	------

Extension module - PSR-M-E2-DO16-PI



1105136

<https://www.phoenixcontact.com/us/products/1105136>

Min. degree of protection of inst. location	IP54
Ambient temperature (operation)	-10 °C ... 55 °C (observe derating)
Ambient temperature (storage/transport)	-20 °C ... 85 °C
Maximum altitude	≤ 2000 m (Above sea level)
Max. permissible humidity (storage/transport)	95 % (non-condensing)
Max. permissible relative humidity (operation)	95 % (non-condensing)
Shock	10g for $\Delta t = 16$ ms (continuous shock, 1000 shocks in each space direction)
Vibration (operation)	10 Hz ... 150 Hz, 2g

Standards and regulations

Air clearances and creepage distances between the power circuits

Standards/regulations	EN 50178
-----------------------	----------

Mounting

Mounting type	DIN rail mounting
Assembly instructions	Observe derating
Mounting position	vertical or horizontal

Extension module - PSR-M-E2-DO16-PI

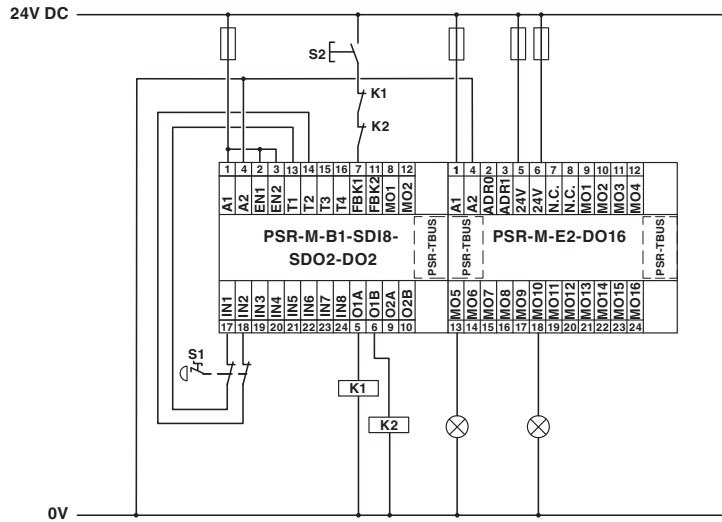


1105136

<https://www.phoenixcontact.com/us/products/1105136>

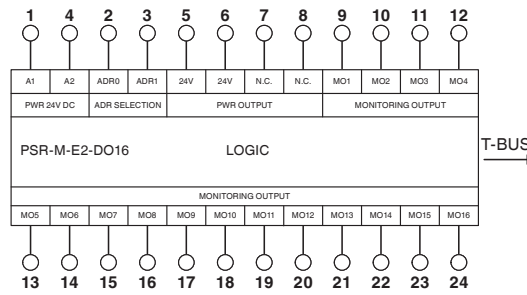
Drawings

Application drawing



Example application

Block diagram



Block diagram


Extension module - PSR-M-E2-DO16-PI





1105136

<https://www.phoenixcontact.com/us/products/1105136>

Approvals

 **UL Listed**
Approval ID: FILE E 238705

 **cUL Listed**
Approval ID: FILE E 238705

 **EAC**
Approval ID: RU*-DE*B.00606/20

Functional Safety
Approval ID: Z10 029429 0013

cULus Listed

1105136

<https://www.phoenixcontact.com/us/products/1105136>

Classifications

ECLASS

ECLASS-9.0	27371819
ECLASS-10.0.1	27371819
ECLASS-11.0	27371819

ETIM

ETIM 8.0	EC001449
----------	----------

UNSPSC

UNSPSC 21.0	39122200
-------------	----------

Extension module - PSR-M-E2-DO16-PI



1105136

<https://www.phoenixcontact.com/us/products/1105136>

Environmental Product Compliance

China RoHS	Environmentally friendly use period: unlimited = EFUP-e
	No hazardous substances above threshold values

Extension module - PSR-M-E2-DO16-PI



1105136

<https://www.phoenixcontact.com/us/products/1105136>

Accessories

Coding profile

Coding profile - CP-MSTB - 1734634

<https://www.phoenixcontact.com/us/products/1734634>

Coding profile, is inserted into the slot on the plug or inverted header, red insulating material



Coding section

Coding section - CR-MSTB - 1734401

<https://www.phoenixcontact.com/us/products/1734401>

Coding section, inserted into the recess in the header or the inverted plug, red insulating material



Phoenix Contact 2022 © - all rights reserved

<https://www.phoenixcontact.com>

Phoenix Contact USA
586 Fulling Mill Road
Middletown, PA 17057, United States
(+717) 944-1300
info@phoenixcon.com