

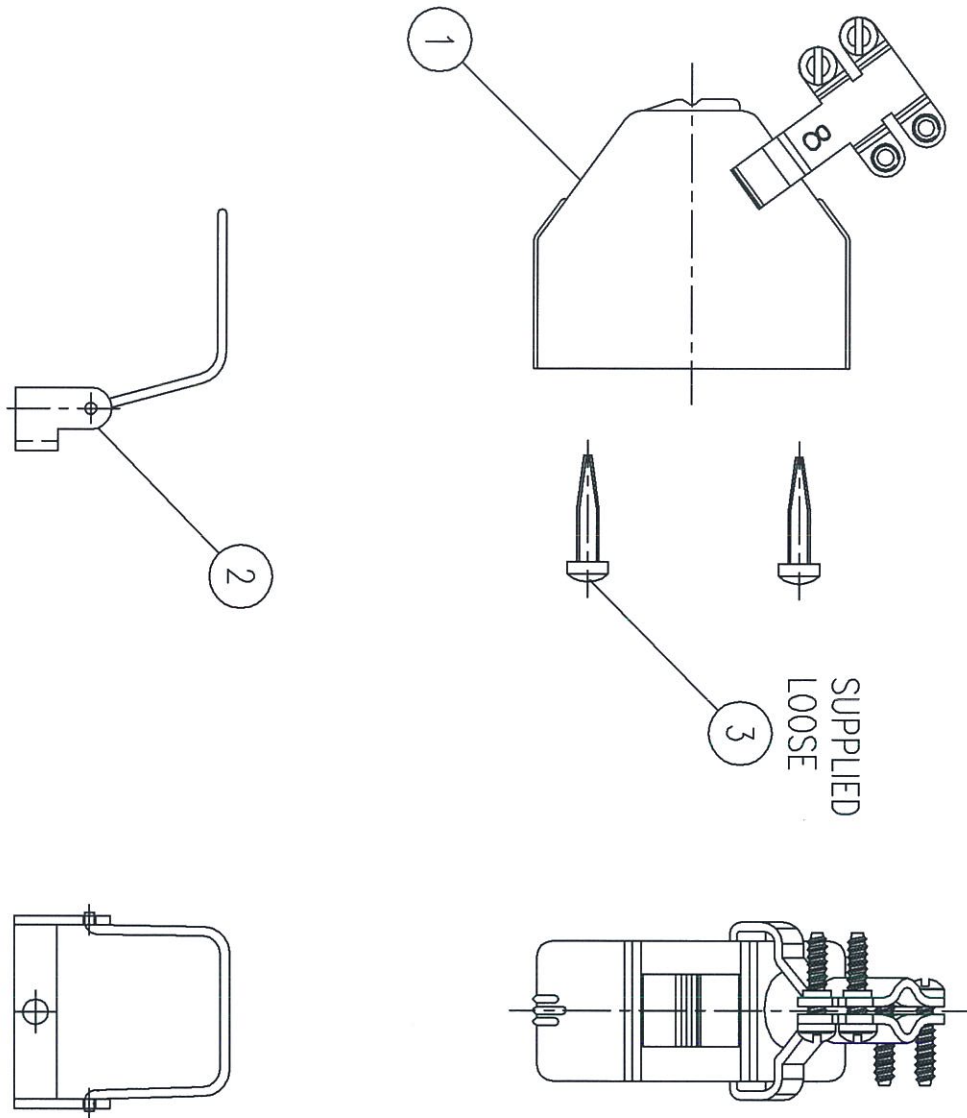


IF IN DOUBT - ASK

ALL DIMENSIONS ARE IN mm

ROHS COMPLIANT

CUSTOMER DRAWING



SUPPLIED LOOSE

THIS DRAWING IS COPYRIGHT AND IS ISSUED ON CONDITION IT IS NOT COPIED, REPRODUCED OR DISCLOSED TO A THIRD PARTY WITHOUT THE CONSENT IN WRITING OF CINCH CONNECTORS LTD. ATTENTION IS DRAWN TO THE FACT THAT THE ARTICLE DISCLOSED MAY BE COVERED BY BRITISH OR FOREIGN PATENTS, GRANTED OR PENDING OR REGISTERED DESIGN.

				APP'D					GENERAL TOLERANCE	TITLE							
				DATE	19.09.13					8 WAY MOULD SHELL ASSEMBLY AND SPRING CLIP ASSY							
				MOD No.						DRN.	J.MADELEY	DATE	19.09.13	SCALE		CHD	J.M
				ISSUE	A					RAW MATERIAL							
CODE	DESCRIPTION	ITEM	FINISH	No. OFF	ISSUE					FINISHED HARDNESS	FINISH TREATMENT	FINISHED COLOUR					
	SCREW	3	ZINC PLATE	2													
	SPRING CLIP ASSY	2		1													
	SHELL ASSY	1		1													