

Basler Accessories



Technical Specification

CABLE USB 3.0, MICRO-B 90° A3/A

Order Numbers

2000035891

2000035892

2000035929

Document Number: DG001617

Version: 01 Language: 000 (English)

Release Date: 14 January 2016

Contacting Basler Support Worldwide

Europe, Middle East, Africa

Basler AG
An der Strusbek 60–62
22926 Ahrensburg
Germany

Tel. +49 4102 463 515
Fax +49 4102 463 599

support.europe@baslerweb.com

The Americas

Basler, Inc.
855 Springdale Drive, Suite 203
Exton, PA 19341
USA

Tel. +1 610 280 0171
Fax +1 610 280 7608

support.usa@baslerweb.com

Asia-Pacific

Basler Asia Pte. Ltd.
35 Marsiling Industrial Estate Road 3
#05–06
Singapore 739257

Tel. +65 6367 1355
Fax +65 6367 1255

support.asia@baslerweb.com

www.baslerweb.com

**All material in this publication is subject to change without notice and is copyright
Basler AG.**

Order Number	Description	Applicable Cameras
2000035891	Data cable USB 3.0, Type A plug to Micro-B plug, 90° angled, 1 m	dart, pulse
2000035892	Data cable USB 3.0, Type A plug to Micro-B plug, 90° angled, 3 m	dart, pulse
2000035929	Data cable USB 3.0, Type A plug to Micro -B plug, 90° angled, 5 m	dart, pulse

Table 1: Cable Types

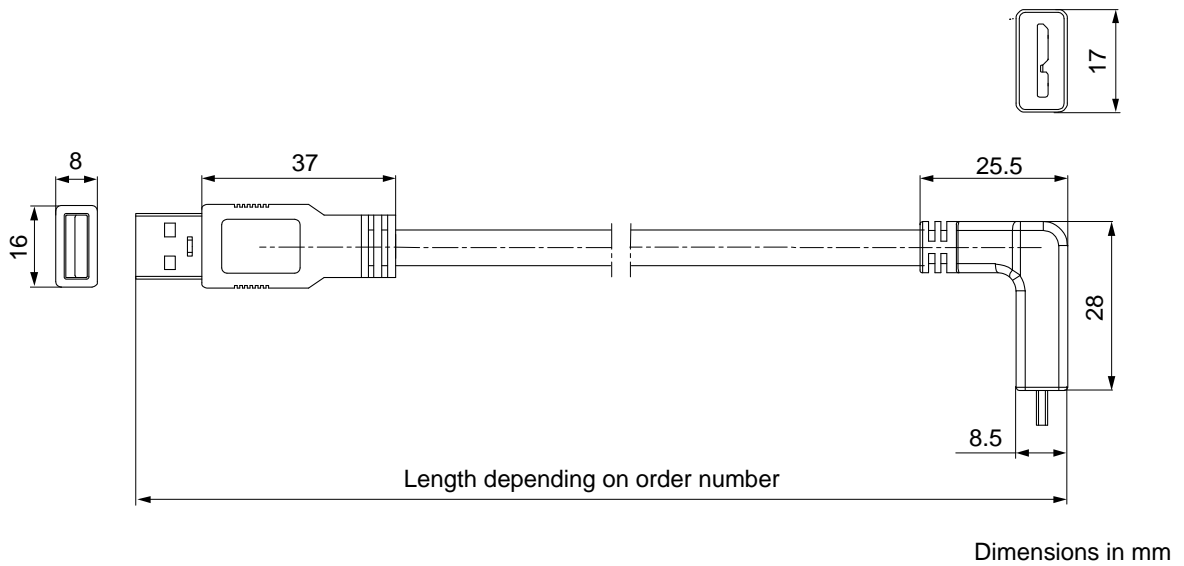


Fig. 1: Cable Overview

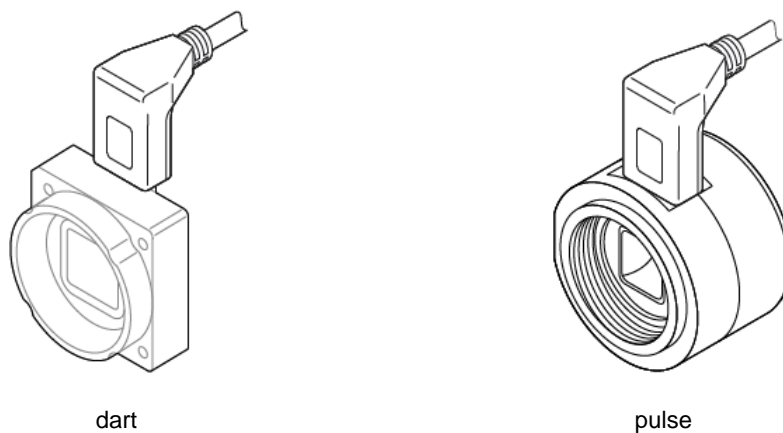


Fig. 2: Cable Connected to dart and pulse Cameras

Transfer Rates

	2000035891	2000035892	2000035929
USB 2.0	480 Mbps		
USB 3.0	5 Gbps		

Table 2: Transfer Rates

Physical Specifications

	2000035891	2000035892	2000035929
Camera-Side Connector	Micro-B, USB-IF-compliant		
Host-Side Connector	Type A connector, USB-IF-compliant		
Cable Diameter	5.7 mm max.		
Minimum Bending Radius	57 mm (10 x cable diameter), fixed installation		
Minimum Number of Bending Cycles	None (fixed installation only)		
Suitable for Drag Chain Applications	No		
Suitable for Robotics Applications	No		

Table 3: Physical Specifications

Electrical Specifications

	2000035891	2000035892	2000035929
Nominal Operating Voltage	See camera user's manual		
Maximum Operating Voltage	See camera user's manual		

Table 4: Electrical Specifications

Environmental Specifications


	2000035891	2000035892	2000035929
Operating Temperature	+80 °C max. (not moving)		


Table 5: Environmental Specifications

General Information

	2000035891	2000035892	2000035929
RoHS Compliance	Yes		
CE Conformity	Yes (RoHS compliance)		
UL Conformity	Yes		
Warranty	1 year		

Table 6: General Information

	The cables are intended for use with the cameras specified in Table 1 only.
---	---

	When connecting the cable to the camera, consider that the position of the camera's USB 3.0 connector defines the direction the cable is guided within your installation.
---	---

Read the camera user's manual including the safety warnings before connecting the cable to the camera. The user's manual also contains further information about pin assignments, power requirements, as well as comprehensive information about installing and using the camera.

You can download the user's manual and related documents for your camera free of charge from the Basler website: www.baslerweb.com.

Revision History

Doc. ID Number	Date	Changes
DG00161701000	14 Jan 2016	Initial release of this document.