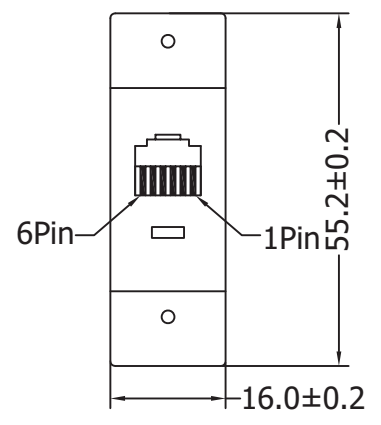
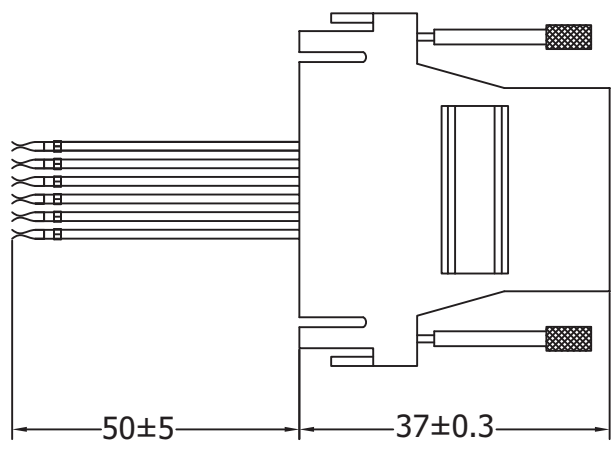
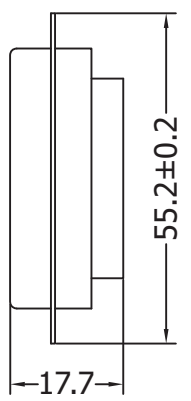
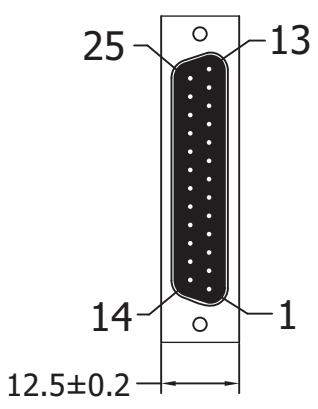
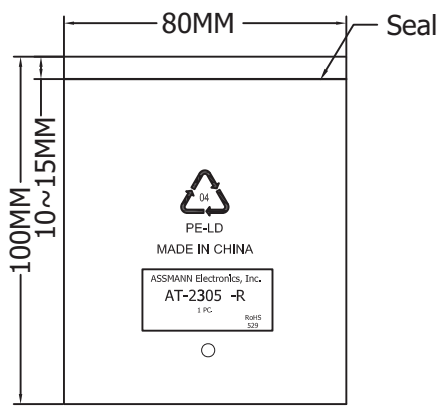


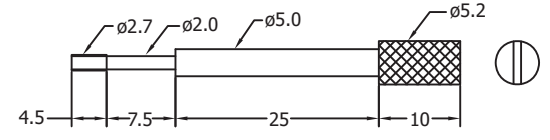
# P1



# P2



1PCS/PE Bag



### Pin Assignment

| P1     | P2 |
|--------|----|
| White  | 1  |
| Black  | 2  |
| Red    | 3  |
| Green  | 4  |
| Yellow | 5  |
| Blue   | 6  |

### Material:

- Cable: UL 26AWG, 60MM  
- Blue, Black, Red, Green, Yellow, White
- P1 Connector: D-Sub 25-Pin Female  
- Crimp Type  
- Black Insulation
- P2 Connector: RJ12 6P6C Female 3μ"
- Color: Beige
- PVC Housing
- Thumbscrew: 5\*37MM



|           |       |              |      |      |  |          |          |  |
|-----------|-------|--------------|------|------|--|----------|----------|--|
| Scale     | 1:1   |              |      |      |  |          |          | Name   |
| TOLERANCE |       |              |      |      |  |          |          | Item No.   |
| X.X       | ±0.40 |              |      |      |  | Drawn    | 11.22.11 | Chappell   |
| X.XX      | ±0.25 |              |      |      |  | Approved |          |  |
| X.XXX     | ±0.15 |              |      |      |  |          |          | Title  |
| Angle     | ±3°   |              |      |      |  |          |          | D-Sub Modular Adapter,<br>25 Pin Female <=> RJ12 Female, Beige |
|           |       |              |      |      |  |          |          | Drawing No.  |
|           |       |              |      |      |  |          |          | Replace  |
|           |       |              |      |      |  |          |          | Sheet  |
|           |       | Modification | Date | Name |  |          |          |  |
|           |       |              |      |      |  |          |          |  |

## AT-23053-R

rev00