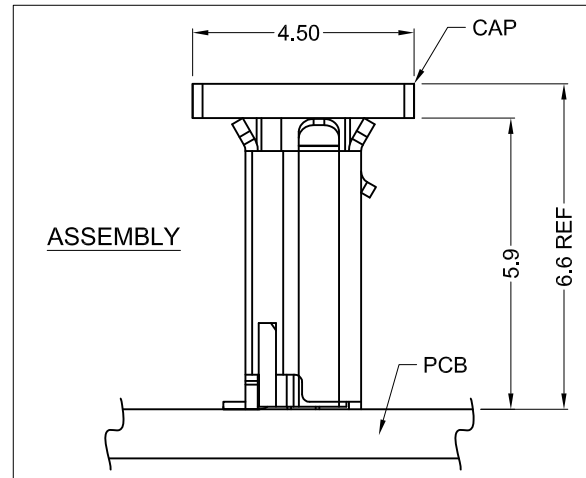
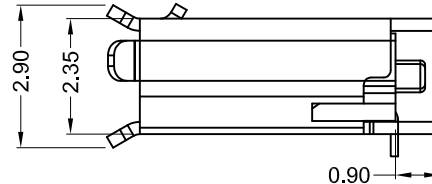


RECOMMENDED PCB LAYOUT
(TOP VIEW)



Material and Finish

Insulator: High Temperature Thermoplastic, UL 94V-0 Rated, Color: Black

Shell: Stainless Steel, Matte Tin Plated

Contact Material: Phosphor Bronze

Contact Plating Options:
Standard: 10u" Gold Plated on Contact Area, Gold Flash on Solder Tails, All over Nickel Underplate
50 Option: 50u" Gold Plated on Contact Area, Gold Flash on Solder Tails, All over Nickel Underplate

Electrical Characteristics

Rated Current: 1.5A

Rated Voltage: 30V AC/DC

Insulation Resistance: 1,000 Megohms Min.

Contact Resistance: 30 milliohms Max.

Dielectric Withstanding Voltage: 100V AC For 1 Minute

Mechanical Characteristics

Durability: 10,000 Mating Cycles Min.

Operating Temperature: -40°C to +105°C

Part Number	Insulator Color	Contact Area Plating Finish	Packaging
KMMVX-SMT-BS-BTR	Black	10u" Gold (standard)	Tape & Reel
KMMVX-SMT-BS-B50TR	Black	50u" Gold (50 option)	Tape & Reel

RoHS COMPLIANT

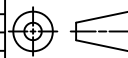
Tolerances
X.X ± 0.35
X.XX ± 0.25
Unless Stated Otherwise

REV.	DATE	DESCRIPTION	REV. BY	CHK. BY	DRAWN BY	DATE
A0	09/10/15	New Drawing	C. Kelleher	W. Cook		
A1	09/22/15	Release Drawing	C. Kelleher	W. Cook	C. Kelleher	8/25/15

KMMVX-SMT-BS-BxTR

Micro-B Socket, USB 2.0, SMT

Vertical, RoHS Compliant



UNITS
mm