

4

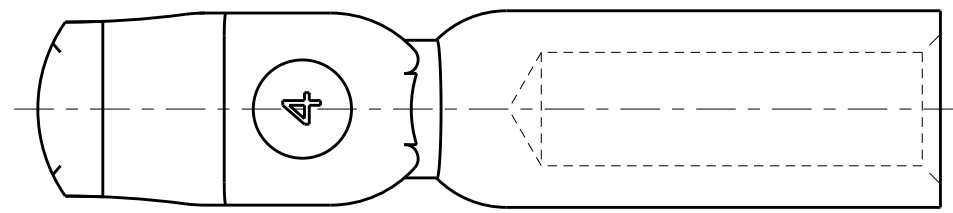
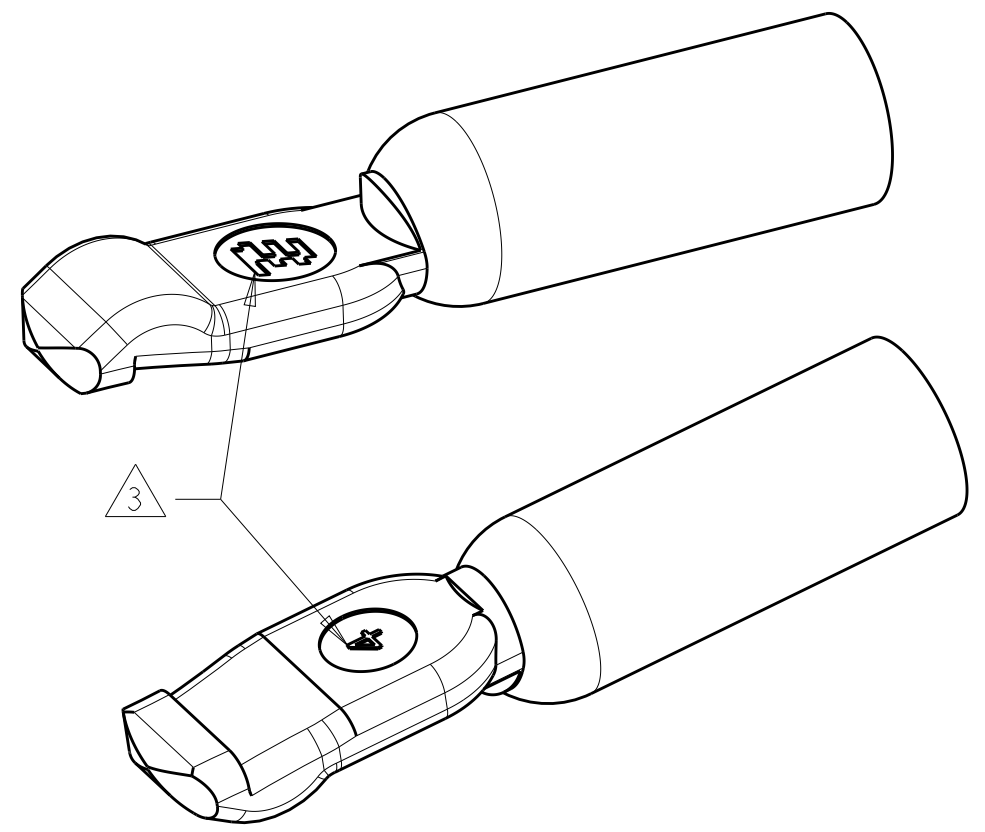
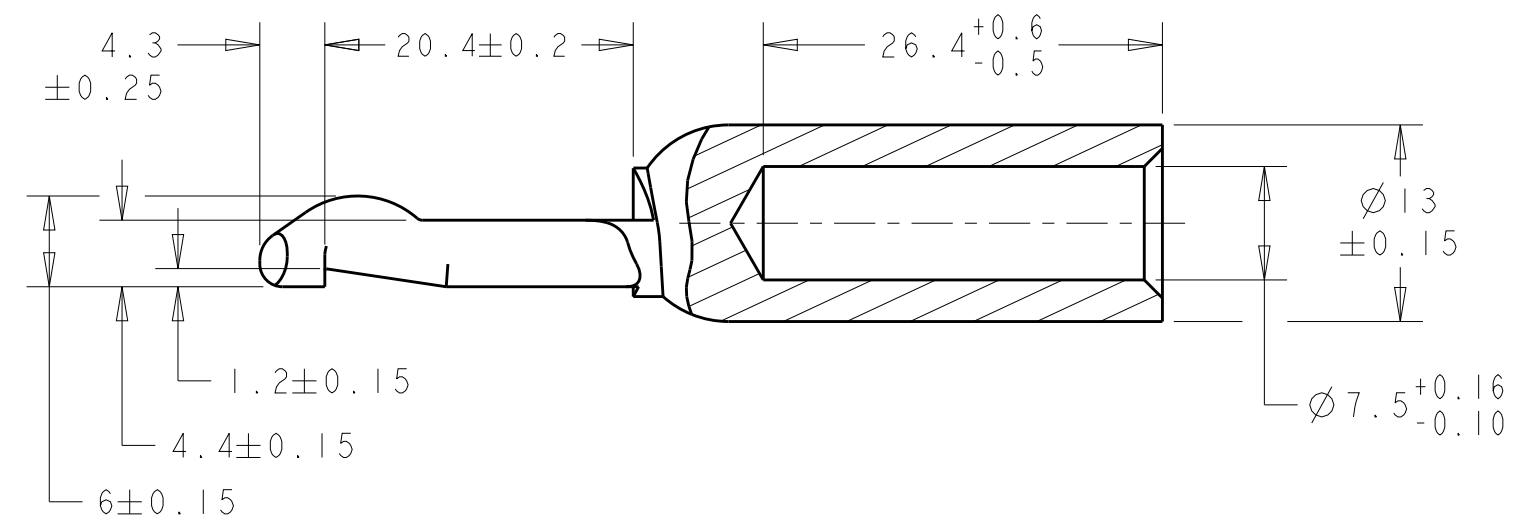
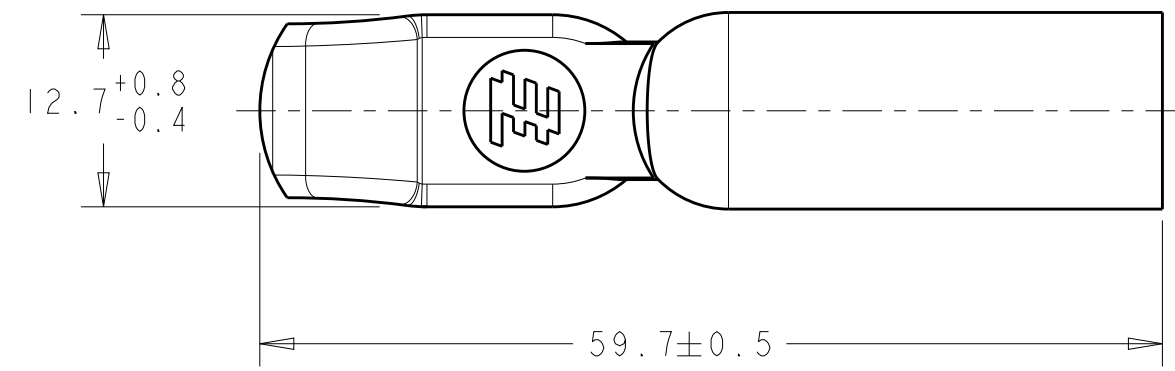
3

2

1

THIS DRAWING IS UNPUBLISHED. RELEASED FOR PUBLICATION 20
 © COPYRIGHT 20 BY TYCO ELECTRONICS CORPORATION. ALL RIGHTS RESERVED.

LOC	DIST	REVISIONS					
CM	0	P	LTR	DESCRIPTION	DATE	DWN	APVD
			A	REV PER ECR 10-006756	01APR10	JR	SM
			B	REV PER ECR-18-000415	19JAN2018	RS	SZ



1. MATERIAL: COPPER ALLOY
2. FINISH: PLATED SILVER
3. STAMP MARK MAY BE ROTATED

METRIC

THIS PRODUCT HAS PASSED VERIFICATION AND AGENCY APPROVALS TESTING AND IS COMPONENT RECOGNIZED PER UL 1977 AND CSA 22.2. TYCO ELECTRONICS PRODUCT QUALIFICATION TESTING IS NOT YET COMPLETED.

AS SHOWN	1604040-1
DESCRIPTION	PART NUMBER

<small>THIS DRAWING IS A CONTROLLED DOCUMENT FOR TYCO ELECTRONICS CORPORATION. IT IS SUBJECT TO CHANGE AND THE CONTROLLING ENGINEERING ORGANIZATION SHOULD BE CONTACTED FOR THE LATEST REVISION.</small>		DWN	B.D.Yohn	14MAR2002	Tyco Electronics Harrisburg, PA 17105-3608	NAME		CONTACT, AMP POWER SERIES 175 / 180, 4 AWG			
DIMENSIONS:		CHK	W.H.Bernhart	14MAR2002		PRODUCT SPEC		SIZE	CAGE CODE	DRAWING NO	
mm		APVD	W.H.Bernhart	14MAR2002		APPLICATION SPEC		A3	00779	1604040	
		TOLERANCES UNLESS OTHERWISE SPECIFIED:				WEIGHT		RESTRICTED TO			
0 PLC ±- 1 PLC ±0.3 2 PLC ±0.13 3 PLC ±0.050 4 PLC ±- ANGLES ±-		MATERIAL		FINISH		CUSTOMER DRAWING		SCALE	SHEET	OF	REV
								2:1	1	1	B