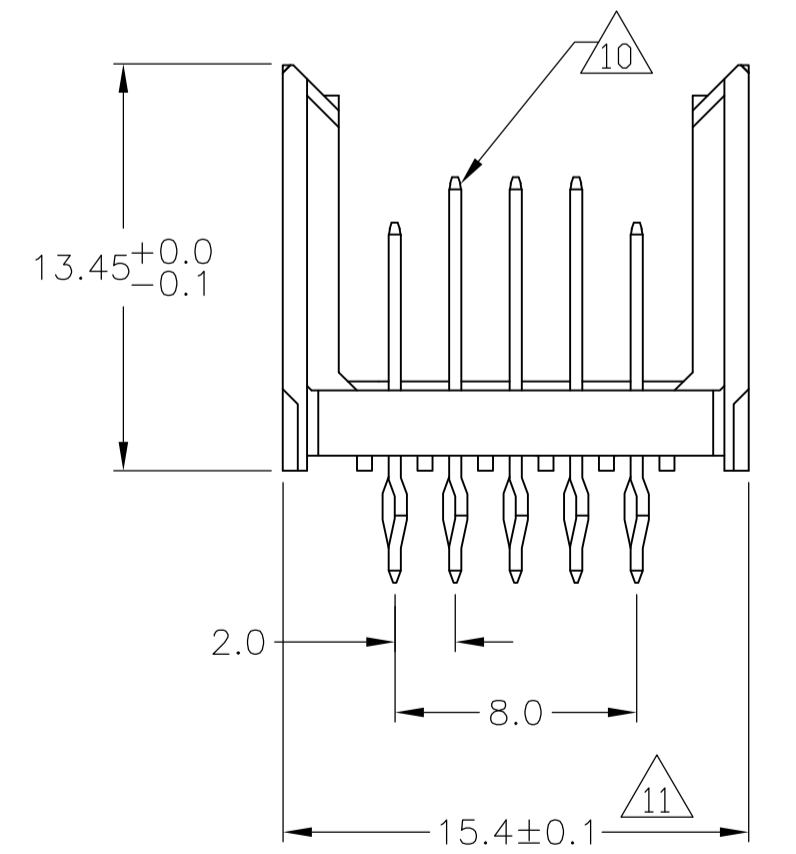
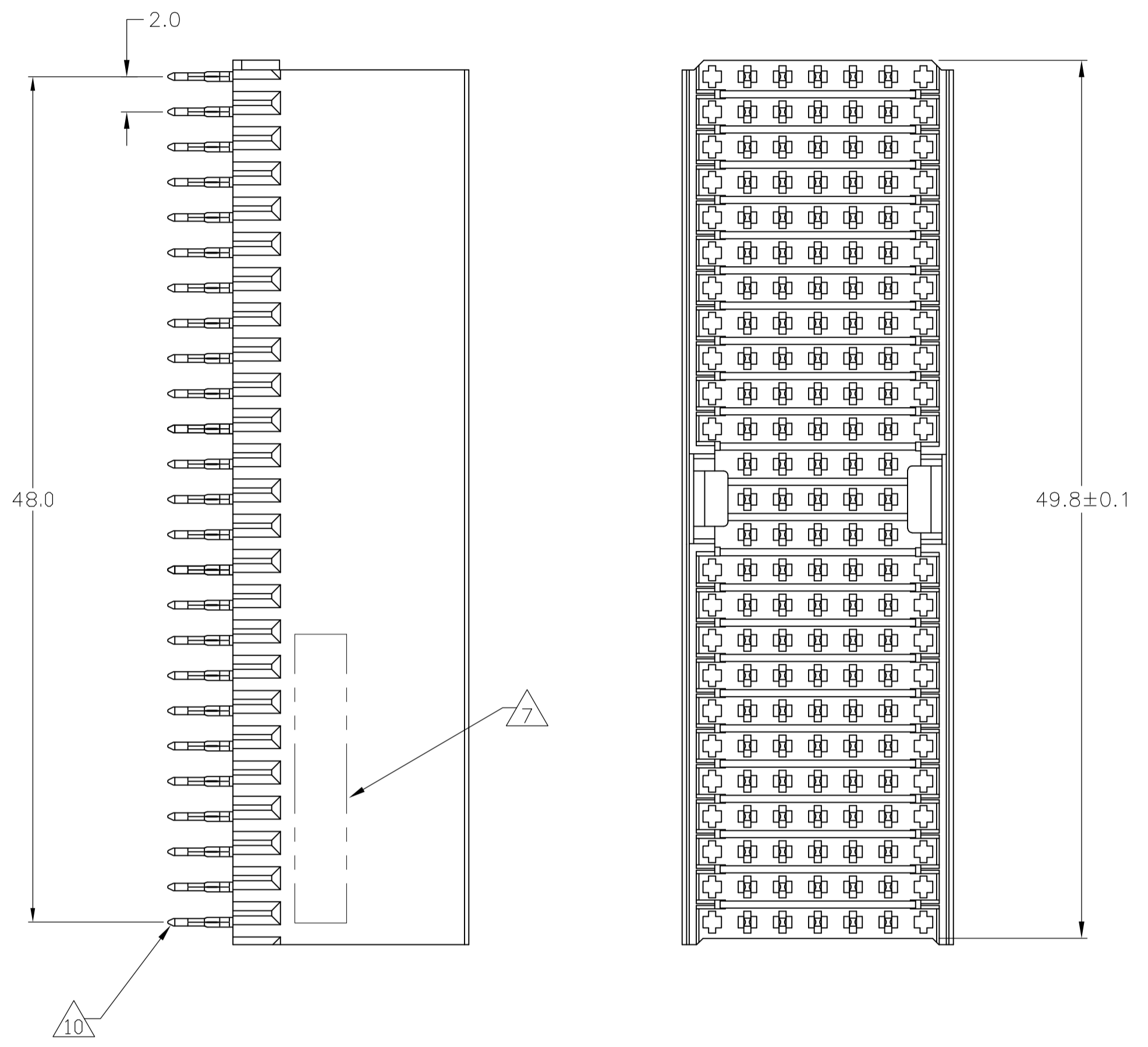
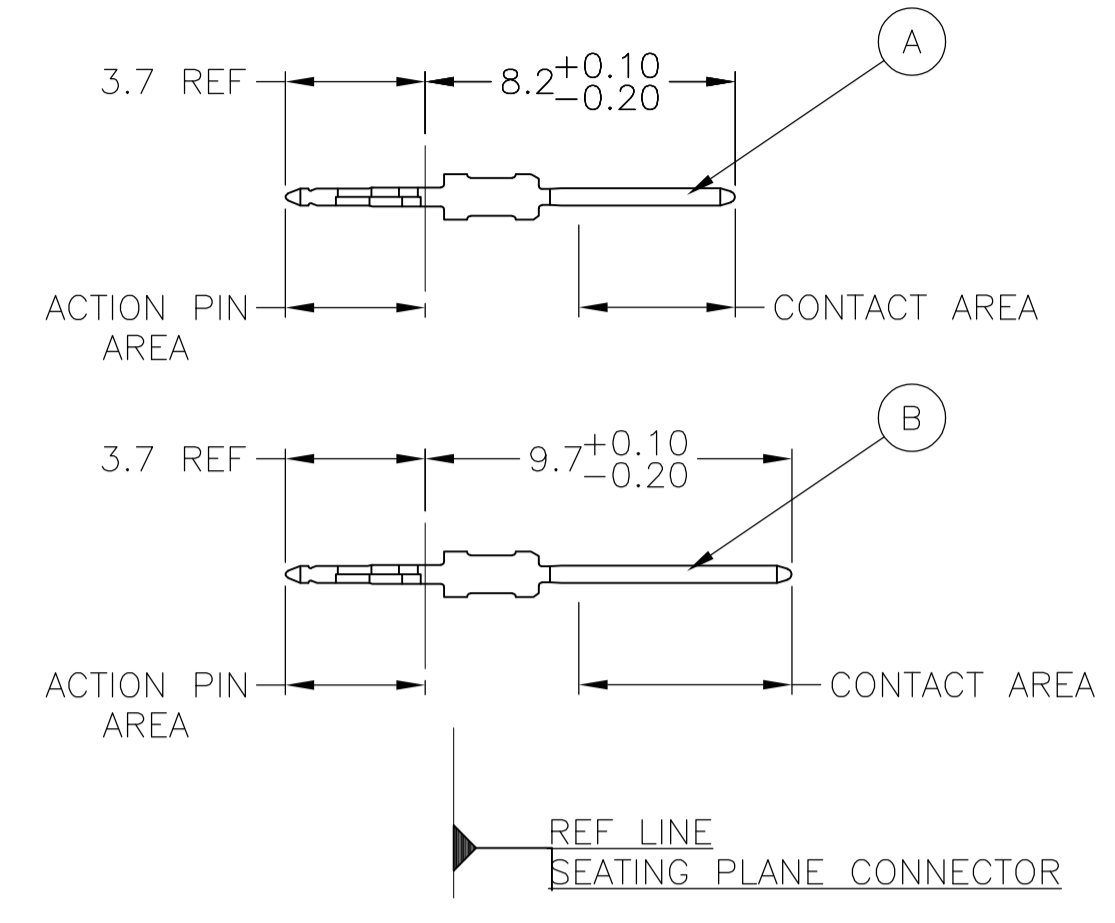


| LOC |    | DIST                      |         | REVISIONS |     |     |  |
|-----|----|---------------------------|---------|-----------|-----|-----|--|
| AD  | 00 | REV                       | DATE    | BY        | CHK | APP |  |
| A   |    | REVISED PER ECO-07-030229 | 08JAN08 | DH        | JE  |     |  |
| B   |    | ECR-10-019054             | 15SEP10 | DP        | MQW |     |  |

### CONNECTOR ASSEMBLY EXAMPLARY LOADED



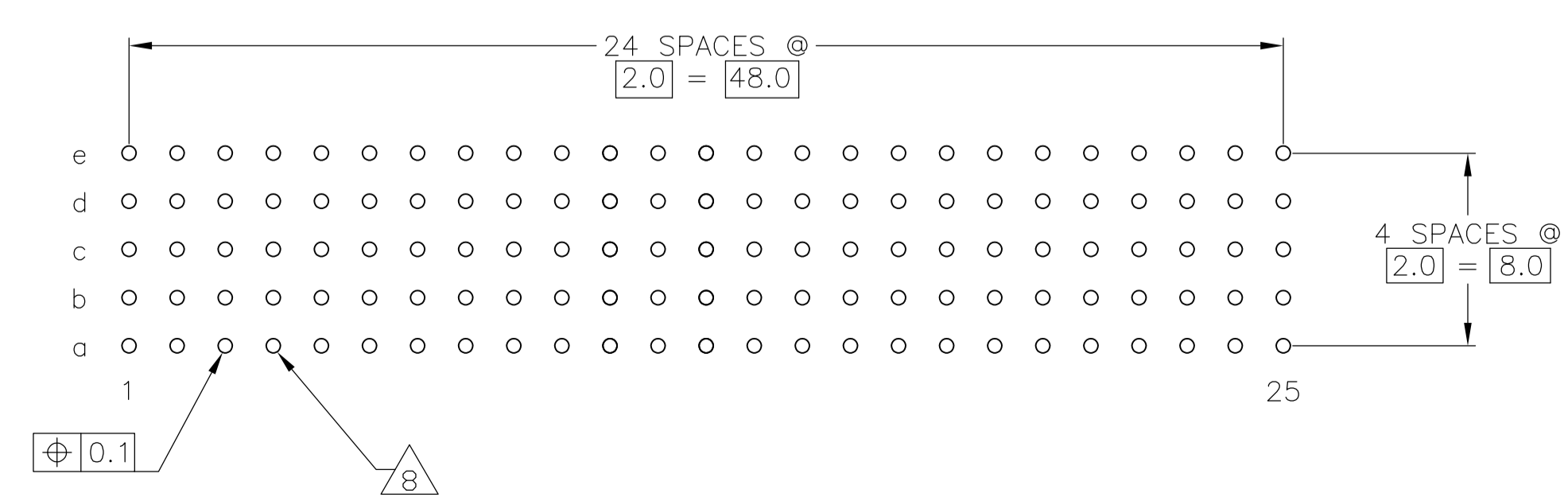
### CONTACT DIMENSIONS SCALE 5:1



### CONTACT LAYOUT

|    | z | a | b | c | d | e | f |
|----|---|---|---|---|---|---|---|
| 1  |   | A | B | B | B | A |   |
| 2  |   | A | B | B | B | A |   |
| 3  |   | A | B | B | B | A |   |
| 4  |   | A | B | B | B | A |   |
| 5  |   | A | B | B | B | A |   |
| 6  |   | A | B | B | B | A |   |
| 7  |   | A | B | B | B | A |   |
| 8  |   | A | B | B | B | A |   |
| 9  |   | A | B | B | B | A |   |
| 10 |   | A | B | B | B | A |   |
| 11 |   | A | B | B | B | A |   |
| 12 |   | A | B | B | B | A |   |
| 13 |   | A | B | B | B | A |   |
| 14 |   | A | B | B | B | A |   |
| 15 |   | A | B | B | B | A |   |
| 16 |   | A | B | B | B | A |   |
| 17 |   | A | B | B | B | A |   |
| 18 |   | A | B | B | B | A |   |
| 19 |   | A | B | B | B | A |   |
| 20 |   | A | B | B | B | A |   |
| 21 |   | A | B | B | B | A |   |
| 22 |   | A | B | B | B | A |   |
| 23 |   | A | B | B | B | A |   |
| 24 |   | A | B | B | B | A |   |
| 25 |   | A | B | B | B | A |   |

### RECOMMENDED PCB-HOLE LAYOUT COMPONENT SIDE SHOWN



### PLATED THRU HOLES PARAMETERS REFERENCE APPLICATION SPECIFICATION

|        |             |
|--------|-------------|
| 2 6 12 | 1-5646990-9 |
| 2 5 12 | 5646990-9   |
| 2 4    | 5646990-4   |
| 2 3    | 5646990-1   |
| FINISH | PART NUMBER |

THIS DRAWING IS A CONTROLLED DOCUMENT.

|                  |   |                              |                        |  |
|------------------|---|------------------------------|------------------------|--|
| DIMENSIONS: mm   | TOLERANCES UNLESS OTHERWISE SPECIFIED: ±0.2 | DIN B CARBO 25AUG05          | 25AUG05                | Tyco Electronics Corporation Harrisburg, Pa 17105-3608 |
| 0-PLC ±          | 1-PLC ±                                     | CHK G SKIPPER                | NAME G SKIPPER         | MALE ASSEMBLY, Z-PACK 2mm HM, TYPE A/B                 |
| 2-PLC ±          | 3-PLC ±                                     | APVD G SKIPPER 25AUG05       | PRODUCT SPEC 108-19082 | SIZE CAGE CODE DRAWING NO                              |
| 4-PLC ±          | ANGLES ±                                    | APPLICATION SPEC 114-19029   | 114-19029              | RESTRICTED TO  |
| MATERIAL 1       | FINISH SEE TABLE                            | WEIGHT                       | A1 00779 C=5646990     | SCALE 4:1 SHEET 1 OF 2 REV B                           |
| CUSTOMER DRAWING |   | SCALE 4:1 SHEET 1 OF 2 REV B |                        |  |

| LOC |     | DIST        |      | REVISIONS |     |  |  |
|-----|-----|-------------|------|-----------|-----|--|--|
| IF  | LTR | DESCRIPTION | DATE | DRN       | APV |  |  |
| AD  | 00  | SEE SHEET 1 | -    | -         | -   |  |  |

- 1 MATERIAL:  
CONTACT: PHOSPHOR BRONZE.  
HOUSING: GLASS-FILLED POLYESTER.
- 2 GENERAL PLATING SPECIFICATION: UNDERPLATING  
(ENTIRE CONTACT): 1.27µm MIN NICKEL AND ACTION  
PIN: 0.5µm MIN TIN.  
FOR PLATING OF MATING SURFACES SEE APPLICABLE  
SPECIFICATION REFERENCE FOR EACH DASH NUMBER.
- 3 CONFORMS TO ALL TESTING ACCORDING TO IEC 61076-4-101  
PERFORMANCE LEVEL 2.
- 4 CONFORMS TO ALL TESTING ACCORDING TO IEC 61076-4-101  
PERFORMANCE LEVEL 1.
- 5 CONNECTOR TESTED AND QUALIFIED AGAINST TELCORDIA GR-1217-CORE QUALITY LEVEL 3,  
CENTRAL OFFICE APPLICATIONS.
- 6 CONNECTOR TESTED AND QUALIFIED AGAINST TELCORDIA GR-1217-CORE QUALITY LEVEL 3,  
UNCONTROLLED ENVIROMENT APPLICATIONS.
- 7 CONNECTOR MARKED WITH PART NUMBER AND DATE CODE.  
ADDITIONAL CHARACTERS OR MARKINGS, AS WELL AS THE LOCATION OF THE MARKINGS,  
MAY BE ADDED FOR TRACEABILITY BASED UPON MANUFACTURERS DISCRETION.
- 8 PLATED-THROUGH HOLES AT 2x2mm SQUARE GRID  
PATTERN DEFINED BY CONTACT LAYOUT.
- 9 FOR ACTUAL PIN LOADING SEE "CONTACT LAYOUT".
- 10 FOR ACTUAL PIN DIMENSIONS SEE "CONTACT DIMENSIONS".
- 11 TO BE MEASURED AT BOTTOM OF SHROUD.
- 12 CONNECTOR LUBRICATED WITH BELCORE APPROVED LUBRICANT,  
TECHNICAL REFERENCE: TR-NWT-001217 ISSUE 1, SEP 1992.

|  |  |                               |   |                    |
|--|--|-------------------------------|---|--------------------|
| THIS DRAWING IS A CONTROLLED DOCUMENT.   |  | DRN<br>B CARBO 25AUG05        | Tyco Electronics Corporation<br>Harrisburg, Pa 17105-3608 |                    |
| DIMENSIONS:<br>mm  |  | CHK<br>G.SKIPPER 25AUG05      | NAME<br>G.SKIPPER 25AUG05                                 |                    |
| TOLERANCES UNLESS OTHERWISE SPECIFIED:<br>0-PLC ±<br>1-PLC ±.01<br>2-PLC ±<br>3-PLC ±<br>4-PLC ±<br>ANGLES ± |  | PRODUCT SPEC<br>108-19082     | MALE ASSEMBLY, Z-PACK 2mm HM,<br>TYPE A/B                 |                    |
| MATERIAL<br>SEE SHEET 1  |  | APPLICATION SPEC<br>114-19029 | SIZE<br>A1  | CAGE CODE<br>00779 |
| FINISH<br>SEE SHEET 1  |  | RESTRICTED TO<br>-            | DRAWING NO<br>5646990                                     |                    |
| CUSTOMER DRAWING   |  | SCALE<br>4:1                  | SHEET<br>2  | OF 2               |