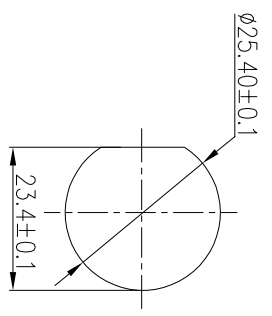
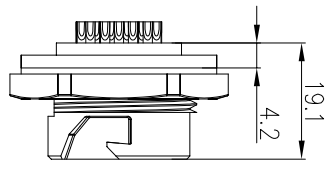


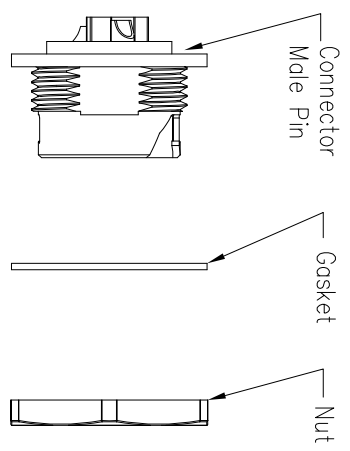
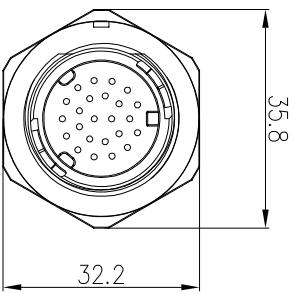
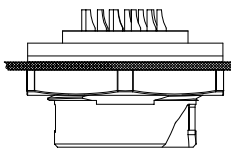
REV.	EN. NO.	DESCRIPTION	SIGN	DATE
C1	N/A	INITIAL DRAWING	Liu	2019/08/13



RECOMMENDED PANEL Cut-Out



Panel T: Max 2.2



- Specification:
1. Operation Temperature: $-45^{\circ}\text{C} \sim 105^{\circ}\text{C}$.
 2. Insulation Resistance: $100\text{M}\Omega$ at DC500V.
 3. Contact Resistance: $<10\text{m}\Omega$.
 4. Withstand Voltage: 1500V AC
 5. Operating Current: 5A
 6. Operating Voltage: AC 125V
 7. Waterproof Rate: IP67 (Mated)
 8. Housing: Nylon, Black
 9. Male Pin: Copper Alloy, Gold Plated
 10. Gasket: Silicon Gray
 11. Panel Nut: Nylon, Orange
 12. Torque Rate: $0.8 \sim 1.0\text{N} \cdot \text{m}$
 13. RoHS Compliant.
 14. Mating Cap P/N: 806-00102-00

P/N:	24009535-01	P/N:	24018535-01	P/N:	24024535-01
Pin	9 Pin	Pin	18 Pin	Pin	24 Pin
Pin Assignments Front View					

UNIT: mm	DESCRIPTION	PART NO	DRAWN BY	DATE
TOLERANCE .X .XX .XXX ANGLES	Large Series Push Lock Front Mount With Male Pin	24XXX535-01	Liu	2019/08/13
	SCALE: 1:1	DWG NO	CHECKED BY	DATE
	REV: C1	CUSTOMER	APPROVED BY	DATE
	SIZE: A4		Panison	2019/08/13
	SHEET: 1 OF 1			
	* : Inspection Item			

CHOGORI