



WIDEBAND, MICROWAVE

Monolithic Amplifier

AVA-24A+

50Ω 5 to 20 GHz

THE BIG DEAL

- Surface Mount Amplifier up to 20 GHz
- Integrated matching, DC Blocks and bias circuits
- High Reverse Isolation
- Gain, 12.3 dB typ. & Flatness, ±1.3 dB
- Output Power, up to +18.3 dBm typ.
- Excellent isolation, 36 dB typ.
- Single Positive Supply Voltage, +5V
- Integrated DC blocks, Bias-Tee & Microwave bypass capacitor
- Unconditionally Stable
- Aqueous washable; 3mm x 3mm SMT package



Generic photo used for illustration purposes only

CASE STYLE: DQ849

+RoHS Compliant

The +Suffix identifies RoHS Compliance. See our website for methodologies and qualifications

APPLICATIONS

- Military EW and Radar
- DBS
- Wideband Isolation amplifier
- Microwave point-to-point radios
- Satellite systems

PRODUCT OVERVIEW

The Mini-Circuits AVA-24A+ is a surface mount, microwave amplifier fabricated using InGaAs PHEMT technology and is fully integrated gain block up to 20 GHz. It is packaged in Mini-Circuits industry standard 3x3 mm MCLP (QFN) package, which provides excellent RF and thermal performance. The AVA-24A+ integrates the entire matching network with the majority of the bias circuit inside the package, reducing the need for complicated external circuits. This approach makes the AVA-24A+ extremely flexible and enables simple, straightforward use.

KEY FEATURES

Feature	Advantages
Wideband, 5 to 20 GHz	Broad frequency range supports a wide array of applications from microwave radio and radar, to military communications and countermeasures.
Excellent Gain Flatness	Typical ±0.8 dB gain flatness across the entire frequency range minimizes the need for external equalizer networks making it a great fit for instrumentation and EW applications.
High Isolation	With reverse isolation of 36 dB (24 dB directivity), the AVA-24A+ is an excellent choice for buffering broadband circuits. It is an ideal LO driver amplifier and provides designers system flexibility and margin when integrating cascaded RF components.
Manufacturability	MSL1 and ESD Class1A (HBM) ratings minimize special handling on production lines.



ELECTRICAL SPECIFICATIONS⁽¹⁾ AT 25°C, Z₀=50Ω, (REFER TO CHARACTERIZATION CIRCUIT, FIG. 1)

Parameter	Condition (GHz)	Min.	Typ.	Max.	Units
Frequency Range		5.0		20.0	GHz
DC Voltage (V _{D1} , V _{D2})			5.0		V
DC Current (I _{D1} +I _{D2})			120	147	mA
Gain	5.0	—	12.2		dB
	8.0	10.0	12.8		
	10.0	10.0	12.4		
	12.0	—	11.8		
	14.0	—	11.5		
	16.0	—	11.6		
	18.0	—	11.3		
Input Return Loss	5.0	—	12.2		dB
	8.0	10.0	14.5		
	10.0	10.0	19.3		
	12.0	—	15.9		
	14.0	—	15.7		
	16.0	10.0	13.8		
	18.0	—	9.2		
Output Return Loss	5.0	—	9.2		dB
	8.0	—	10.6		
	10.0	—	13.1		
	12.0	—	11.6		
	14.0	—	11.8		
	16.0	—	11.3		
	18.0	—	11.3		
Output IP3	5.0	—	27.2		dBm
	8.0	—	26.6		
	10.0	—	25.7		
	12.0	—	25.0		
	14.0	—	24.0		
	16.0	—	22.9		
	18.0	—	22.0		
Output Power @ 1 dB compression	5.0	—	18.1		dBm
	8.0	—	19.1		
	10.0	16.0	18.9		
	12.0	—	18.4		
	14.0	—	18.7		
	16.0	—	19.4		
	18.0	—	20.0		
Noise Figure	5.0	—	9.0		dB
	8.0	—	5.1		
	10.0	—	5.3		
	12.0	—	5.7		
	14.0	—	6.0		
	16.0	—	6.3		
	18.0	—	6.7		
Directivity (Isolation-Gain)			24.0		dB
			0.050		
DC Current Variation vs. Temperature ⁽²⁾			0.002		mA/°C
DC Current Variation vs. Voltage			0.002		mA/mA
Thermal Resistance			53		°C/W

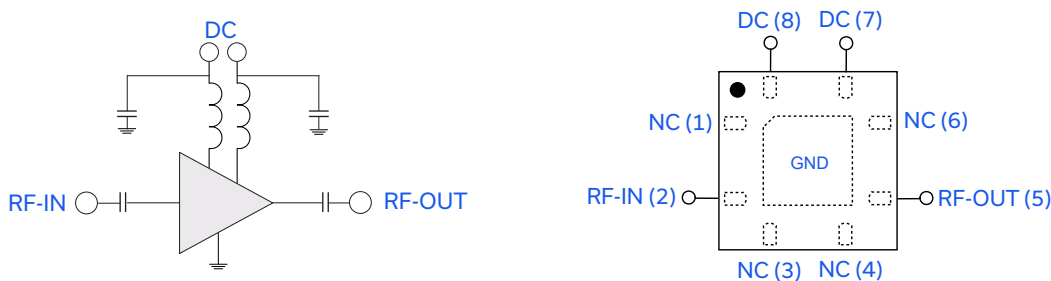


MAXIMUM RATINGS⁽³⁾

Parameter	Ratings
Operating Temperature ⁽⁴⁾	-40°C to 85°C
Storage Temperature	-55°C to 100°C
Channel Temperature	150°C
DC Voltage (Pad 7,8)	+5.5V
Voltage (Pads 2, 5)	+10V
Power Dissipation	860 mW
DC Current (Pad 7+8) at $V_D=5V$	160mA
Input Power	+20 dBm

- (1) Measured on Mini-Circuits Characterization test fixture TB-547-1A+. See Characterization Test Circuit (Fig. 1)
- (2) (Current at 85°C - Current at -45°C)/130
- (3) Permanent damage may occur if any of these limits are exceeded. These maximum ratings are not intended for continuous normal operation.
- (4) Defined with reference to ground pad temperature.

SIMPLIFIED SCHEMATIC AND PAD DESCRIPTION

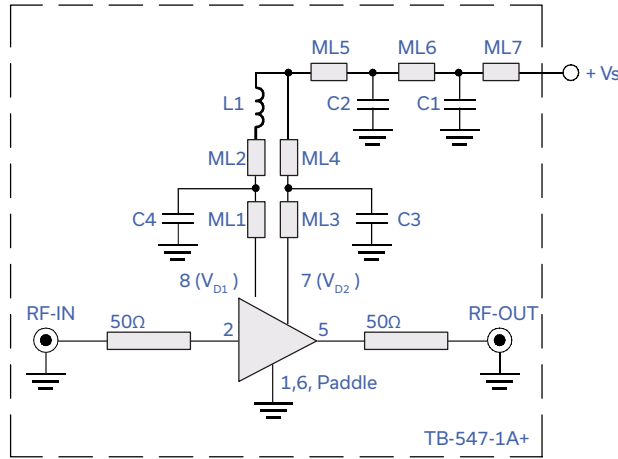


Function	Pad Number	Description (See Application Circuit, Fig. 2)
RF-IN	2	RF input pad
RF-OUT	5	RF output pad
DC	8(V_{D1}), 7 (V_{D2})	DC power supply
GND	paddle in center of bottom	Connected to ground
NOT USED	1,3,4,6	No internal connection; recommended use: per PCB Layout PL-328

*Pseudomorphic High Electron Mobility Transistor.



CHARACTERIZATION TEST CIRCUIT



C1=5.6pF, 0402 (NPO)
C2=18pF, 0402 (NPO)
C3=0.001μF, 0402 (NPO)
C4=0.1 μF, 0402 (X7R)
L1=3.3nH, 0805 (wire wound)

ML1-ML7 are short microstrip lines
Refer to 98-PL-328

Fig 1. Block Diagram of Test Circuit used for characterization. (DUT soldered on Mini-Circuits Characterization Test Board TB-547-1A+) Gain, Output power at 1dB compression (P1dB), Noise Figure, Output IP3 (OIP3) are measured using Agilent's N5242A PNA-X microwave network analyzer.

Conditions:

1. Gain: Pin=-25 dBm
2. Output IP3 (OIP3): Two tones, spaced 1 MHz apart, +8 dBm/tone at output.
3. Vs adjusted for 5V at device (VD1 and VD2), compensating loss of bias lines.

RECOMMENDED APPLICATION CIRCUIT

(refer to evaluation board for PCB Layout and component values)

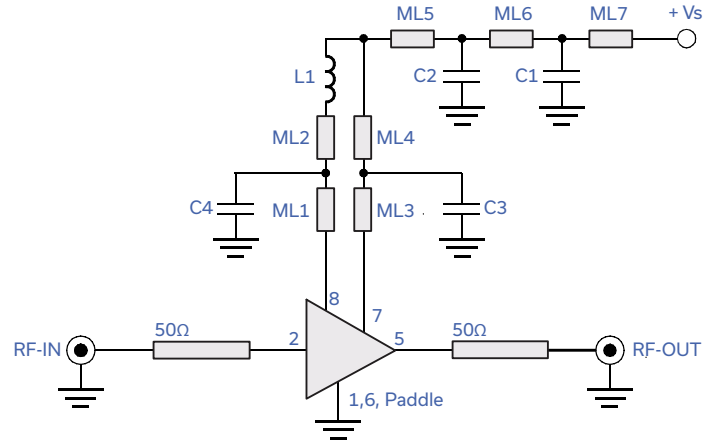


Fig 2. Recommended Application Circuit

PRODUCT MARKING



← black body
← model family designation

Marking may contain other features or characters for internal lot control



ADDITIONAL DETAILED TECHNICAL INFORMATION IS AVAILABLE ON OUR DASH BOARD. TO ACCESS [CLICK HERE](#)

Performance Data	Data Table Swept Graphs S-Parameter (S2P Files) Data Set (.zip file)
Case Style	DQ849 Plastic package, exposed paddle, lead finish: tin silver nickel
Tape & Reel Standard quantities available on reel	F104 7" reels with 10, 20, 50, 100, 200, 500,1K, 2K
Suggested Layout for PCB Design	PL-328
Evaluation Board	TB-547-1A+
Environmental Ratings	ENV08T1

ESD RATING

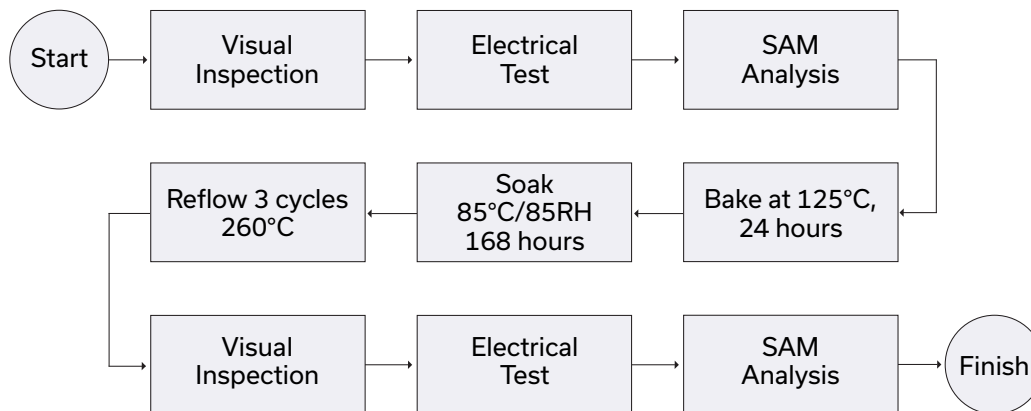
Human Body Model (HBM): 1A (250 to <500V) in accordance with ANSI/ESD STM 5.1 - 2001

Machine Model (MM): M1 (Pass 50V) in accordance with ANSI/ESD STM5.2-1999; passes 25V

MSL RATING

Moisture Sensitivity: MSL1 in accordance with IPC/JEDEC J-STD-020D

MSL TEST FLOW CHART



- NOTES**
- A. Performance and quality attributes and conditions not expressly stated in this specification document are intended to be excluded and do not form a part of this specification document.
 - B. Electrical specifications and performance data contained in this specification document are based on Mini-Circuit's applicable established test performance criteria and measurement instructions.
 - C. The parts covered by this specification document are subject to Mini-Circuits standard limited warranty and terms and conditions (collectively, "Standard Terms"); Purchasers of this part are entitled to the rights and benefits contained therein. For a full statement of the standard. Terms and the exclusive rights and remedies thereunder, please visit Mini-Circuits' website at www.minicircuits.com/MCLStore/terms.jsp