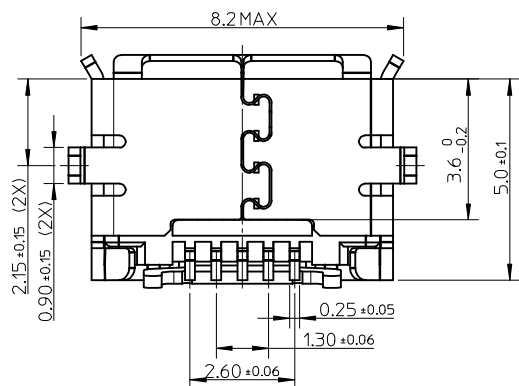


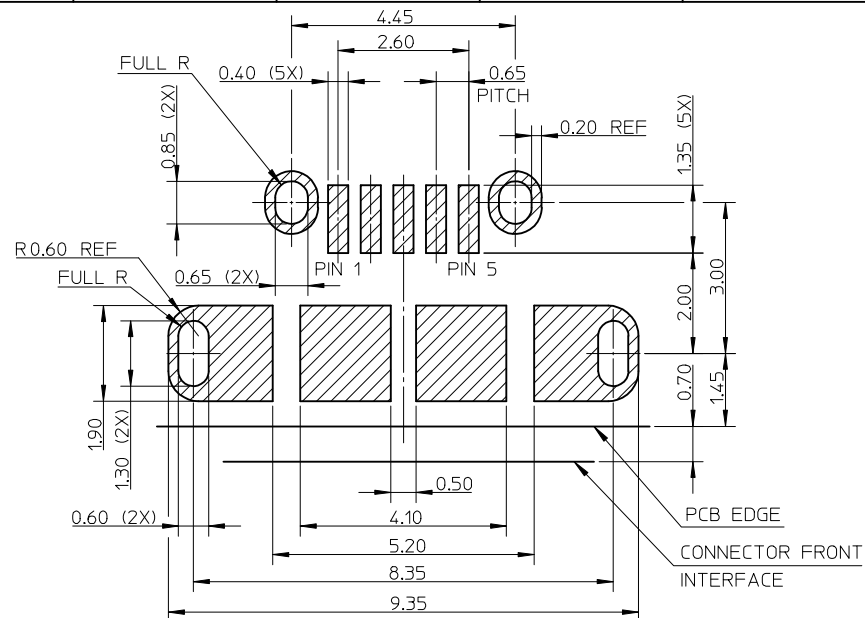
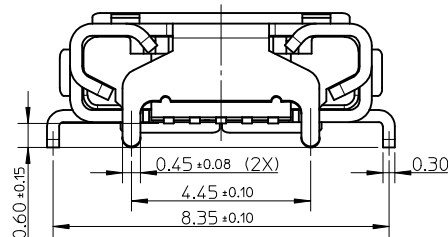
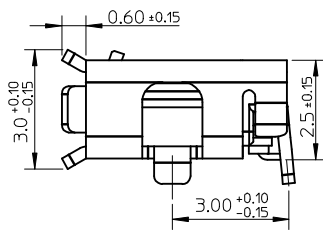
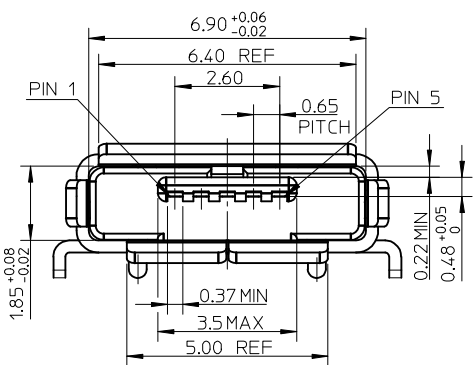
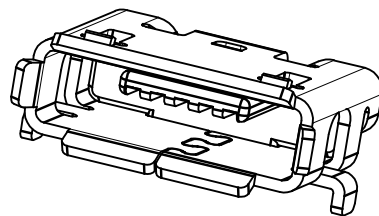
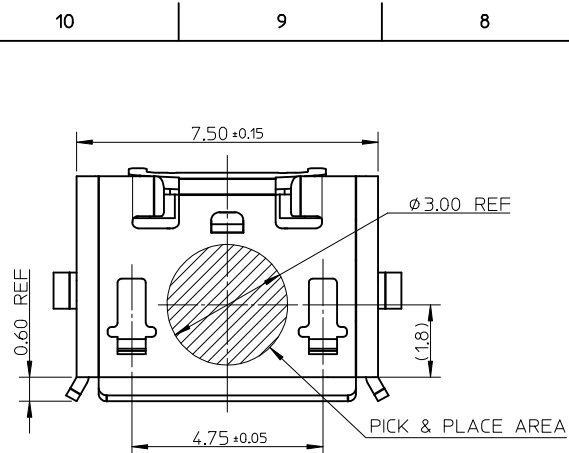
RECOMMENDED P.C.B. PATTERN LAYOUT
GENERAL TOLERANCE: ±0.05

NOTES:

- MATERIAL:
HOUSING: LCP, GRAY, UL94V-0;
TERMINAL: COPPER ALLOY, THICKNESS: 0.15mm;
SHELL: STAINLESS STEEL, THICKNESS: 0.30mm.
- PLATING:
TERMINAL: CONTACT AREA: GOLD FLASH (0.11 MICRON MIN.) OVER MINIMUM 0.75 MICRON Pd/Ni.
SOLDER TAIL AREA: GOLD FLASH (0.05 MICRON MINIMUM).
UNDER PLATING: NICKEL 2.0 MICROMN MINIMUM.
SHELL: MATTE TIN 1.27 MICRON MINIMUM.
UNDER PLATING: NICKEL 1.27 MICRON MINIMUM.
- TAIL COPLANARITY 0.08mm MAXIMUM.
- PRODUCT SPECIFICATION: PS-47589-001.
- PACKAGING SEPCIFICATION: PK-47589-001.
- COMPLIANT TO RoHS DIRECTIVE 2002/95/EC AND ELV 2000/53/EC.



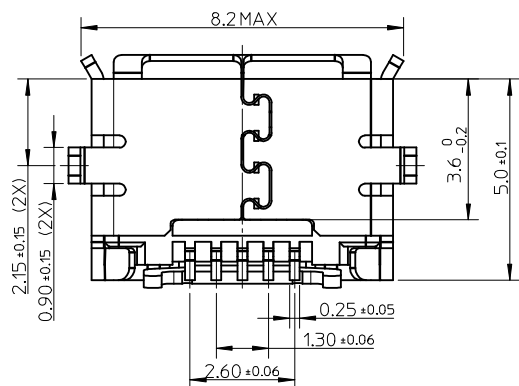
REVISED EC NO: SH2014-0260 DRWN:XOZHANG 2013/12/23 CHKD:XOZHANG 2013/12/23 APPR:AYIN 2014/02/11	QUALITY SYMBOLS F ₀ =0 F ₀ =0 F ₀ =0	GENERAL TOLERANCES (UNLESS SPECIFIED)		DIMENSION STYLE	SCALE	DESIGN UNITS	THIRD ANGLE PROJECTION
		mm	INCH	MM ONLY	1:1	METRIC	
		4 PLACES ± --- ± ---	3 PLACES ± --- ± ---	DRAWN BY	DATE	TITLE	
		2 PLACES ± 0.15 ± ---	1 PLACE ± 0.25 ± ---	XJSONG	2011/05/17	MICRO USB AB REC. BOTTOM MOUNT ASS'Y	
		0 PLACE ± --- ± ---		CHECKED BY	DATE		
				XJSONG	2011/05/17		
				APPROVED BY	DATE		
				RZHANG	2011/09/05		
			ANGULAR ± 3 °	MATERIAL NO.	DOCUMENT NO.		
			DRAFT WHERE APPLICABLE MUST REMAIN WITHIN DIMENSIONS	47589-1001	SD-47589-101		
				SIZE A3	THIS DRAWING CONTAINS INFORMATION THAT IS PROPRIETARY TO MOLEX INCORPORATED AND SHOULD NOT BE USED WITHOUT WRITTEN PERMISSION		
							SHEET NO. 1 OF 1



RECOMMENDED P.C.B. PATTERN LAYOUT
GENERAL TOLERANCE: ±0.05

NOTES:

- MATERIAL:
HOUSING: LCP, GRAY, UL94V-0;
TERMINAL: COPPER ALLOY, THICKNESS: 0.15mm;
SHELL: STAINLESS STEEL, THICKNESS: 0.30mm.
- PLATING:
TERMINAL: CONTACT AREA: GOLD FLASH (0.11 MICRON MIN.) OVER MINIMUM 0.75 MICRON Pd/Ni.
SOLDER TAIL AREA: GOLD FLASH (0.05 MICRON MINIMUM).
UNDER PLATING: NICKEL 2.0 MICROMN MINIMUM.
SHELL: MATTE TIN 1.27 MICRON MINIMUM.
UNDER PLATING: NICKEL 1.27 MICRON MINIMUM.
- TAIL COPLANARITY 0.08mm MAXIMUM.
- PRODUCT SPECIFICATION: PS-47589-001.
- PACKAGING SEPCIFICATION: PK-47589-001.
- COMPLIANT TO RoHS DIRECTIVE 2002/95/EC AND ELV 2000/53/EC.



REVISED EC NO: SH2014-0260 DRWN:XOZHANG 2013/12/23 CHKD:XOZHANG 2013/12/23 APPR:AYIN 2014/02/11	QUALITY SYMBOLS F ₀ =0 F ₀ =0 F ₀ =0	GENERAL TOLERANCES (UNLESS SPECIFIED)		DIMENSION STYLE	SCALE	DESIGN UNITS	THIRD ANGLE PROJECTION
		mm	INCH	MM ONLY	1:1	METRIC	
		4 PLACES ± --- ± ---	3 PLACES ± --- ± ---	DRAWN BY	DATE	TITLE	
		2 PLACES ± 0.15 ± ---	1 PLACE ± 0.25 ± ---	XJSONG	2011/05/17	MICRO USB AB REC. BOTTOM MOUNT ASS'Y	
		0 PLACE ± --- ± ---		CHECKED BY	DATE		
				XJSONG	2011/05/17		
				APPROVED BY	DATE		
				RZHANG	2011/09/05		
			ANGULAR ± 3 °	MATERIAL NO.	DOCUMENT NO.		
			DRAFT WHERE APPLICABLE MUST REMAIN WITHIN DIMENSIONS	47589-1001	SD-47589-101		
				SIZE A3	THIS DRAWING CONTAINS INFORMATION THAT IS PROPRIETARY TO MOLEX INCORPORATED AND SHOULD NOT BE USED WITHOUT WRITTEN PERMISSION		
							SHEET NO. 1 OF 1