



ANATECH ELECTRONICS INC
RF & Microwave Filters & Products

770.5 / 715.5 MHz Connectorized Ceramic Duplexer

Part Number: AM770-715D1158-C



Electrical Specifications

Tx Band: 758-783 MHz
Rx Band: 703-728 MHz
Bandwidth: 25 MHz
Insertion Loss: 2.5 dB Max (2.3 dB Typ.)
Ripple in BW: 0.8 dB Max
VSWR: 1.5:1 Max
Tx Rejection: >45 dB @ 703-728 MHz
Rx Rejection: >45 dB @ 758-783 MHz
Power Handling: 5 Watts Max

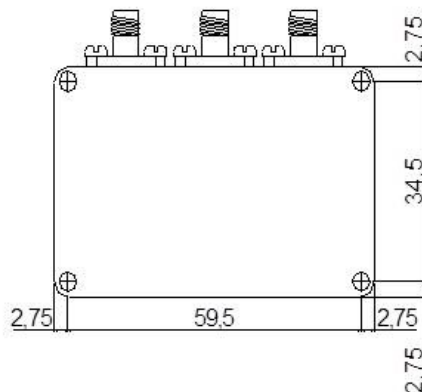
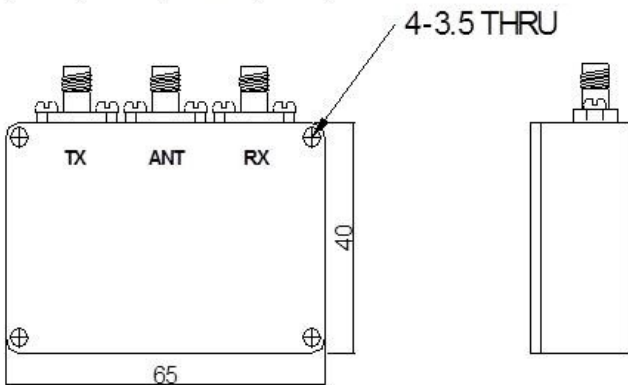
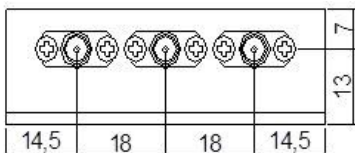
Mechanical

Connector Type: SMA (F)
Dimensions: 65 x 40 x 20 mm

Environmental

Operating Temperature: -40 to +85° C

Outline Drawing:



Unit : mm
Tolerance : ± 0.3